

Terminal element BWM 12-230VAC/DC BK



| | |
|-----------|--------------|
| Part No.: | 640.829.00 |
| Series: | KombiSIGN 71 |



MECHANICAL DATA

| | |
|------------------------------|--------------------------------|
| Height | 43 mm |
| Diameter | 70 mm |
| Materials | PA-GF PC |
| Housing colour | Black |
| Protection category | IP65 |
| Connection | Screw terminals |
| cross-sectional area maximum | 2,50mm ² / 14AWG |
| Cable entry | Through hole |
| Cable entry maximum | d = 11 mm |
| Type of fixing | Base mounting Wall mounting |
| Working temperature minimum | -20°C |
| Working temperature maximum | +50°C |
| Weight with packaging | 1 g |
| Product weight | 1 g |

ELECTRICAL DATA

| | |
|------------------------|--------------------------|
| Operating voltage | 12-230V |
| Operating voltage type | AC/DC |
| Protection class | Protection class 2 |
| Pollution degree | 3 |
| Overvoltage category | II |
| Isolation voltage | Ui = 250V; Uimp = 2.500V |

APPROVAL DATA

| | |
|-------------------------------|-----------------------|
| Conforms with CE | Yes |
| WEEE | Yes |
| Conforms with ATEX-directive | No |
| Conforms with CCC | Yes |
| Conforms with UL | No |
| Conforms with FCC | No |
| Conforms with IC | No |
| EAC certificate available | Yes |
| Conforms with UKCA (Importer) | Yes (WERMA (UK) Ltd.) |
| Conforms with AS-I | No |
| ICAO Certification | No |
| Conforms with DNV | No |
| Conforms with RoHS CN | No |

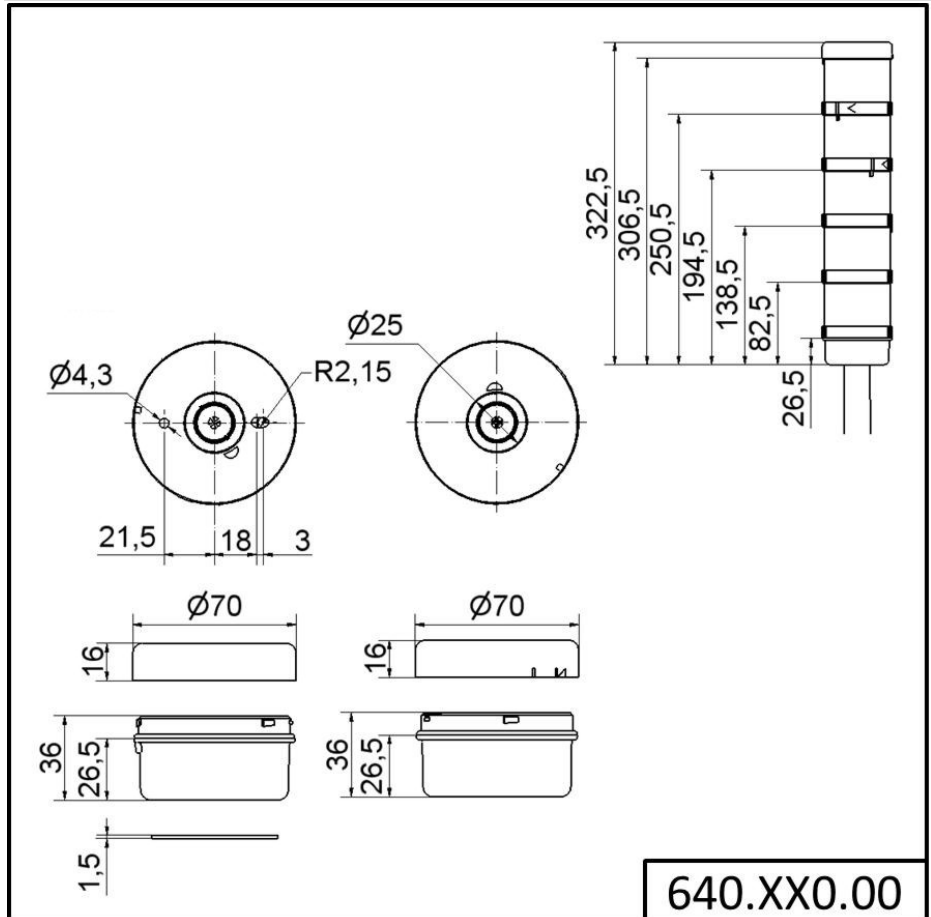


For additional installation and mounting information, refer to the appropriate user guide at www.werma.com. This printed copy is for information only and is subject to alteration.

Terminal element BWM 12-230VAC/DC BK

| | |
|-------------------|----|
| Conforms with Vds | No |
|-------------------|----|

DRAWING



! For additional installation and mounting information, refer to the appropriate user guide at www.werma.com. This printed copy is for information only and is subject to alteration.