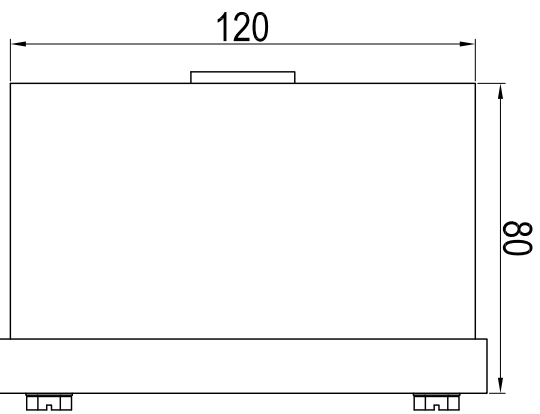
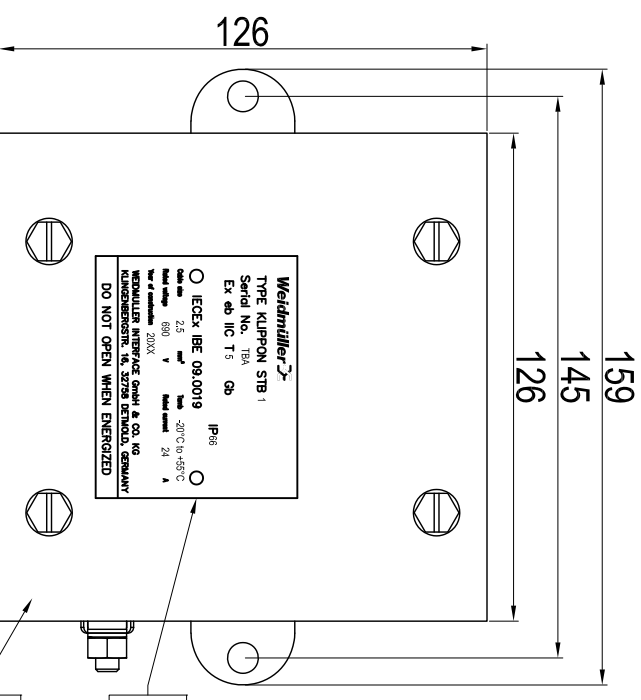


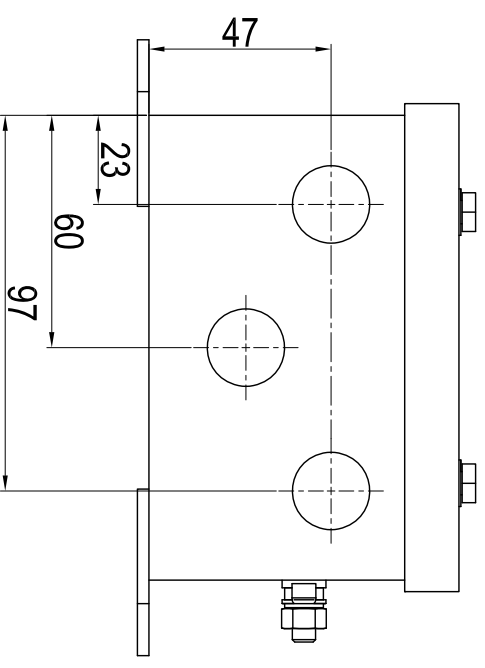
NOTES:
1. WDU 2.5 TERMINALS ARE TO BE MARKED 1-6 ON BOTH SIDES AND WPE 2.5 TERMINALS ARE TO BE MARKED 7-9 ON BOTH SIDES.



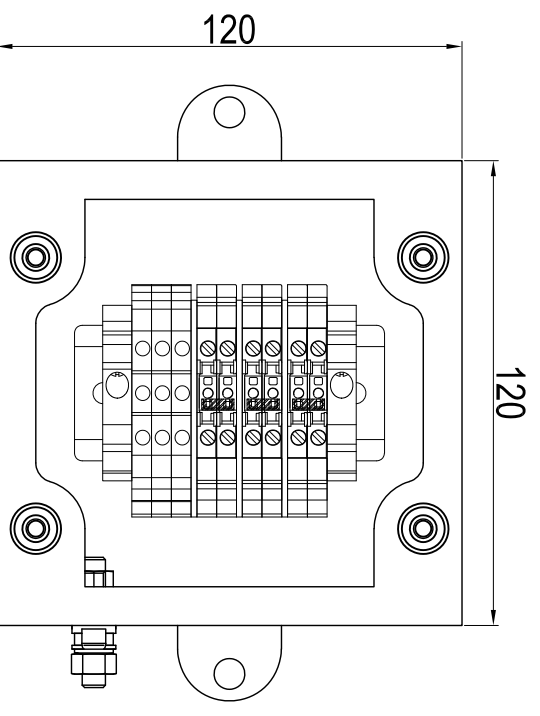
LHS ELEVATION



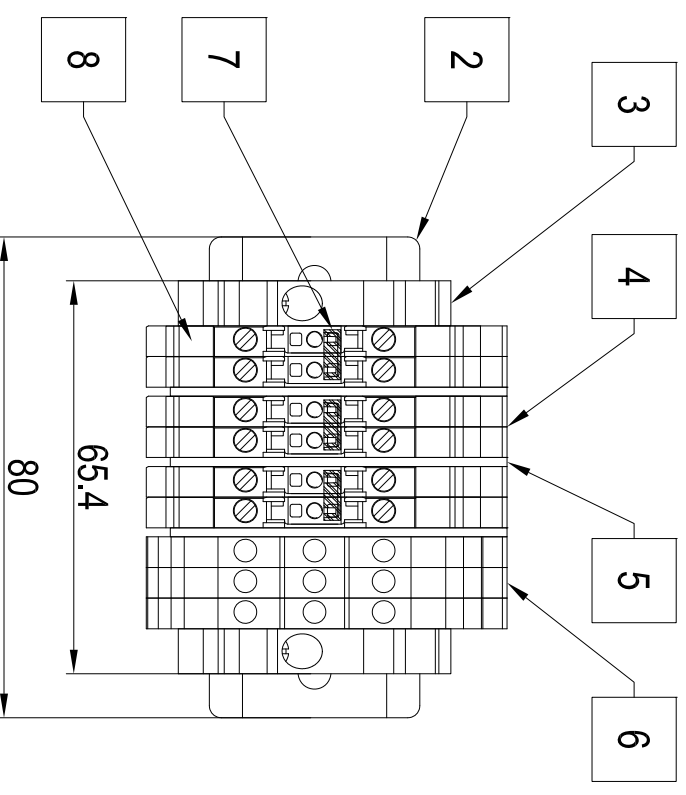
FRONT ELEVATION



BOTTOM ENTRY DETAILS
3x M20 CLEARANCE HOLES
TOLERANCE = ± 0.2mm



FRONT ELEVATION
LID REMOVED



TERMINAL RAIL ASSEMBLY DETAILS
NOT TO SCALE

ITEM	PART No.	QTY	DESCRIPTION
9	ELZ-60X35-SS	1	SS316 2B 60X35X0.9 2X3.5
8	1609801044	18	DEK 5/5 MC NE WS - TERMINAL MARKERS (SEE NOTE 1)
7	1693800000	3	ZQV 2.5N/2 GE - CROSS CONNECTION
6	1010000000	3	WPE 2.5 - PE TERMINAL
5	1050100000	3	WAP 16+35 WTW 2.5-10 - PARTITION PLATE
4	1020000000	6	WDU 2.5 - FEED-THROUGH TERMINAL
3	0383560000	2	EW 35 - END BRACKET
2	1747350000	1	RAIL TS 35 S/S (80mm LENGTH)
1	1002690000	1	KLIFFON STB 1 SS

ALL DIMENSIONS ARE IN MILLIMETRES UNLESS OTHERWISE STATED

REV.	DATE	DRAWN	CHECKED	ISSUED FOR APPROVAL	REVISION
A	23/05/23	A.P.	S.M		
1					

Weidmüller

WEIDMÜLLER PTY. LTD.
ABN 98 000938 590
4/3 HUNTINGWOOD DRIVE, HUNTINGWOOD NSW 2148
P.O. BOX 6914, BLACKTOWN NSW 2148 AUSTRALIA
TELEPHONE: +61 (02) 9671 9999 FACSIMILE: +61 (02) 9671 9911
EMAIL: info@weidmuller.com.au

DRAWN	DATE	CHECKED	APPROVED	SCALE	TITLE	DRAWING No.
A.PASALODOS	23/05/2023	S.MORT		1:2	WEIDMULLER AUSTRALIA PTY LTD STB 1 6XWDU2.5 & 3XWPE2.5 GENERAL ARRANGEMENT	8000117792
					PART No. 8000117792	

REVISION	SHEET 1 OF 1
A	A3