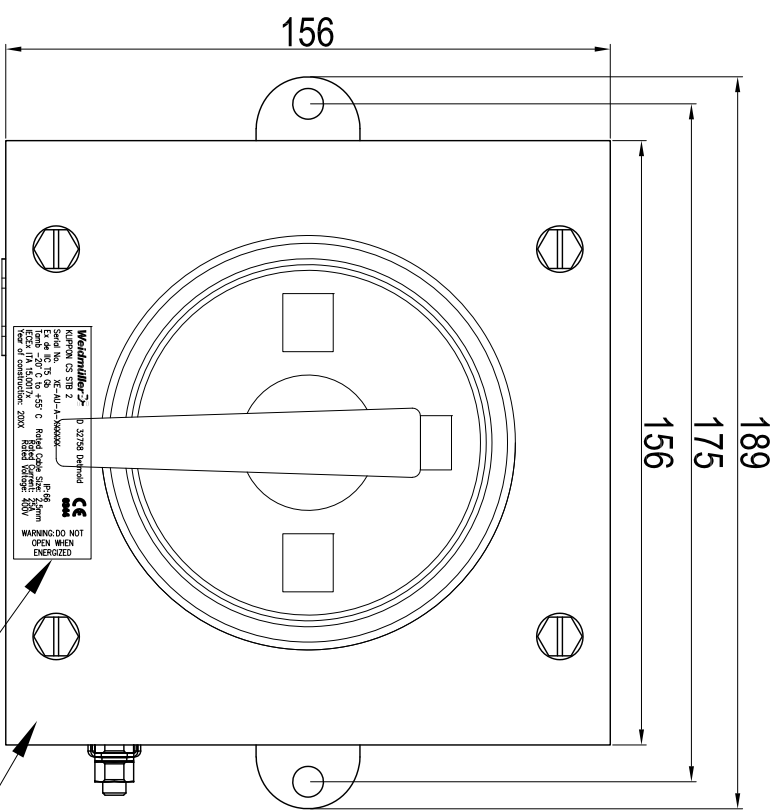
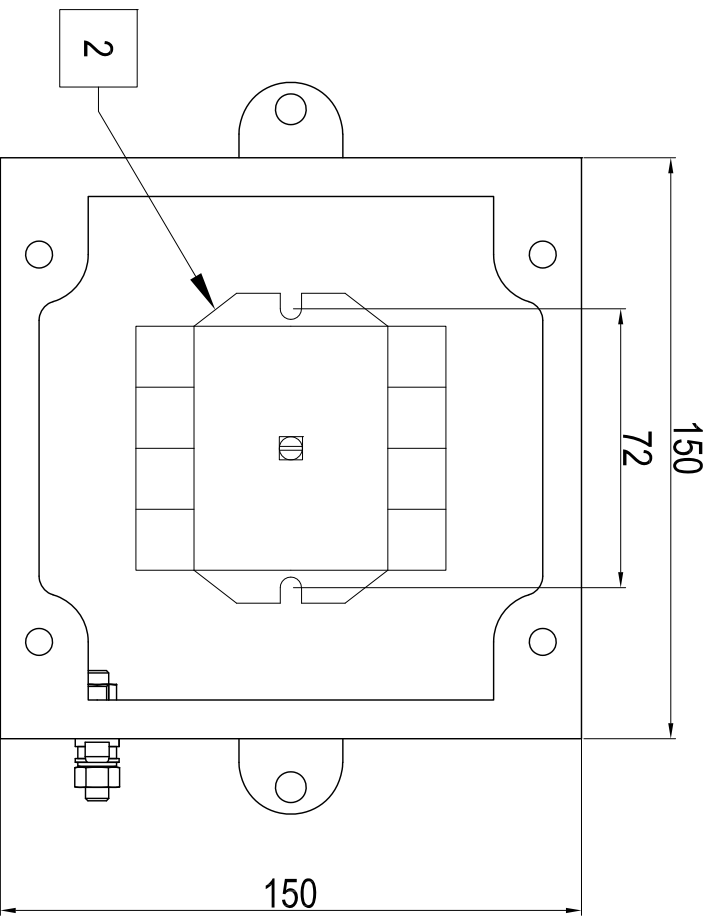


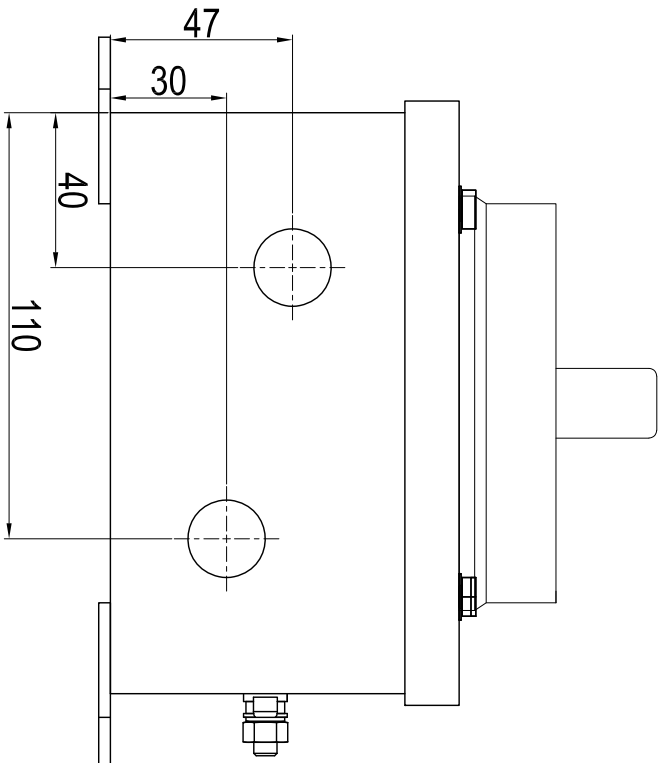
LHS ELEVATION



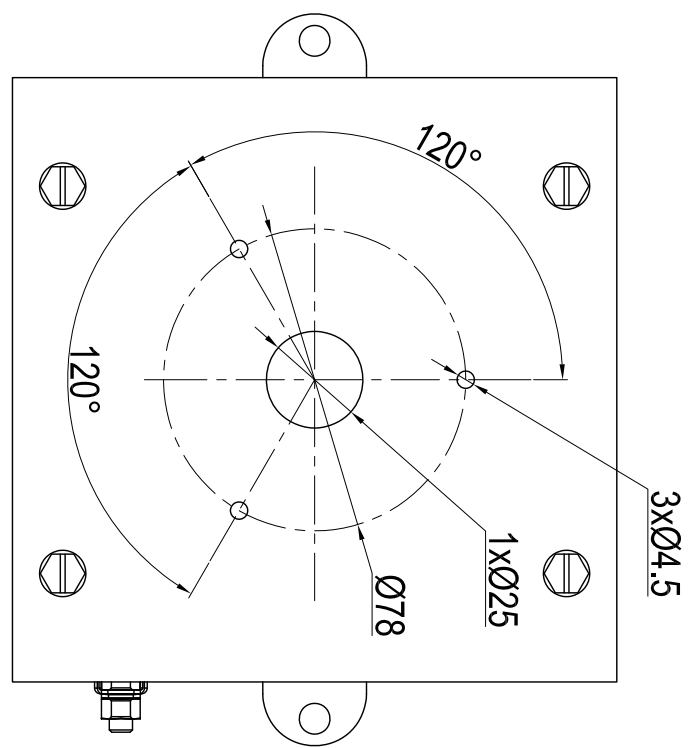
FRONT ELEVATION



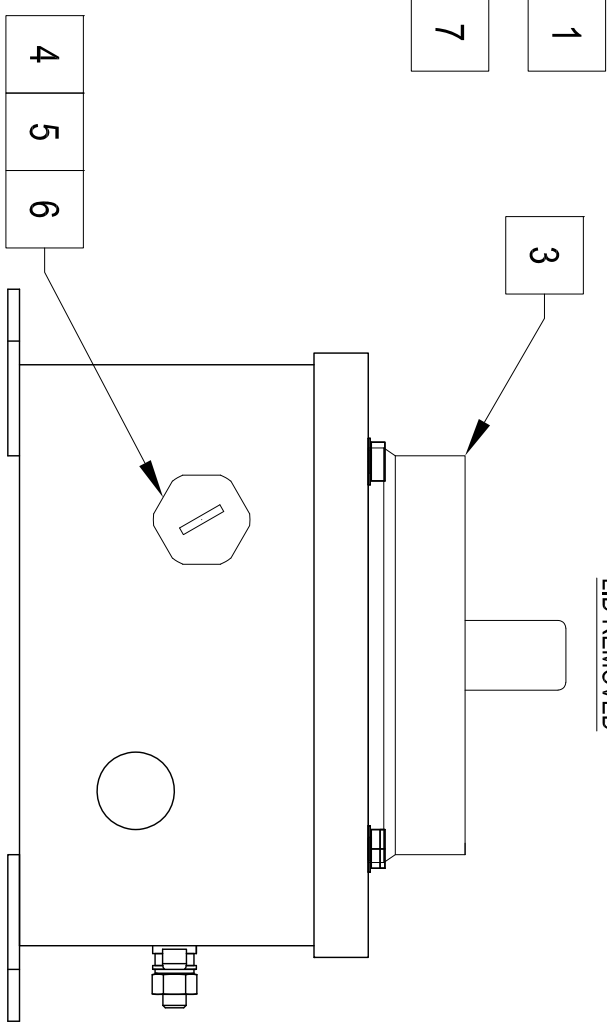
FRONT ELEVATION  
LID REMOVED



BOTTOM ENTRY DETAILS  
2x M20 CLEARANCE HOLES  
TOLERANCE = ± 0.2mm



FRONT CUTOUT DETAILS  
3x 4.5mm HOLE  
1x25mm HOLE



BOTTOM ELEVATION

ITEM	PART No.	QTY	DESCRIPTION
1	1002740000	1	KLIIPPON STB 2 SS
2	CZ0513-25A/3P	1	LOAD ISOLATION SWITCH MODULE
3	CZ8000-8003/3DB1	1	LOAD ISOLATION SWITCH HANDLE
4	1737080000	1	VP M20-EXE SW
5	1736930000	1	SKMU M20 K BLACK
6	1736240000	1	GWDR M20-NP SEALING WASHER
7	-	1	ALUMINIUM FOIL CERTIFICATION LABEL

ALL DIMENSIONS ARE IN MILLIMETRES UNLESS OTHERWISE STATED

**Weidmüller**



WEIDMÜLLER PTY. LTD.  
ABN 98 000938 590  
4/3 HUNTINGWOOD DRIVE, HUNTINGWOOD NSW 2148  
P.O. BOX 6944, BLACKTOWN NSW 2148 AUSTRALIA  
TELEPHONE: +61 (02) 9671 9999 FACSIMILE: +61 (02) 9671 9911  
EMAIL: info@weidmuller.com.au

REV.	DATE	DRAWN	CHECKED	ISSUED FOR APPROVAL	REVISION
A	23/05/23	A.P.	S.M	ISSUED FOR APPROVAL	

DRAWN	DATE	CHECKED	APPROVED	SCALE	TITLE	DRAWING No.
A.PASALODOS	23/05/2023	S.MORT		1:2	WEIDMULLER AUSTRALIA PTY LTD KCSL STB 2 EXDE 25A OP-1 GENERAL ARRANGEMENT	8000117791
					PART No. 8000117791	

REVISION	SHEET	OF	NO.
A	1	1	A3

CAD FILE No. 8000117791

8000117791