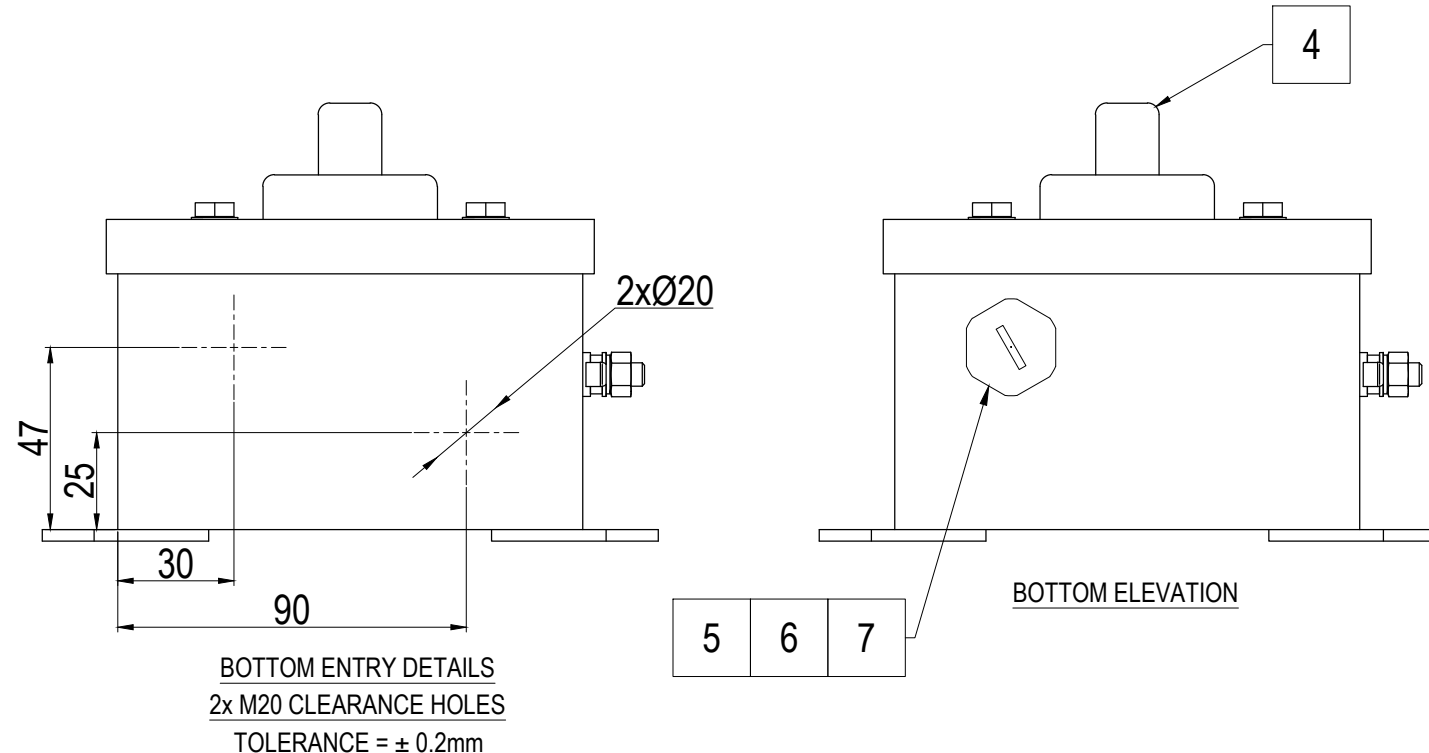
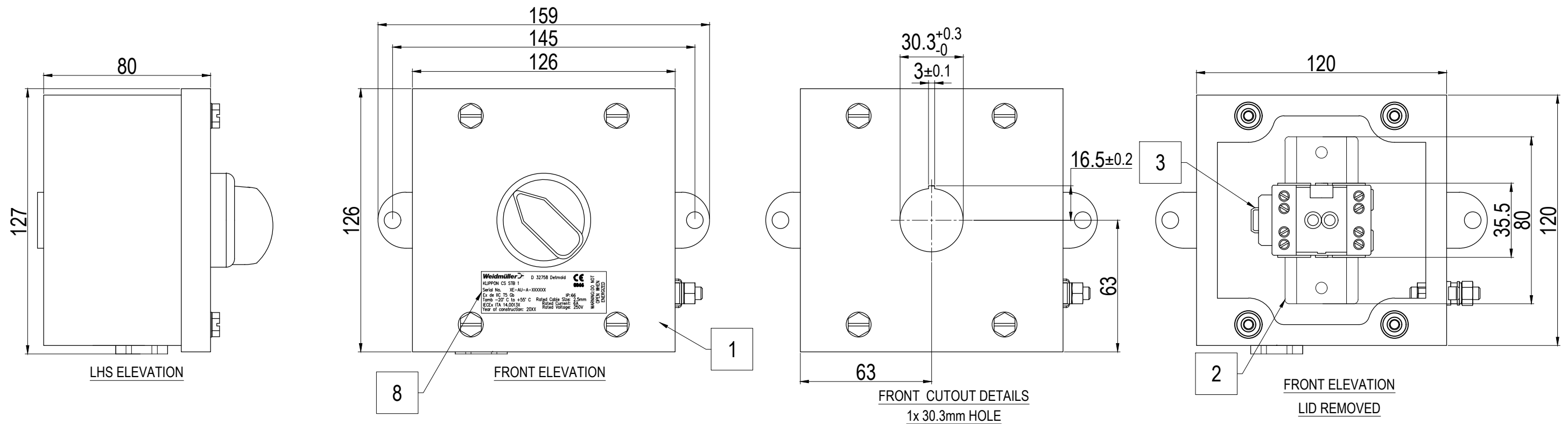


NOTES:

1. TERMINAL RAIL WILL NEED TO BE NOTCHED TO FIX THE CONTACT BLOCK ON THE RAIL.



ITEM	PART No.	QTY	DESCRIPTION
8	-	1	ALUMINIUM FOIL CERTIFICATION LABEL
7	1736240000	1	GWDR M20-NP SEALING WASHER
6	1736930000	1	SKMU M20 K BLACK
5	1737080000	1	VP M20-EXE SW
4	7940129482	1	CZ4999-KB6201 2-POS SWITCH - LATCHING
3	7940129484	1	CZ0201-62SL SWITCH DIN-RAIL MOUNTED 2x N/O CONTACTS
2	1747350000	1	RAIL TS 35 S/S (80mm LENGTH)
1	1002690000	1	KLIPPON STB 1 SS

ALL DIMENSIONS ARE IN MILLIMETRES UNLESS OTHERWISE STATED

REV.	DATE	DRAWN	CHECKED	REVISION
B	29/05/23	A.P.	S.M.	APPROVED FOR CONSTRUCTION (P. OVERTON PA)
A	23/05/23	A.P.	S.M.	ISSUED FOR APPROVAL

**Weidmüller**

WEIDMULLER PTY. LTD.  
 ABN 98 000938 590  
 43 HUNTINGWOOD DRIVE, HUNTINGWOOD NSW 2148  
 P.O. BOX 6944 BLACKTOWN NSW 2148 AUSTRALIA  
 TELEPHONE: +61 (02) 9671 9999 FACSIMILE: +61 (02) 9671 9911  
 EMAIL: info@weidmuller.com.au

DRAWN	A.PASALODOS	TITLE	WEIDMULLER AUSTRALIA PTY LTD		DRAWING No.	8000117788	
DATE	29/05/2023		2-POS SWITCH EX DE STB 1				
CHECKED	S.MORT		GENERAL ARRANGEMENT				
APPROVED	S.MORT	PART No.	8000117788		REVISION	B	
SCALE	1:2				SHEET 1 OF 1	A3	