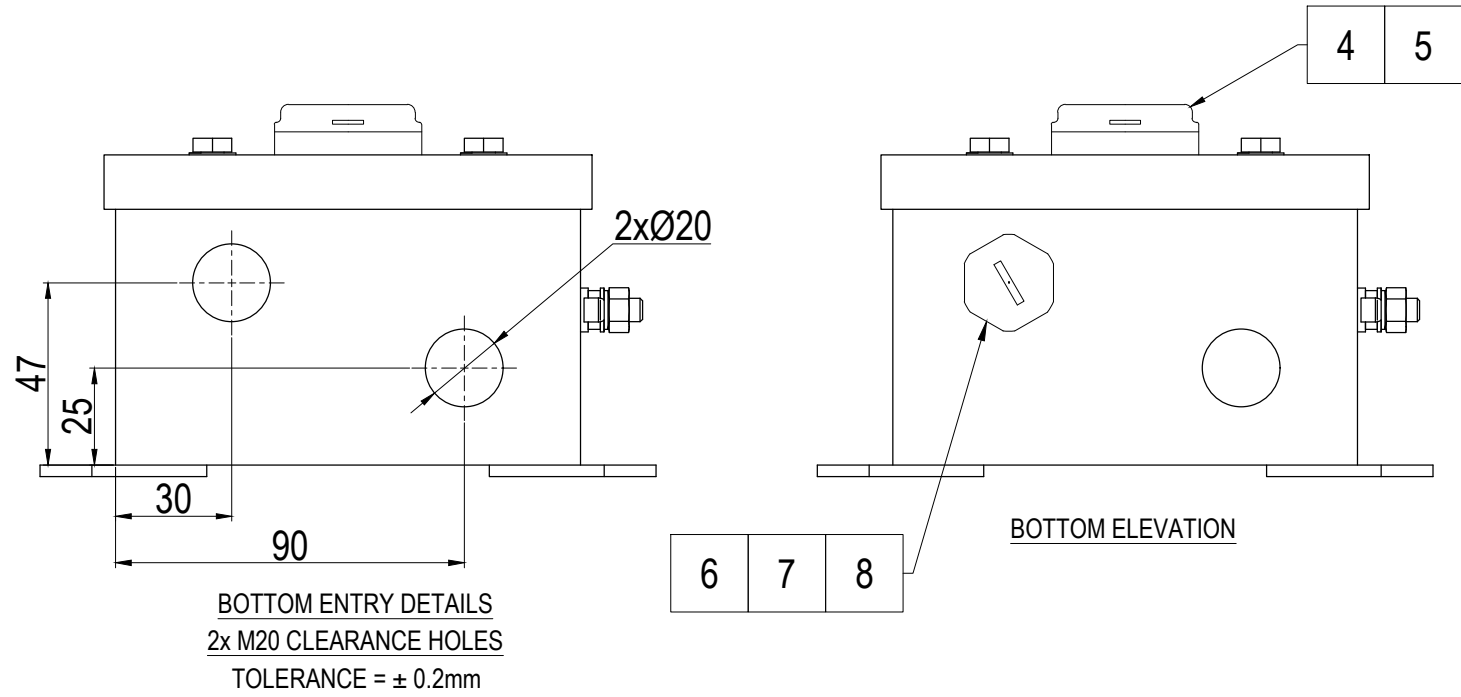
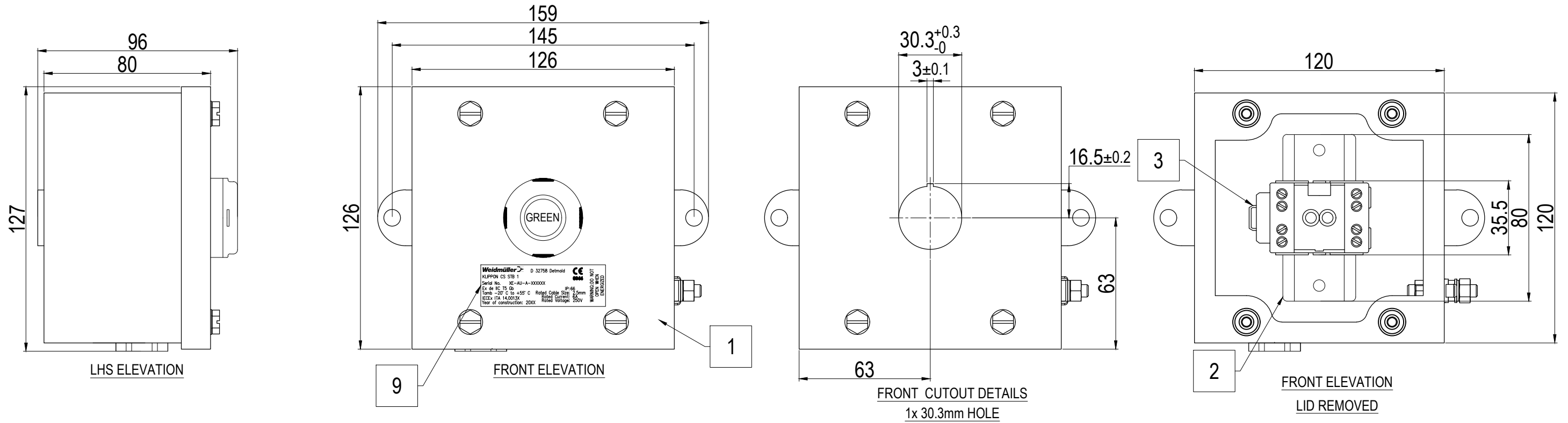


NOTES:

1. TERMINAL RAIL WILL NEED TO BE NOTCHED TO FIX THE CONTACT BLOCK ON THE RAIL.



ITEM	PART No.	QTY	DESCRIPTION
9	-	1	ALUMINIUM FOIL CERTIFICATION LABEL
8	1736240000	1	GWDR M20-NP SEALING WASHER
7	1736930000	1	SKMU M20 K BLACK
6	1737080000	1	VP M20-EXE SW
5	7940129470	1	P000-01 GREEN BUTTON TAB
4	7940129469	1	CZ4000-P1 MOMENTARY PUSHBUTTON
3	4000003904	1	CZ0201-60SL SWITCH DIN-RAIL MOUNTED 1x N/O & 1x N/C CONTACTS
2	1747350000	1	RAIL TS 35 S/S (80mm LENGTH)
1	1002690000	1	KLIPPON STB 1 SS

ALL DIMENSIONS ARE IN MILLIMETRES UNLESS OTHERWISE STATED

REV.	DATE	DRAWN	CHECKED	REVISION
B	29/05/23	A.P.	S.M.	APPROVED FOR CONSTRUCTION (P. OVERTON PA)
A	23/05/23	A.P.	S.M.	ISSUED FOR APPROVAL

Weidmüller

WEIDMULLER PTY. LTD.
 ABN 98 000938 590
 43 HUNTINGWOOD DRIVE, HUNTINGWOOD NSW 2148
 P.O. BOX 6944 BLACKTOWN NSW 2148 AUSTRALIA
 TELEPHONE: +61 (02) 9671 9999 FACSIMILE: +61 (02) 9671 9911
 EMAIL: info@weidmuller.com.au

DRAWN	A.PASALODOS	TITLE	WEIDMULLER AUSTRALIA PTY LTD GREEN BUTTON EX DE STB 1 GENERAL ARRANGEMENT	DRAWING No.	8000117787
DATE	29/05/2023	CHECKED	S.MORT	REVISION	B
APPROVED	S.MORT	SCALE	1:2	SHEET 1 OF 1	A3
PART No. 8000117787		THE COPYRIGHT OF THIS DOCUMENT IS RESERVED TO WEIDMULLER PTY. LTD., AND THE INFORMATION CONTAINED HEREIN IS CONFIDENTIAL. IT IS ISSUED ON THE CONDITION THAT IT IS NOT DISCLOSED TO A THIRD PARTY WITHOUT THE CONSENT IN WRITING FROM WEIDMULLER PTY. LTD.			