

SRC-I QV S**Weidmüller Interface GmbH & Co. KG**

Klingenbergstraße 26

D-32758 Detmold

Germany

www.weidmueller.com

Product image

Cross-connection for the sockets in the D-SERIES DRI.

General ordering data

Version	RIDERSERIES RCI, Cross-connector
Order No.	1132070000
Type	SRC-I QV S
GTIN (EAN)	40322489 12087
Qty.	10 pc(s).

Creation date 07 February 2022 03:13:18 CET

Catalogue status 03.02.2022 / We reserve the right to make technical changes.

SRC-I QV S

Weidmüller Interface GmbH & Co. KG
 Klingenbergstraße 26
 D-32758 Detmold
 Germany

www.weidmueller.com

Technical data

Dimensions and weights

Net weight 6.6 g

Temperatures

Storage temperature -40 °C...85 °C Operating temperature -40 °C...85 °C

Cross-connection data

Rated current	12 A	Insulation	Yes
Touch-safe protection	Yes	Colour	white
Number of cross-connected terminals	8	Pitch in mm (P)	15.2 mm
Version	can be cut to length		

General data

Version can be cut to length Colour white

Connection data

Pitch in mm (P) 15.2 mm

Classifications

ETIM 6.0	EC002586	ETIM 7.0	EC002586
ETIM 8.0	EC002586	ECLASS 9.1	27-37-16-92
ECLASS 10.0	27-37-16-92	ECLASS 11.0	27-37-16-92

Approvals

Approvals



ROHS Conform

Downloads

Engineering Data	CAD data – STEP
Engineering Data	EPLAN, WSCAD
Catalogues	Catalogues in PDF-format
Brochures	

SRC-I QV S

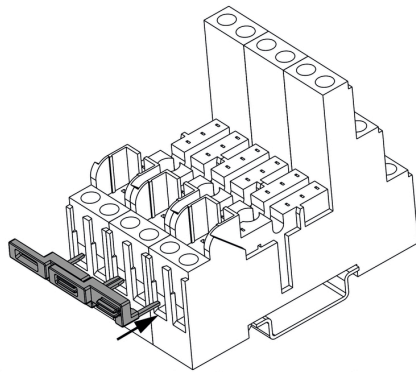
Weidmüller Interface GmbH & Co. KG
 Klingenbergstraße 26
 D-32758 Detmold
 Germany

www.weidmueller.com

Drawings

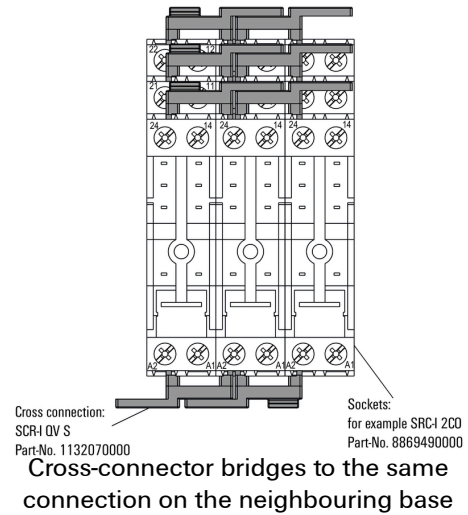
Example of use

How to install cross connection



Plug the cross connection into wire-connection opening
 and fix it with tighten the screw
 Plug the cross-connection in the cable connections

Example of use



Cross connection:
 SRC-I QV S
 Part-No. 1132070000
 Sockets:
 for example SRC-I 2CO
 Part-No. 8869490000
 Cross-connector bridges to the same
 connection on the neighbouring base