

SPARTAN SPX Linear - Wildlife Friendly LED Zone 1/21 Linear Luminaire

rayTEC®



Intelligent Emergency
Variants



Easy to Maintain

Key components such as the LED and PSU modules are easily accessible for straightforward maintenance and inspection.



Intelligent Emergency

Self-testing emergency battery providing up to 3 hours emergency back-up.



Retrofitable

Linear has been designed with the same dimensions, fixing centres and cable entries as traditional fluorescent fittings making it a direct replacement.



Wildlife Friendly

Lumen Outputs, CCT and Spectral Distribution modified to suit specific, turtle friendly, environmental requirements.

5 YEAR WARRANTY

All Raytec luminaires are provided with an industry leading 5 year warranty and have an expected useful life in excess of 10 years. See Warranty Statement for details.



Technical Specifications

Variants covered:

- WL84-3K-A-DD
- WL84-3K-A-DDD
- WL168-3K-A-DD
- WL168-3K-A-DDD

Certification

ATEX Rating	ATEX UKEX and IEC Ex rated for Gas and Dust
Hazardous Area Rating	Zone 1 (Gas), Zone 21(Dust)
Certificates	CML14ATEX3119 & IECExCML15.0001 & CML21UKEX3105
Gas	II 2 G D Ex eb mb IIC T4 Gb Ta= -40°C to +60°C (-20°C to +50°C for emergency variants) (T6 variants also available - contact Raytec)
Dust	Ex tb IIC T80°C Db Ta= -40°C to +60°C (-20°C to +50°C for emergency variants)
ABS Certificate #	ABS Certificate # 20-1990083-PDA

Electrical

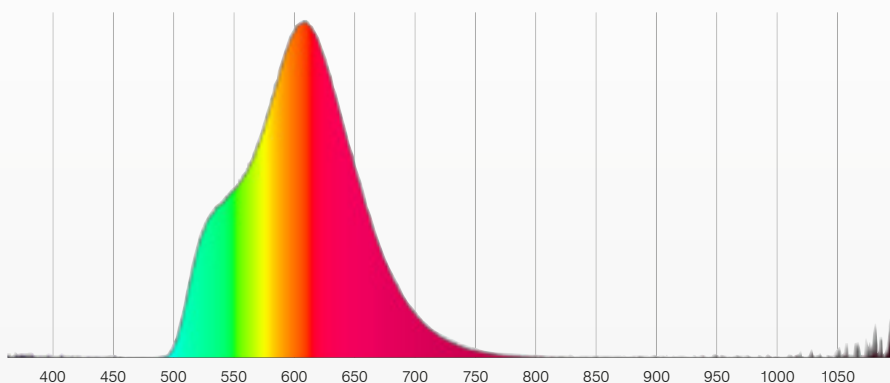
	WL84	WL84 Emergency	WL168	WL168 Emergency
Input	Standard: 110-254Vac 50/60Hz 110-254Vdc * Low voltage version: 18-48V AC and 18-69V DC Extra low voltage version: 12V AC/DC	110-254V 50/60Hz AC only	Standard: 110-254Vac 50/60Hz 110-254Vdc * Low voltage version: 18-48V AC and 18-69V DC Extra low voltage version: 12V AC/DC	110-254V 50/60Hz AC only
Power	24W	32W	49W	56W
Termination	Incoming terminal block suitable for looping 4 core 4mm ² cable (6mm ² available - POA)			
Power Factor	>0.95	>0.95	>0.95	>0.95
Cable Entries	2xM20 cable entries at both ends, through wired as standard (other entries available upon request), dispatched complete with three ATEX/IEC Ex/UKEX approved blanking plugs			

*T6 variant is AC Only.

Optical

	WL84	WL84 Emergency	WL168	WL168 Emergency
Lumen output on mains	1,796 lm (-DD variants) 1,396 lm (-DDD variants)	1,796 lm (-DD variants) 1,396 lm (-DDD variants)	3,592 lm (-DD variants) 2,792 lm (-DDD variants)	3,592 lm (-DD variants) 2,792 lm (-DDD variants)
LED type	Platinum Elite SMT LEDs	Platinum Elite SMT LEDs	Platinum Elite SMT LEDs	Platinum Elite SMT LEDs
Number of LEDs	80	80	160	160
CRI	64 (-DD variants) 66 (-DDD variants)	64 (-DD variants) 66 (-DDD variants)	64 (-DD variants) 66 (-DDD variants)	64 (-DD variants) 66 (-DDD variants)
Colour Temperature	2441K (-DD variants) 2350K (-DDD variants)	2441K (-DD variants) 2350K (-DDD variants)	2441K (-DD variants) 2350K (-DDD variants)	2441K (-DD variants) 2350K (-DDD variants)

Spectral Distribution Chart

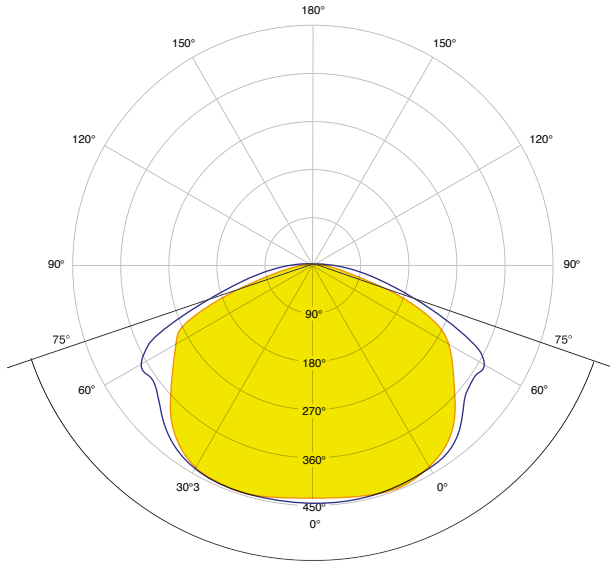


Technical Specifications

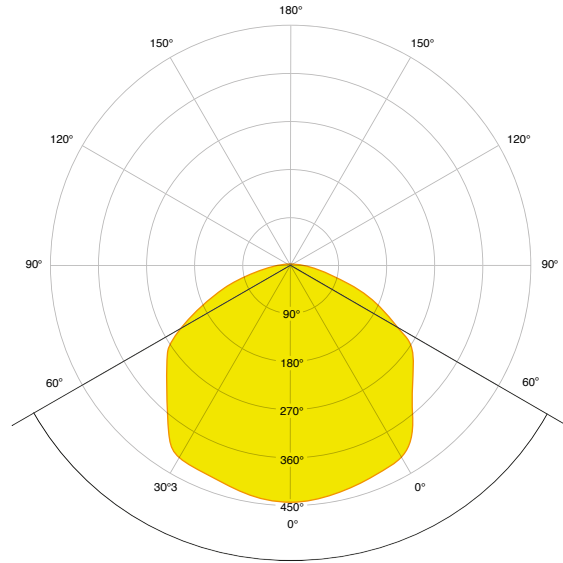
Mechanical	WL84	WL84 Emergency	WL168	WL168 Emergency
Burning Position	Universal	Universal	Universal	Universal
IP Rating	IP66 & IP67	IP66 & IP67	IP66 & IP67	IP66 & IP67
IK Rating	IK10	IK10	IK10	IK10
Temperature Range	-40°C to +60°C	-20°C to + 50°C	-40°C to +60°C	-20°C to + 50°C
Weight	6kg (13.2lbs)	7kg (15.4lbs)	9kg (19.8lbs)	10kg (22lbs)
Enclosure	Marine grade aluminium epoxy powder coated, UV stabilised polycarbonate, all external fasteners and brackets are marine grade stainless steel			
Unit Colour	Silver (RAL 9006)	Silver (RAL 9006) Red (RAL3024) - Emergency battery cover	Silver (RAL 9006)	Silver (RAL 9006) Red (RAL3024) - Emergency battery cover
Installation instructions	Please see document 0920-D-00042 at www.raytecltd.com			
Battery Care	Please see document 0010-D-00001 at www.raytecltd.com			
Dimensions	See dimensional sketches			
Mounting	Via M8/M6 tapped holes. Various mounting arrangements available (please see product overview guide)			

Intelligent Emergency	WL84 Emergency	WL168 Emergency
Function	Self-testing intelligent emergency	Self-testing intelligent emergency
System health indicator	Tri-colour LED indicator	Tri-colour LED indicator
Emergency Duration	Up to 3hrs @ 25% power Other options available	Up to 3hrs @ 25% power Other options available
Emergency Battery	Ni/Cd 12V	Ni/Cd 12V
Emergency Charge Time	20 hours	20 hours

Light Distribution



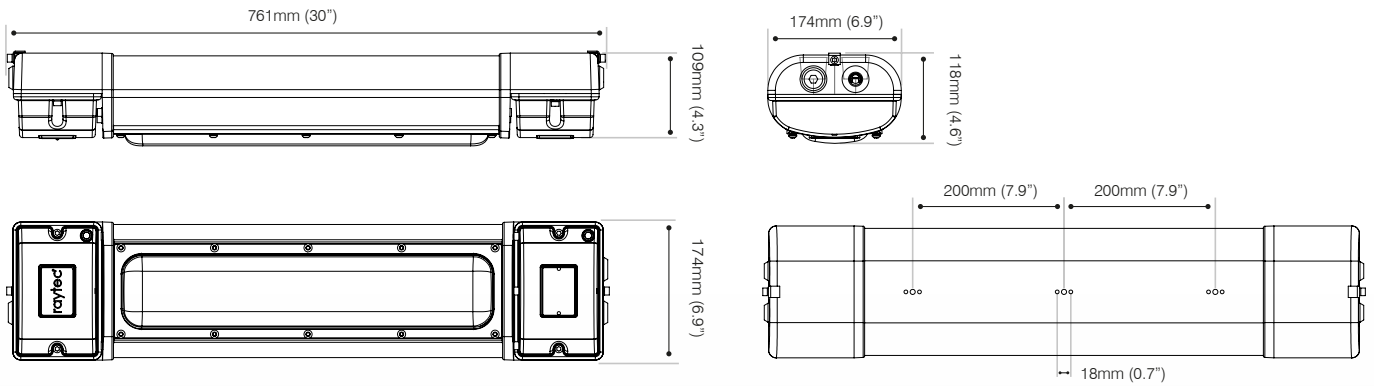
WL84-3K-A-DD
WL168-3K-A-DD



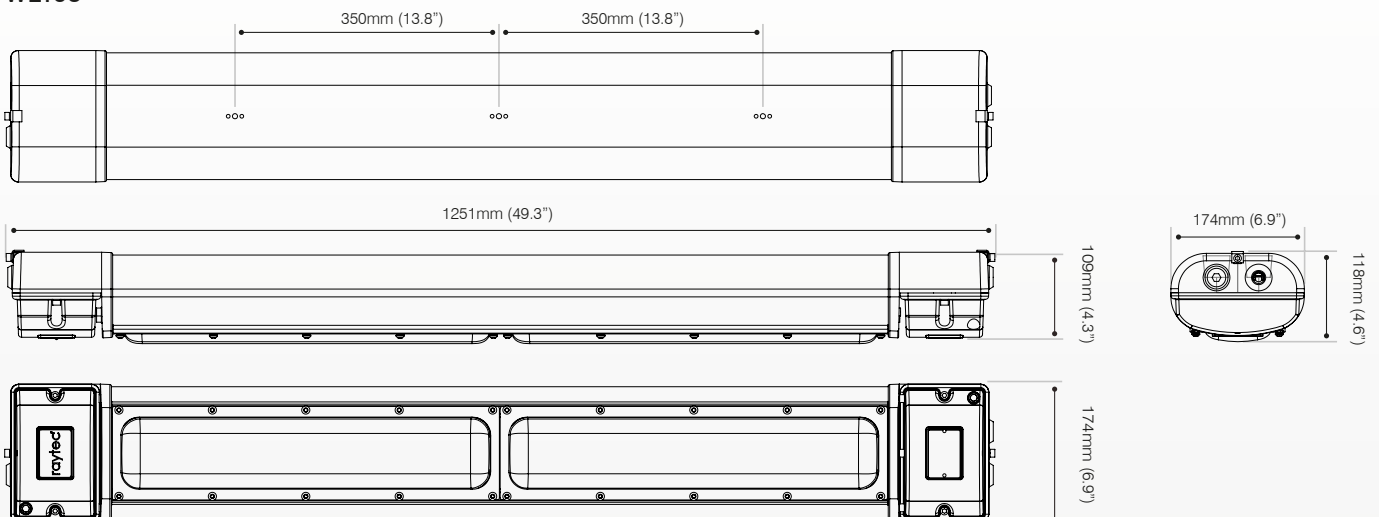
WL84-3K-A-DDD
WL168-3K-A-DDD

Product Dimensions

WL84, WL84 Emergency

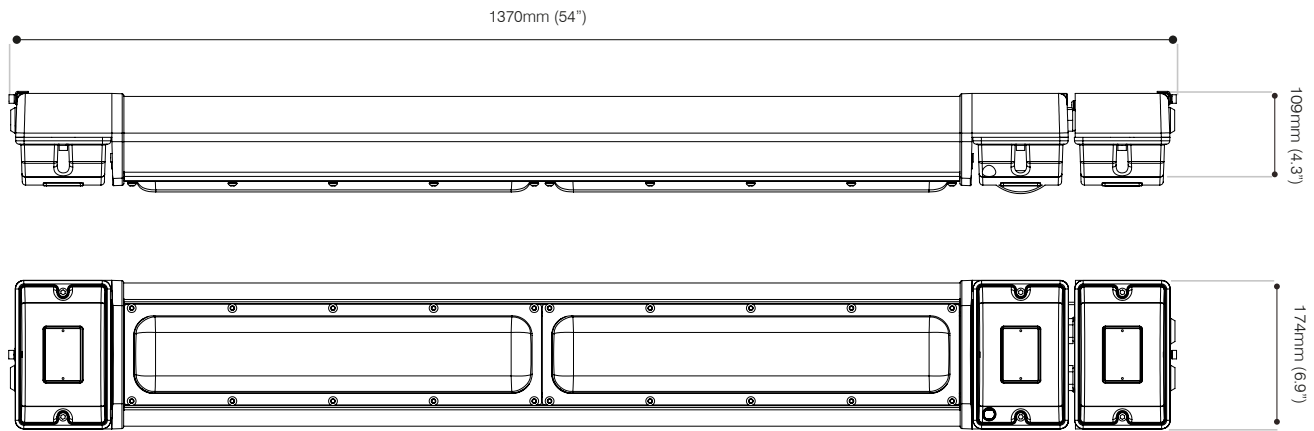


WL168



Product Dimensions

WL168 Emergency



Part Codes

Part Code	Description
SPX-WL84-3K-A-DD	SPARTAN Linear WL84, Zone 1 / 21, 80 LED, Wildlife Friendly
SPX-WL84-EMX25-3K-A-DD	SPARTAN Linear WL84, Zone 1 / 21, 80 LED, Wildlife Friendly, Intelligent Emergency
SPX-WL84-3K-A-DDD	SPARTAN Linear WL84, Zone 1 / 21, 80 LED, Wildlife Friendly, Reduced Output
SPX-WL84-EMX25-3K-A-DDD	SPARTAN Linear WL84, Zone 1 / 21, 80 LED, Wildlife Friendly, Reduced Output, Intelligent Emergency
SPX-WL168-3K-A-DD	SPARTAN Linear WL168, Zone 1 / 21, 160 LED, Wildlife Friendly
SPX-WL168-EMX25-3K-A-DD	SPARTAN Linear WL168, Zone 1 / 21, 160 LED, Wildlife Friendly, Intelligent Emergency
SPX-WL168-3K-A-DDD	SPARTAN Linear WL168, Zone 1 / 21, 160 LED, Wildlife Friendly, Reduced Output
SPX-WL168-EMX25-3K-A-DDD	SPARTAN Linear WL168, Zone 1 / 21, 160 LED, Wildlife Friendly, Reduced Output, Intelligent Emergency



See SPARTAN Linear Mounting & Accessories Guide for full range of accessories