

SPARTAN SPX

LED Zone 1/21 Mid Power Bay Light



Power / Performance

High lumen output up to 15,000 lumens, designed to directly replace traditional discharge light sources up to 250W SON.



Robust and Durable

Robust and durable construction from marine grade aluminium and with a wide operating temperature for even the most challenging conditions.



Easy Maintenance

Featuring a unique modular design, key components are easily accessible for straightforward maintenance and inspection.



Multiple Beam Angles

Available with a range of beam patterns to effectively light up large open areas. The use of secondary optics means no loss of output on wider angles.

5 YEAR WARRANTY

All Raytec luminaires are provided with an industry leading 5 year warranty and have an expected useful life in excess of 10 years. See Warranty Statement for details.



Technical Specifications

Certification

ATEX Rating	ATEX, UKEX and IEC Ex rated for Gas and Dust
Hazardous Area Rating	Zone 1 (Gas), Zone 21(Dust)
Certificates	CML21ATEX3317 & IEC Ex CML21.0037 or CML21UKEX3319
Gas	II 2 G D Ex eb mb IIC T4 Gb Ta= -40°C to +60°C
Dust	Ex tb IIIC T90°C Db Ta= -40°C to +60°C

Electrical

	5K	7.5K	10K	12.5K	15K
Input	110-277V 50/60Hz AC only				
Power	40W	60W	80W	100W	120W
Termination	Incoming terminal block suitable for looping 4 core 4mm ² cable				
Power Factor	>0.95	>0.95	>0.95	>0.95	>0.95
Cable Entries	2xM20 as standard (other entries available upon request), dispatched complete with one ATEX/IEC Ex/UKEX approved blanking plug				

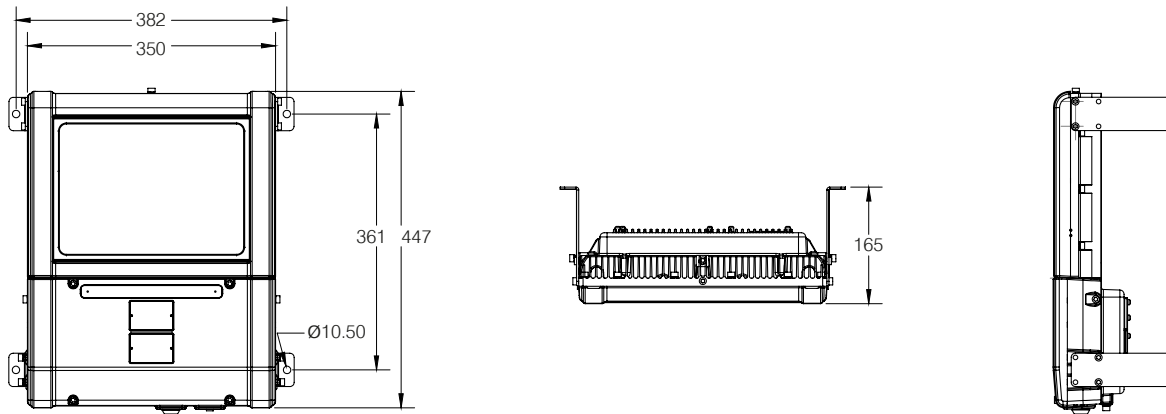
Optical

	5K	7.5K	10K	12.5K	15K
Beam Patterns	30° x 30° or 60° x 60° or 90° x 90°				
Lumen Output (upto)	4,792lm	7,132lm	9,585lm	11,981lm	14,263lm
LED Type	Platinum Elite SMT LEDs	Platinum Elite SMT LEDs	Platinum Elite SMT LEDs	Platinum Elite SMT LEDs	Platinum Elite SMT LEDs
Number of LEDs	24	24	48	48	48
CRI	70+	70+	70+	70+	70+
Colour Temperature	5,700K	5,700K	5,700K	5,700K	5,700K

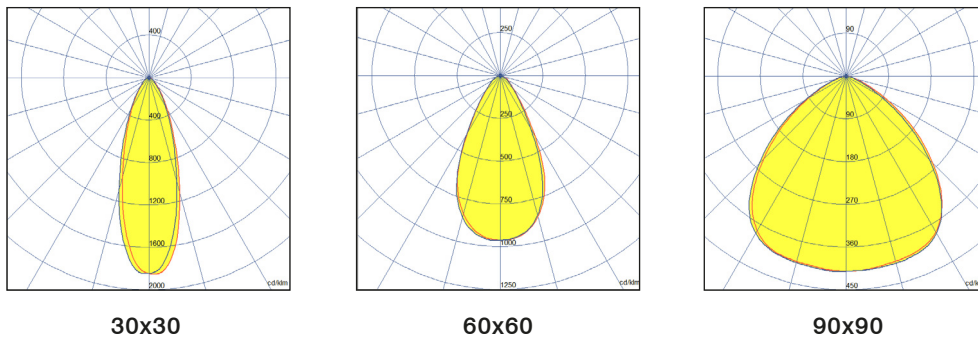
Mechanical

	5K	7.5K	10K	12.5K	15K
Burning Position	Universal	Universal	Universal	Universal	Universal
IP Rating	IP66 & IP67	IP66 & IP67	IP66 & IP67	IP66 & IP67	IP66 & IP67
Temperature Range	-40°C to +60°C	-40°C to +60°C	-40°C to +60°C	-40°C to +60°C	-40°C to +60°C
Weight	13.2kg (29.1lbs)	13.2kg (29.1lbs)	13.2kg (29.1lbs)	13.2kg (29.1lbs)	13.2kg (29.1lbs)
Enclosure	Marine grade aluminium epoxy powder coated, toughened glass, all external fasteners and brackets are marine grade stainless steel				
Unit Colour	Silver (RAL 9006)				
Installation Instructions	Please see document 1250-D-00005 at www.raytecltd.com				
Dimensions	446mm x 382mm x 165mm (17.5 x 15 x 6.5")				
Mounting	Stirrup bracket (see dimension drawings on Page 3)				

Product Dimensions



Beam patterns



30x30

60x60

90x90

Part Code Builder

SPARTAN Mid Power Bay

Example - SPX-MPBY15K-W-9090

Family	Model	Light Type	Optics	CCT	Entry
SPX	MPBY5K	W- White Light	3030	NOT STATED - 5700K	Not Stated - M20
	MPBY7K5		6060	4K - 4000K	M25
	MPBY10K		9090		
	MPBY12K5				
	MPBY15K				