

Innovation in alarm & signal

CATALOGUE 2022.08  
Warning/ Signal  
& Electric Horn



Pacific Automation are authorised Australian distributions for the Qlight range.

**Qlight**

**PACIFIC  
AUTOMATION**

**GET IN TOUCH**

1300 881 876      [sales@pacificautomation.com.au](mailto:sales@pacificautomation.com.au)

NEW SOUTH WALES • QUEENSLAND • VICTORIA • WESTERN AUSTRALIA

[pacificautomation.com.au](http://pacificautomation.com.au)



# Company Introduction



## Qlight Gives You a Brighter Future!

Qlight has been a world-leading provider of visual and audible status indicating systems and solutions for the last three decades. We pride ourselves in developing products which help our customer's improve productivity, safety, and quality control in the industrial automation and commercial industries. Our strong dedication to innovative products, quality assurance, well-established supply chain, customizable manufacturing and strong customer relationships have helped us earn the top market share in Korea and China. These core values have also been fundamental to our continued growth into new markets. Qlight's products are certified by the International Quality Management System (ISO14001), IECEX, ATEX, UL, NEPSI, CE, Lloyd, KIMM, and KOSHA which display our dedication to strin-

gent quality control and product development based on safety-pursuing industry standards.

Our assembly lines in Busan, South Korea and Shanghai, China presently provide a variety of more than 450 of products to more than 40 countries, based on sales offices in South Korea (Seoul, Busan) China (Shanghai, Shenzhen, Shenyang, Tianzhen, Tianjin, Wenzhou), and the U.S. (Silicon Valley). The Qlight brand reflects 30 years of research and development, certification, and manufacturing experience.

We will continue to establish ourselves as an industry-leading provider by pushing the boundaries of technology in order to enhance our customer's efficiency and safety in every industry and region of the world.



## Qlight Global Networks

Country	Company name	Address	Phone
Korea	Qlight Co., Ltd.	HQ   1510, 15F, 128, Gasan digital 1-Ro, Geumcheon-Gu, Seoul, Korea	+82-80-328-2222
		Factory  185-25, Mukbang-Ro, Sangdong-Myeon, Gimhae-si, Gyeongsangnamdo, Korea	+82-80-328-1111
USA	Qlight USA, Inc.	#341, 3003 North First St., San Jose, CA 95134 USA	+1-408-519-5740
China	SHANGHAI Qlight Electronics Co.,Ltd	#19, Nanda Road, Baoshan Area, Shanghai, China	+86-21-6651-7100
Japan	Qlight Japan	1-9, Maesato-cho, Minami-ku, Yokohama, 232-0004, Japan	+81-45-271-8090
Vietnam	Qlight Vietnam	S202-15A15 Vinhome Smart City Taymo- Hanoi, Vietnam	+84-24-6666-5593

## Qlight Clients Heavy industry / Ship building / Automotive / Steel / Machinery / Petrochemical / Power plants / Electronics / Semiconductor / Emergency Vehicles





# Company History

**Qlight has been striving to accomplish our mission to provide visual and audible status indicating systems and solutions to enhance our customer's work safety and efficiency for the last three decades.**



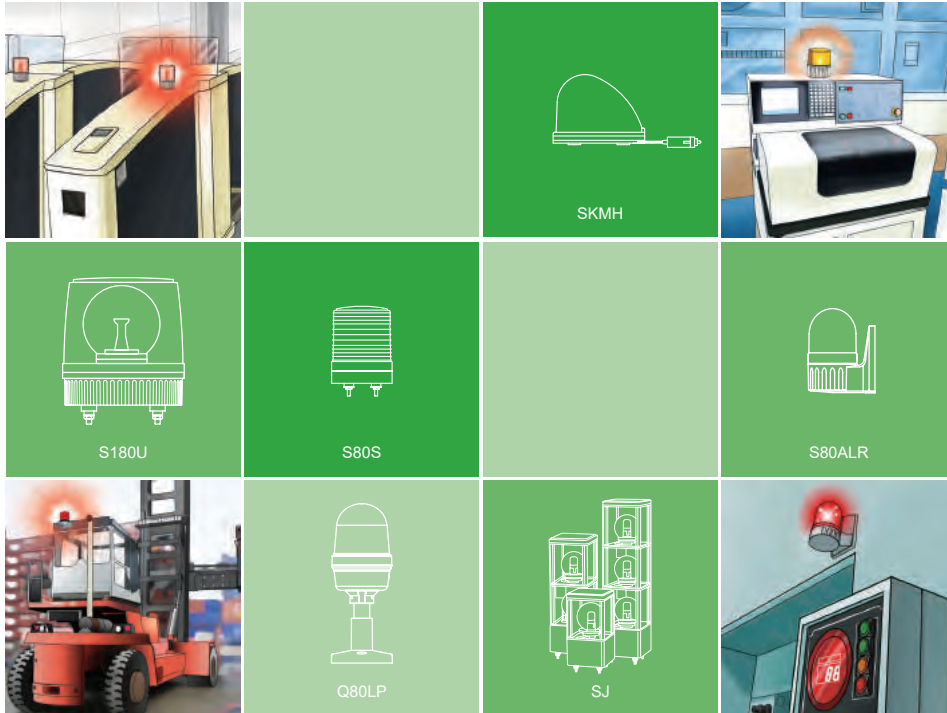
- 2020** 09 Selected as a global small giant company by Ministry of SMEs and Startups
- 2019** 09 Completed Qidong factory
- 08 Explosion proof LED tower light (QTEXB) acquired TIIS mark
- 08 Explosion proof LED work lights (SESA/ SESAL/ SESALR/ SESAS) obtained KCs certificate
- 04 Launched new brand 'Qlightec' providing smart factory solutions
- 01 Explosion proof LED work lights (QLEX-SLM-250(PL) obtained KCs certificate
- 2018** 10 Began construction of Qidong Factory, China
- 08 Explosion proof LED warning light(SNE, SNES) acquired NEPSI certificate
- 07 Explosion proof LED warning light (SNEL/ SNESLR) acquired TIIS certificate
- 03 Non-Sparking ex-proof LED work light (QMFL300-Ex-24) acquired NEPSI certificate
- 02 Explosion proof warning lights (SNEL/ SNESL/ SESAL) acquired CCC(F) certificate
- 02 Explosion proof LED tower light (QTEX/ QTEXB) acquired ATEX, IECEx certificate
- 2017** 02 ISO 14001 : 2015 certificate aquired
- 02 Obtained ICAO certificate for SAOL1
- 2016** 11 Obtained the patent for "multi-functional modular signal tower light" (Patent # : 10-1676863)
- 09 Obtained the patent for "Emergency Vehicle Lightbar" (Patent # : 10-1662283)
- 07 Obtained UL certificate for LED signal lights Q series
- 07 Obtained the patent for "Bar style LED work lights" (Patent # : 10-1598123)
- 2015** 06 Limit switch models (3 items including SW2TS) acquired certificates from RMRS
- 03 LED work lights (QML150/250, QMFL 500/600) UL listed
- 2014** 10 Established the Qlight USA, Inc. in San Jose, CA.
- 09 Horn which that emits light patented (Patent # : 10-1452447)
- 08 Fan/ tilt type bracket patented (Patent # : 10-1452445)
- 09 LED strobe light with multi-lens patented (Patent # : 10-1444391)
- 08 Explosion proof product family including SNE, SNES, SESA, SEA, SPNA acquired IECEx certificates
- 01 Non-sparking explosion proof tower lights including ST45ML and STB45ML acquired KGS and NEPSI certificates
- 2013** 01 Portable warning lights for agricultural machine applications patented (Patent # : 10-1226959)
- 2012** 12 Explosion proof warning lights (SNE, SNES) acquired CCS certificates
- 12 LED work light with cylindrical lens attached patented (Patent # : 10-1219020)
- 09 Explosion proof warning lights (SESA, SEA, SPNA) and heavy-duty warning lights (SH1, SED, SEWN30) certified by CCS
- 01 LED warning light with LED reflector patented (Patent # : 10-1108102)
- 2011** 11 Explosion proof warning light (SNE, SNES) acquired NEPSI certificate
- 08 KCC (Korea Communications Commission) certificate acquired
- 07 Light equipment applying prism system patented (Patent # : 10-1051056)
- 07 ATEX certificate acquired for PC controlled tower light (ST56EL-ETN)
- 2010** 05 QEB certified by KIMM
- 05 LED warning light, bulb revolving warning light patented (Patent # : 10-0961472)
- 2008** 04 Motor drive system patented (Patent # : 20-0439536)
- 03 LED revolving type lens patent acquired (patent # :10-0808669)
- 2007** 11 Explosion proof electric horn (SPNA) acquired NEPSI certificates
- 05 Tower light models including ST45, ST56,ST80) UL listed
- 2005** 07 Heavy-duty products for vessel applications acquired Lloyd's (UK's Maritime Classification Society) certificates
- 04 ABS certificates acquired for 18 products including SH1
- 2004** 06 ISO 9001:2000 certificates acquired
- 2001** 02 Established Shanghai Qlight Electronic Co.,Ltd. in China
- 2000** 07 Established Qlight Limited
- 1993** 11 Nominated for developing domestic explosion proof warning lights by Korean Ministry of Science & Technology
- 1986** 07 Established Qlight



CATALOGUE

# Warning/ Signal/ Stackable Lights

INNOVATION IN ALARM & SIGNAL



References	.....	4
Product specifications	.....	11

# Specification List for Revolving Warning/ Signal Lights

## LED Revolving Warning Lights



Model number	S60LR	S80DR	S80LR	S80DRK	S80LRK	S80ADR	S80ALR
Voltage	DC12V, DC24V AC110V, AC220V	DC12V, DC24V AC110V, AC220V	DC12V, DC24V AC110V, AC220V	DC12V, DC24V AC110V, AC220V	DC12V, DC24V AC110V, AC220V	DC12V, DC24V AC110V, AC220V	DC12V, DC24V AC110V, AC220V
Dimension (mm)	Diameter	Ø70	Ø83	Ø83	Ø84	Ø84	Ø83
	Height	121	131	133	153	155	125
	Depth	-	-	-	-	-	113
Volume	-	Max 90dB at 1m	Max 90dB at 1m	-	-	Max 90dB at 1m	Max 90dB at 1m
Material	Lens-AS Housing-ABS	Lens-AS Housing-ABS	Lens-AS Housing-ABS	Lens-AS Housing-ABS	Lens-AS Housing-ABS	Lens-AS Housing-ABS	Lens-AS Housing-ABS
Mounting structure	Self stand	Self stand	Self stand	Mount bracket	Mount bracket	Wall mount	Wall mount
Protection rating	IP44	IP44	IP44	IP44	IP44	IP44	IP44
Certificates							
Customization	Wall mount	Wall mount	Wall mount	Pole mount	Pole mount	-	-
Page	P12	P16	P16	P17	P17	P18	P18



Model number	S100LR	S100MLR	S125LR	S125MLR	SKMPLR	SKLR	SKMLR
Voltage	DC12V, DC24V AC110V, AC220V	DC12V, DC24V	DC12V, DC24V AC110V, AC220V	DC12V, DC24V	DC12V, DC24V	DC12V, DC24V	DC12V, DC24V
Dimension (mm)	Diameter	Ø101	Ø101	Ø119	Ø119	-	-
	Height	152	149	158	161	142	135
	Depth	-	-	-	-	185(Length)	183(Length)
Volume	Max 90dB at 1m	Max 90dB at 1m	Max 90dB at 1m	Max 90dB at 1m	-	-	-
Material	Lens-AS Housing-ABS	Lens-AS Housing-ABS	Lens-AS Housing-ABS	Lens-AS Housing-ABS	Lens-PC Housing-PC	Lens-PC Housing-PC	Lens-PC Housing-PC
Mounting structure	Self stand	Detachable magnet	Self stand	Detachable magnet	Detachable magnet	Self stand	Detachable magnet
Protection rating	IP44	IP54	IP44	IP54	IP54	IP54	IP54
Certificates							
Customization	Wall mount 2 tones buzzer S100DR, S100RLR	AC type	Wall mount 2 tones buzzer S125RLR	AC type	Oval-shaped Rubber Magnet	-	-
Page	P32	P33	P39	P40	P44	P45	P45



Model number	S150ULR	S150ULR-FT	S150RLR	S150RLR-FT
Voltage	DC12V, DC24V AC110V, AC220V	DC12V, DC24V AC110V, AC220V	DC12V, DC24V AC110V, AC220V	DC12V, DC24V AC110V, AC220V
Dimension (mm)	Diameter	Ø138	Ø138	Ø140
	Height	193	196	189
	Depth			194
Volume	Max 90dB at 1m	Max 90dB at 1m	-	-
Material	Lens-PC Housing-ABS	Lens-PC Housing-ABS	Lens-PC Housing-STs	Lens-PC Housing-STs
Mounting structure	Self stand	Mount bracket	Self stand	Mount bracket
Protection rating	IP44	IP44	IP44	IP44
Certificates				
Customization	2 tones buzzer	2 tones buzzer	-	-
Page	P57	P57	P58	P58

# Specification List for Revolving Warning/ Signal Lights

## Bulb Revolving Warning Lights



Model number	S60R	S80R	S80U	S80RK	S80UK	S80AR	S80AU
Voltage	DC12V, DC24V AC110V, AC220V	DC12V, DC24V AC110V, AC220V	DC12V, DC24V AC110V, AC220V	DC12V, DC24V AC110V, AC220V	DC12V, DC24V AC110V, AC220V	DC12V, DC24V AC110V, AC220V	DC12V, DC24V AC110V, AC220V
Dimension (mm)	Diameter	Ø70	Ø83	Ø83	Ø84	Ø84	Ø83
	Height	121	131	133	153	155	125
	Depth	-	-	-	-	-	113
Volume	-	Max 90dB at 1m	Max 90dB at 1m	-	-	Max 90dB at 1m	Max 90dB at 1m
Material	Lens-AS Housing-ABS	Lens-AS Housing-ABS	Lens-AS Housing-ABS	Lens-AS Housing-ABS	Lens-AS Housing-ABS	Lens-AS Housing-ABS	Lens-AS Housing-ABS
Mounting structure	Self stand	Self stand	Self stand	Mount bracket	Mount bracket	Wall mount	Wall mount
Protection rating	IP44	IP44	IP44	IP44	IP44	IP44	IP44
Certificates	CE	CE	CE	CE	CE	CE	CE
Customization	Wall mount	Wall mount	Wall mount	Pole mount	Pole mount	-	-
Page	P12	P13	P13	P14	P14	P15	P15



Model number	S100R	S100U	S100UA	S100M	S125R	S125U	S125M
Voltage	DC12V, DC24V AC110V, AC220V	DC12V, DC24V AC110V, AC220V	DC12V, DC24V AC110V, AC220V	DC12V, DC24V	DC12V, DC24V AC110V, AC220V	DC12V, DC24V AC110V, AC220V	DC12V, DC24V
Dimension (mm)	Diameter	Ø101	Ø101	Ø101	Ø119	Ø119	Ø119
	Height	149	152	155	149	161	161
	Depth	-	-	-	-	-	-
Volume	Max 90dB at 1m	Max 90dB at 1m	Max 90dB at 1m	Max 90dB at 1m	Max 90dB at 1m	Max 90dB at 1m	Max 90dB at 1m
Material	Lens-AS Housing-ABS	Lens-AS Housing-ABS	Lens-AS Housing-ABS	Lens-AS Housing-ABS	Lens-AS Housing-ABS	Lens-AS Housing-ABS	Lens-AS Housing-ABS
Mounting structure	Self stand	Self stand	Self stand	Detachable magnet	Self stand	Self stand	Detachable magnet
Protection rating	IP44	IP44	IP44	IP54	IP44	IP44	IP54
Certificates	CE	CE	CE	CE	CE	CE	CE
Customization	Wall mount Efficient product (S100E), FT Bracket equipped	Wall mount 2 tones buzzer Dome type lens (S100UR)	Wall mount 2 tones buzzer	AC type	Wall mount Efficient product (S125E), FT Bracket equipped	Wall mount 2 tones buzzer	AC type
Page	P29	P30	P30	P31	P36	P37	P38



Model number	SK/ SKH	SKM/ SKMH	SKMP/ SKMPH	S150U	S150U-FT	S150R	S150R-FT
Voltage	DC12V, DC24V	DC12V, DC24V	DC12V, DC24V	DC12V, DC24V AC110V, AC220V	DC12V, DC24V AC110V, AC220V	DC12V, DC24V AC110V, AC220V	DC12V, DC24V AC110V, AC220V
Dimension (mm)	Diameter	-	-	Ø138	Ø138	Ø140	Ø140
	Height	135	138	142	193	189	194
	Depth	183(Length)	183(Length)	185(Length)	-	-	-
Volume	-	-	-	Max 90dB at 1m	Max 90dB at 1m	-	-
Material	Lens-PC Housing-PC	Lens-PC Housing-PC	Lens-PC Housing-PC	Lens-PC Housing-ABS	Lens-PC Housing-ABS	Lens-PC Housing-STS	Lens-PC Housing-STS
Mounting structure	Self stand	Detachable magnet	Detachable magnet	Self stand	Mount bracket	Self stand	Mount bracket
Protection rating	IP54	IP54	IP54	IP44	IP44	IP44	IP44
Certificates	-	-	-	CE	CE	CE	CE
Customization	-	-	Oval-shaped rubber magnet	2 tones buzzer	2 tones buzzer	-	-
Page	P43	P43	P44	P57	P57	P58	P58



# Specification List for Revolving Warning/ Signal Lights

## Bulb Revolving Warning Lights



Model number	S180R	S180R-FT	S180U	SR	SRP	SJ	SJP
Voltage	DC12V, DC24V AC110V, AC220V	DC12V, DC24V AC110V, AC220V	DC12V, DC24V AC110V, AC220V	DC12V, DC24V AC110V, AC220V	DC12V, DC24V AC110V, AC220V	DC12V, DC24V AC110V, AC220V	DC12V, DC24V AC110V, AC220V
Dimension (mm)	Diameter	Ø176	Ø176	Ø186	Ø83	Ø83	Ø95×95
	Height	206	210	216	162-350	363-551	183-375
	Depth						
Volume	-	-	Max 90dB at 1m	-	-	Max 90dB at 1m	Max 90dB at 1m
Material	Lens-AS Housing-STs	Lens-AS Housing-STs	Lens-AS Housing-ABS	Lens-AS Housing-ABS	Lens-AS Housing-ABS	Lens-AS Housing-ABS	Lens-AS Housing-ABS
Mounting structure	Self stand	Mount bracket	Self stand	Self stand	Pole mount	Self stand	Pole mount
Protection rating	IP44	IP44	IP44	IP44	IP44	IP44	IP44
Certificates	-	-	-	-	-	CE	CE
Customization	-	-	2 tones buzzer Mount hole PCD 120mm	4 layers, Color combination except for standard	4 layers, Color combination except for standard	2 tones buzzer 4 layers, Color combination except for standard	2 tones buzzer 4 layers, Color combination except for standard
Page	P66	P61	P62	P74	P74	P76	P76

## LED Steady/ Flashing Signal Lights



Model number	S50L	S60L	S80L	S80LK	S80AL	S100L	S125L
Voltage	DC12V-24V AC110V, AC220V	DC12V-24V AC110V, AC220V	DC12V-24V AC110V, AC220V	DC12V-24V AC110V, AC220V	DC12V-24V AC110V, AC220V	DC12V-24V AC110V, AC220V	DC12V-24V AC110V, AC220V
Dimension (mm)	Diameter	Ø50	Ø70	Ø83	Ø84	Ø83	Ø101
	Height	60	121	133	155	127	152
	Depth	-	-	-	-	113	-
Volume	-	-	Max 90dB at 1m	-	Max 90dB at 1m	Max 90dB at 1m	Max 90dB at 1m
Material	Lens-AS Housing-ABS	Lens-AS Housing-ABS	Lens-AS Housing-ABS	Lens-AS Housing-ABS	Lens-AS Housing-ABS	Lens-AS Housing-ABS	Lens-AS Housing-ABS
Mounting structure	Self stand	Self stand	Self stand	Mount bracket	Wall mount	Self stand	Self stand
Protection rating	IP44	IP44	IP44	IP44	IP44	IP44	IP44
Certificates	CE	-	CE	CE	CE	CE	CE
Customization	Wall mount	Wall mount	Wall mount	Pole mount	-	Wall mount 2 tones buzzer	Wall mount 2 tones buzzer
Transistor							
Page	P11	P12	P19	P20	P21	P34	P41

# Specification List for Revolving Warning/ Signal Lights

## LED Steady/ Flashing Signal Lights/ Stackable Lights



Model number	SKTL	SKTLB	SKTLM	SKTLBM	S150UL	S150UL-FT	S150RL	S150RL-FT
Voltage	DC12V, DC24V	DC12V, DC24V	DC12V, DC24V	DC12V, DC24V	DC12V-24V AC110V, AC220V	DC12V-24V AC110V, AC220V	DC12V-24V AC110V, AC220V	DC12V-24V AC110V, AC220V
Dimension (mm)	Diameter	□105×105	□105×105	□105×105	□105×105	Ø138	Ø138	Ø140
	Height	98	98	90	90	193	196	189
	Depth							
Volume	-	Max 105dB at 1m	-	Max 105dB at 1m	Max 90dB at 1m	Max 90dB at 1m	-	-
Material	Lens-PC Housing-PC	Lens-PC Housing-PC	Lens-PC Housing-PC	Lens-PC Housing-PC	Lens-PC Housing-ABS	Lens-PC Housing-ABS	Lens-PC Housing-STTS	Lens-PC Housing-STTS
Mount bracket	Self stand	Self stand	Detachable magnet	Detachable magnet	Self stand	Mount bracket	Self stand	Mount bracket
Protection rating	IP66	IP66	IP66	IP66	IP44	IP44	IP44	IP44
Certificates	CE	CE	CE	CE	-	-	-	-
Customization	-	-	Color combination except for standard	Color combination except for standard	2 tones buzzer	2 tones buzzer	-	-
Page	P46	P46	P47	P47	P59	P59	P60	P60



Model number	S80SOL	S100SOL	S125SOL	SRL	SRLP	SJL	SJLP	S125TL
Voltage	2.4V (Battery Voltage)	2.4V (Battery Voltage)	2.4V (Battery Voltage)	DC12V-24V AC110V, AC220V	DC12V-24V AC110V, AC220V	DC12V-24V AC110V, AC220V	DC12V-24V AC110V, AC220V	DC12V-24V AC110V, AC220V
Dimension (mm)	Diameter	Ø83	Ø101	Ø119	Ø83	Ø83	□95×95	□95×95
	Height	143	158	175	162-350	363-551	183-375	387-579
	Depth							
Volume	-	-	-	-	-	Max 90dB at 1m	Max 90dB at 1m	-
Material	Lens-PC Housing-ABS	Lens-PC Housing-ABS	Lens-PC Housing-ABS	Lens-AS Housing-ABS	Lens-AS Housing-ABS	Lens-AS Housing-ABS	Lens-AS Housing-ABS	Lens-AS Housing-ABS
Mount bracket	Self stand	Self stand	Self stand	Self stand	Pole mount	Self stand	Pole mount	Self stand
Protection rating	IP54	IP54	IP54	IP44	IP44	IP44	IP44	IP44
Certificates	CE	CE	CE	-	-	-	-	-
Customization	Wall mount Magnet mount	Wall mount Magnet mount	Wall mount Magnet mount	-	-	2 tones buzzer	2 tones buzzer	Color combination except for standard, Strobe type(S125TS)
Transistor	-	-	-	NPN/ PNP type	NPN/ PNP type	NPN/ PNP type	NPN/ PNP type	NPN/ PNP type
Page	P66	P67	P67	P75	P75	P77	P77	P78

# Specification List for Revolving Warning/ Signal Lights

## LED Steady/ Flashing Signal Lights



Model number	Q60L	Q60LW	Q60LP	Q80L	Q80LW	Q80LP
Voltage	DC12V-24V AC110V-220V	DC12V-24V AC110V-220V	DC12V-24V AC110V-220V	DC12V-24V AC110V-220V	DC12V-24V AC110V-220V	DC12V-24V AC110V-220V
Dimension (mm)	Diameter	Ø69	Ø69	Ø69	Ø83	Ø83
	Height	100	129	334	120	278
	Depth	-	107	-	-	114
Volume	Max 80dB at 1m	Max 80dB at 1m	Max 80dB at 1m	Max 80dB at 1m	Max 80dB at 1m	Max 80dB at 1m
Material	Lens-PC Housing-ABS	Lens-PC Housing-ABS Mount-PC	Lens-PC Housing-ABS Pole-Al	Lens-PC Housing-ABS	Lens-PC Housing-ABS Mount-PC	Lens-PC Housing-ABS Pole-Al
Mounting structure	Self stand	Wall mount	Pole mount	Self stand	Wall mount	Pole mount
Protection rating	IP65	IP65	IP65	IP65	IP65	IP65
Certificates	CE, UL	CE, UL	CE, UL	CE, UL	CE, UL	CE, UL
Customization	-	-	Customized pole length available	-	-	Customized pole length available
Page	P49	P4±9	P50	P51	P51	P52



Model number	Q100L	Q100LW	Q100LP	Q125L	Q125LW	Q125LP
Voltage	DC12V-24V AC110V-220V	DC12V-24V AC110V-220V	DC12V-24V AC110V-220V	DC12V-24V AC110V-220V	DC12V-24V AC110V-220V	DC12V-24V AC110V-220V
Dimension (mm)	Diameter	Ø97	Ø97	Ø116	Ø116	Ø116
	Height	136	173	294	155	313
	Depth	-	121	-	-	130
Volume	Max 80dB at 1m	Max 80dB at 1m	Max 80dB at 1m	Max 80dB at 1m	Max 80dB at 1m	Max 80dB at 1m
Material	Lens-PC Housing-ABS	Lens-PC Housing-ABS Mount-PC	Lens-PC Housing-ABS Pole-Al	Lens-PC Housing-ABS	Lens-PC Housing-ABS Mount-PC	Lens-PC Housing-ABS Pole-Al
Mounting structure	Self stand	Wall mount	Pole mount	Self stand	Wall mount	Pole mount
Protection rating	IP65	IP65	IP65	IP65	IP65	IP65
Certificates	CE, UL	CE, UL	CE, UL	CE, UL	CE, UL	CE, UL
Customization	-	-	Customized pole length available	-	-	Customized pole length available
Page	P53	P53	P54	P55	P55	P56

## Multiple Function LED Signal Lights



Model number	460	MFL80	MFL100	MFL125
Voltage	DC12V-24V AC110V-220V	DC12V-24V AC110V-220V	DC12V-24V AC110V-220V	DC12V-24V AC110V-220V
Dimension (mm)	Diameter	Ø69	Ø83	Ø97
	Height	100	120	136
	Depth	-	-	-
Volume	Max 80dB at 1m	Max 80dB at 1m	Max 80dB at 1m	Max 80dB at 1m
Material	Lens-PC Housing-ABS	Lens-PC Housing-ABS	Lens-PC Housing-ABS	Lens-PC Housing-ABS
Mounting structure	Self stand	Self stand	Self stand	Self stand
Protection rating	IP65	IP65	IP65	IP65
Certificates	CE, UL	CE, UL	CE, UL	CE, UL
Customization	Wall mount	Wall mount	Wall mount	Wall mount
Page	P64	P64	P65	P65

## Multiple Color LED Signal Lights



Model number	SWTC	SWTCE
Voltage	DC12V-24V AC110V, AC220V	DC12V-24V AC110V, AC220V
Dimension (mm)	Diameter	Ø90(Half)
	Height	216
	Depth	46
Volume	Max 90dB at 1m	Max 90dB at 1m
Material	Lens-PC Housing-ABS	Lens-PC Housing-ABS
Mounting structure	Wall mount	Wall mount
Protection rating	IP55	IP55
Certificates	CE	CE
Customization	Color combination except for standard, 2 tones buzzer	Color combination except for standard, 2 tones buzzer
Transistor	NPN type	NPN type
Page	P72	P72



# Specification List for Revolving Warning/ Signal Lights

## Multiple Color LED Signal Lights



Model number	SMCL80	SMCL100	SMCL125	QMCL60	QMCL80	QMCL100	QMCL125
Voltage	DC12V-24V AC110V, AC220V	DC12V-24V AC110V, AC220V	DC12V-24V AC110V, AC220V	DC12V, DC24V	DC12V, DC24V	DC12V, DC24V	DC12V, DC24V
Dimension (mm)	Diameter	Ø83	Ø101	Ø119	Ø69	Ø83	Ø116
	Height	132	152	158	80	85	110
	Depth	-	-	-	-	-	-
Volume	Max 90dB at 1m	Max 90dB at 1m	Max 90dB at 1m	Max 80dB at 1m	Max 80dB at 1m	Max 80dB at 1m	Max 80dB at 1m
Material	Lens-AS Housing-ABS	Lens-AS Housing-ABS	Lens-AS Housing-ABS	Lens-AS Housing-ABS	Lens-AS Housing-ABS	Lens-AS Housing-ABS	Lens-AS Housing-ABS
Mounting structure	Self stand	Self stand	Self stand	Self stand	Self stand	Self stand	Self stand
Protection rating	IP44	IP44	IP44	IP65	IP65	IP65	IP65
Certificates	CE	CE	CE	CE, UL	CE, UL	CE, UL	CE, UL
Customization	Wall mount Color combination except for standard	Wall mount Color combination except for standard	Wall mount Color combination except for standard	Wall mount	Wall mount	Wall mount	Wall mount
Transistor	NPN type	NPN type	NPN type	NPN/ PNP type	NPN/ PNP type	NPN/ PNP type	NPN/ PNP type
Page	P68	P68	P69	P70	P70	P71	P71

## LED Strobe Signal Lights



Model number	S80NS	S80LS	S125LSE
Voltage	DC12V-24V	DC12V-24V	DC12V-24V
Dimension (mm)	Diameter	Ø83	Ø123
	Height	111	106
	Depth	-	-
Volume	-	-	-
Material	Lens-PC Housing-ABS+GF	Lens-PC Housing-ABS	Lens-PC Housing-ABS
Mounting structure	Self stand	Self stand	Self stand
Protection rating	IP66	IP65	IP54
Certificates	CE, UL	CE, UL	-
Customization	-	-	Wall mount
Page	P26	P27	P28

## Xenon Lamp Strobe Signal Lights



Model number	Q70NSC	Q70NSN	S80S	S80SM	S80AS	S100S	S100SM
Voltage	AC110V	DC12V-80V AC110V	DC12V-24V AC110V, AC220V	DC12V-24V	DC12V-24V AC110V, AC220V	DC12V-24V AC110V, AC220V	DC12V-24V
Dimension (mm)	Diameter	Ø72	Ø83	Ø83	Ø83	Ø101	Ø101
	Height	128	128	106	106	113	113
	Depth	-	-	-	-	113	-
Volume	-	-	-	-	Max. 90dB at 1m	-	-
Material	Lens-AS Housing-ABS	Lens-AS Housing-ABS	Lens-AS Housing-ABS	Lens-AS Housing-ABS	Lens-AS Housing-ABS	Lens-AS Housing-ABS	Lens-AS Housing-ABS
Mounting structure	Convenient wiring	Self stand	Self stand	Detachable magnet	Wall mount	Self stand	Detachable magnet
Protection rating	IP66	IP66	IP54	IP54	IP44	IP54	IP54
Certificates	-	-	CE	CE	-	CE	CE
Customization	-	-	Wall mount	AC type	Dome type lens	Wall mount	AC type
Page	P22	P23	P24	P24	P25	P35	P35

# Specification List for Revolving Warning/ Signal Lights



Model number	S125S	S125SM	S150US	S150US-FT	S150RS	S150RS-FT	S180US/ S180UHS
Voltage	DC12V-24V AC110V, AC220V	DC12V-24V	DC12V-24V AC110V, AC220V	DC12V-24V AC110V, AC220V	DC12V-24V AC110V, AC220V	DC12V-24V AC110V, AC220V	DC12V-24V AC110V, AC220V
Dimension (mm)	Diameter	Ø123	Ø123	Ø138	Ø138	Ø140	Ø140
	Height	125	123	193	196	189	194
	Depth						
Volume	-	-	Max 90dB at 1m	Max 90dB at 1m	-	-	Max 90dB at 1m
Material	Lens-AS Housing-ABS	Lens-AS Housing-ABS	Lens-PC Housing-ABS	Lens-PC Housing-ABS	Lens-PC Housing-STS	Lens-PC Housing-STS	Lens-ABS Housing-ABS
Mounting structure	Self stand	Detachable magnet	Self stand	Mount bracket	Self stand	Mount bracket	Self stand
Protection rating	IP54	IP54	IP44	IP44	IP44	IP44	IP44
Certificates	CE	CE	-	-	-	-	-
Customization	Wall mount	AC type	2 tones buzzer, High brightness (S150UHS)	2 tones buzzer, High brightness (S150UHS-FT)	High brightness (S150RHS)	High brightness (S150RHS-FT)	2 tones buzzer, Mount hole PCD 120mm
Page	P42	P42	P58	P58	P59	P59	P62

## LED Steady/ Flashing Signal Lights



Model number	QLTF					
Voltage	DC24V, DC12V-24V					
Dimension (mm)	Diameter	110×52				
	Height	47				
	Depth	-				
Volume	Max 65dB at 1m					
Material	Lens-AS Housing-ABS					
Mounting structure	Self stand					
Protection rating	IP55					
Certificates	CE					
Customization	-					
Page	P48					

# S50 series

## Ø50mm Signal Lights



**S50B**



**S50L**



### Common Specifications(S50B/ S50L)

- Ø50mm compact signal lights
- Enhanced visibility that employs a special scattering lens
- Suitable for office-automation applications, small machines, and portable automation equipment with confined space environments
- Powerful omni-directional light source that enables high visibility
- Materials : Lens-AS, Housing-ABS, Reflector-Heat resistant ABS(for S50L Model)
- Ambient operating temperature : -30°C to +50°C
- Protection rating : IP44

### S50B Bulb Steady Signal Light

- Standard condition operates with steady light function but the flashing light condition can be enabled with external contacts
- Employs a special filament to prevent damage caused by possible voltage variations

Model number	Voltage	Current	Bulb			Certificates	Weight	Color
			Spec	Standard	Parts no			
S50B	DC12V	0.437A	12V5W	G14 9S	1	-	0.05kg	● R-Red
	DC24V	0.290A	24V5W	G14 9S	2		0.05kg	● A-Amber
	AC110V	0.051A	110V5W	T16x28 9S	3		0.05kg	● G-Green
	AC220V	0.025A	220V5W	T16x28 9S	4		0.05kg	● B-Blue

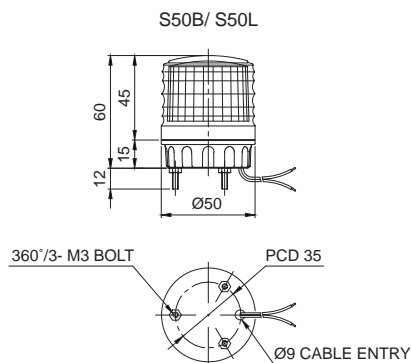
### S50L LED Steady/Flashing Signal Light

- Built-in switch for selection between steady and flashing mode
- Flashing rate : 60-80 flashes/min
- Compliant with RoHS directive

Model number	Voltage	Current	Certificates	Weight	Color
S50L	DC12V-24V	Max.0.050A	CE DC only	0.08kg	● R-Red
	AC110V	0.045A		0.08kg	● A-Amber
	AC220V	0.045A		0.08kg	● G-Green
					● B-Blue

### Technical Diagram

(Units : mm)



### Customization

- Wall mount bracket options: Bracket structure allows for threading through the bracket hole or into the wall mount



Wall Mount Bracket  
**TWS45**



Wall Mount Bracket  
**TWA45**

### Wiring Instructions

- S50B Model : External power line standard UL1007 AWG22(0.3sq) 400mm
- S50L Model : External power line standard UL1015 AWG18(0.75sq)×2C 400mm
- Product can be wired regardless of polarity

### Ordering Specification

<b>S50B</b>	-	<b>220</b>	-	<b>R</b>
[Model number]		[Voltage]		[Color]
• S50B • S50L		• 12-DC12V • 24-DC24V • 12/24-DC12V-24V(S50L only) • 110-AC110V • 220-AC220V		• R-Red • A-Amber • G-Green • B-Blue



# S60 series

## Ø60mm Warning/ Signal Lights



S60R



S60LR



S60L



### Common Specifications(S60R/ S60LR/ S60L)

- Ø60mm compact warning/ signal lights
- Materials : Lens-AS, Housing-ABS, Reflector-Heat resistant ABS
- Ambient operating temperature : -20°C to +50°C
- Protection rating : IP44



### S60R Bulb Revolving Warning Light

- Revolving speed : 120-140RPM
- Certificates : CE Compliant

Model number	Voltage	Current	Bulb			Certificates	Weight	Color
			Spec	Standard	Parts no			
S60R	DC12V	0.484A	12V5W	T16x35 15S	5	CE DC only	0.18kg	● R-Red
	DC24V	0.310A	24V5W	T16x35 15S	6		0.18kg	● A-Amber
	AC110V	0.072A	110V5W	T16x35 15D	7		0.27kg	● G-Green
	AC220V	0.036A	220V5W	T16x35 15D	8		0.27kg	● B-Blue



### S60LR LED Revolving Warning Light

- Revolving speed : 120-140RPM

Model number	Voltage	Current	Certificates	Weight	Color
S60LR	DC12V	0.183A	-	0.21kg	● R-Red
	DC24V	0.127A		0.21kg	● A-Amber
	AC110V	0.040A		0.28kg	● G-Green
	AC220V	0.020A		0.28kg	● B-Blue



### S60L LED Steady/ Flashing Signal Light

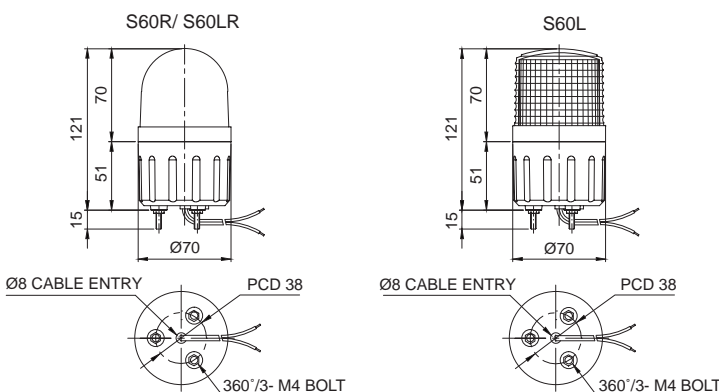
- Flashing rate : 60-80 flashes/min

Model number	Voltage	Current	Certificates	Weight	Color
S60L	DC12V-24V	Max.0.120A	-	0.15kg	● R-Red
	AC110V	0.025A		0.20kg	● A-Amber
	AC220V	0.015A		0.20kg	● G-Green ● B-Blue



### Technical Diagram

(Units : mm)



### Wiring Instructions

- External power line standard : UL1015 AWG18(0.75sq)×2C 400mm
- DC type for S60R/S60LR : Black output line is negative(-)
- S60L can be wired regardless of polarity



### Ordering Specification

S60R	-	24	-	R
[Model number]		[Voltage]		[Color]
<ul style="list-style-type: none"> <li>• S60R</li> <li>• S60LR</li> <li>• S60L</li> </ul>		<ul style="list-style-type: none"> <li>• 12-DC12V</li> <li>• 24-DC24V</li> <li>• 12/24-DC12V-24V(S60L only)</li> <li>• 110-AC110V</li> <li>• 220-AC220V</li> </ul>		<ul style="list-style-type: none"> <li>● R-Red</li> <li>● A-Amber</li> <li>● G-Green</li> <li>● B-Blue</li> </ul>



### Customization

- Wall mount bracket options:  
Bracket structure allows for threading through the bracket hole or into the wall mount



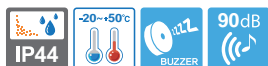
Wall Mount Bracket  
TWS45



Wall Mount Bracket  
TWA45

# S80 series

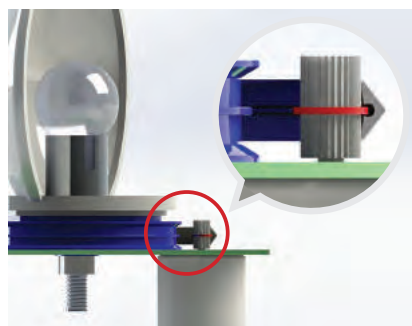
## Ø80mm Bulb Revolving Warning Lights



S80R



S80U



### V belt type power transfer system feature

Designed to minimize the abrasion of the belt, and to efficiently deliver torque from the drive shaft to the reflector.

### S80R/ S80U Bulb Revolving Warning Lights

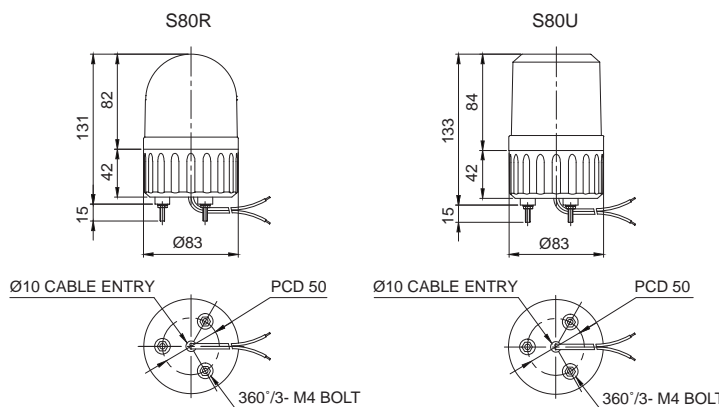
- Ø80mm bulb revolving warning lights
- Adopts a special power transmission system that reduces noise and wear
- Built-in buzzer available (Volume : Max 90dB at 1m)
- Revolving speed : 120-140RPM
- Materials : Lens-AS, Housing-ABS, Reflector-Heat resistant ABS
- Ambient operating temperature : -20°C to +50°C
- Protection rating : IP44
- Certificates : CE Compliant

### Specifications

Model number	Voltage	Current	Bulb			Certificates	Weight	Color
			Spec	Standard	Parts no			
S80R S80U	DC12V	0.484A	12V5W	T16x35 15S	5	CE DC only	0.28kg	<ul style="list-style-type: none"> <li>• R-Red</li> <li>• A-Amber</li> <li>• G-Green</li> <li>• B-Blue</li> </ul>
	DC24V	0.310A	24V5W	T16x35 15S	6		0.28kg	
	AC110V	0.080A	12V5W	T16x35 15S	5		0.48kg	
	AC220V	0.040A	12V5W	T16x35 15S	5		0.48kg	

### Technical Diagram

(Units : mm)



### Wiring Instructions

- External power line standard : UL1015 AWG18(0.75sq)×2C 400mm
- DC Type : Black output line is negative(-)
- AC compatible type shall be connected the black and white wires when using AC110V, and the black and red wires when using AC220V.

### Customization

- Wall mount bracket options :  
Bracket structure allows for threading through the bracket hole or into the wall mount.
- AC compatible type: Could select AC110V or AC220V by connecting 2 power lines of 3 wires each.



### Ordering Specification

S80U	BZ	220	R
[Model number]	[Buzzer option]	[Voltage]	[Color]
<ul style="list-style-type: none"> <li>• S80R</li> <li>• S80U</li> </ul>	<ul style="list-style-type: none"> <li>• None</li> <li>• - No buzzer</li> <li>• BZ</li> <li>• - Built-in buzzer</li> </ul>	<ul style="list-style-type: none"> <li>• 12-DC12V</li> <li>• 24-DC24V</li> <li>• 110-AC110V</li> <li>• 220-AC220V</li> </ul>	<ul style="list-style-type: none"> <li>• R-Red</li> <li>• A-Amber</li> <li>• G-Green</li> <li>• B-Blue</li> </ul>

# S80 series

## Ø80mm Bulb Revolving Warning Lights



**S80RK**



**S80UK**

### S80RK/ S80UK Bulb Revolving Warning Lights

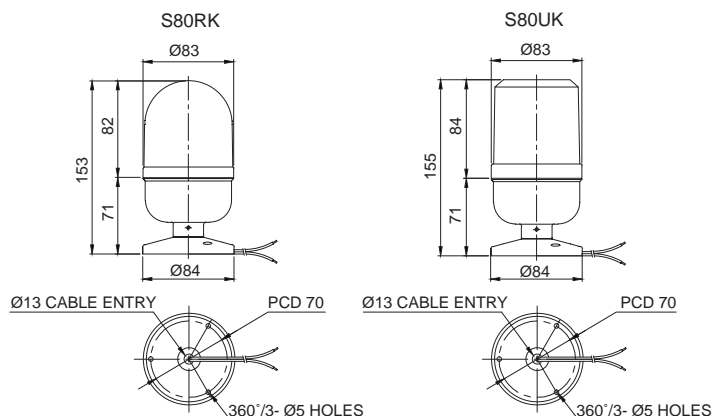
- Ø80mm bulb revolving warning lights
- Adopts a special power transmission system that reduces noise and wear
- Circular mount bracket allows convenient installation
- No buzzer options available
- Revolving speed : 120-140RPM
- Materials : Lens-AS, Housing-ABS, Reflector-Heat resistant ABS
- Ambient operating temperature : -20°C to +50°C
- Protection rating : IP44

#### Specifications

Model number	Voltage	Current	Bulb			Certificates	Weight	Color
			Spec	Standard	Parts no			
S80RK	DC12V	0.484A	12V5W	T16x35 15S	5	CE DC only	0.26kg	<ul style="list-style-type: none"> <li>• R-Red</li> <li>• A-Amber</li> <li>• G-Green</li> <li>• B-Blue</li> </ul>
	DC24V	0.310A	24V5W	T16x35 15S	6		0.26kg	
S80UK	AC110V	0.080A	12V5W	T16x35 15S	5		0.48kg	
	AC220V	0.040A	12V5W	T16x35 15S	5		0.48kg	

#### Technical Diagram

(Units : mm)



#### Wiring Instructions

- External power line standard : UL1015 AWG18(0.75sq)×2C 400mm
- DC Type : Black output line is negative(-).
- AC compatible type shall be connected the black and white wires when using AC110V, and the black and red wires when using AC220V.

#### Customization

- Pole mount type

Standard	QZ18	SZ18	SL18
Steel	PC	Al	Al



※ Please refer to page152-155 for detailed dimension of mount bracket

- AC compatible type: Could select AC110V or AC220V by connecting 2 power lines of 3 wires each.

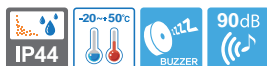
#### Ordering Specification

<b>S80RK</b>	-	<b>24</b>	-	<b>R</b>
[Model number]		[Voltage]		[Color]
• S80RK • S80UK		• 12-DC12V • 24-DC24V • 110-AC110V • 220-AC220V		• R-Red • A-Amber • G-Green • B-Blue



# S80 series

## Ø80mm Bulb Revolving Warning Lights



**S80AR**



**S80AU**



### S80A series enable easy wiring

S80A series enables easy wiring with its terminal block attached to the fixed base plate. With this system the contacts in the housing sends power directly to the terminal block.

### Customization

- AC compatible type: Could select AC110V or AC220V by connecting 2 power lines of 3 wires each.

## S80AR/ S80AU Bulb Revolving Warning Lights

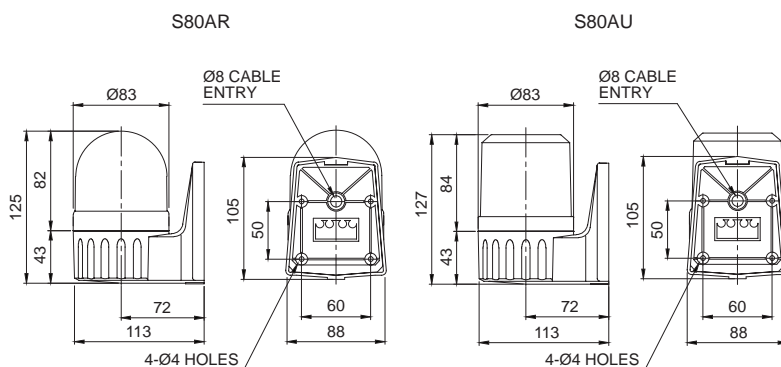
- Equipped wall mount allows for easy assembly. Additional mounting brackets not required
- Terminal block designed inside the side mount bracket enables easy wiring
- Built-in buzzer available (Volume : Max 90dB at 1m)
- Revolving speed : 120-140RPM
- Materials : Lens-AS, Housing-ABS, Reflector-Heat resistant ABS
- Ambient operating temperature : -20°C to +50°C
- Protection rating : IP44

### Specifications

Model number	Voltage	Current	Bulb			Certificates	Weight	Color
			Spec	Standard	Parts no			
S80AR	DC12V	0.484A	12V5W	T16x35 15S	5	CE DC only	0.31kg	<ul style="list-style-type: none"> <li>● R-Red</li> <li>● A-Amber</li> <li>● G-Green</li> <li>● B-Blue</li> </ul>
	DC24V	0.310A	24V5W	T16x35 15S	6		0.31kg	
S80AU	AC110V	0.080A	12V5W	T16x35 15S	5		0.50kg	
	AC220V	0.040A	12V5W	T16x35 15S	5		0.50kg	

### Technical Diagram

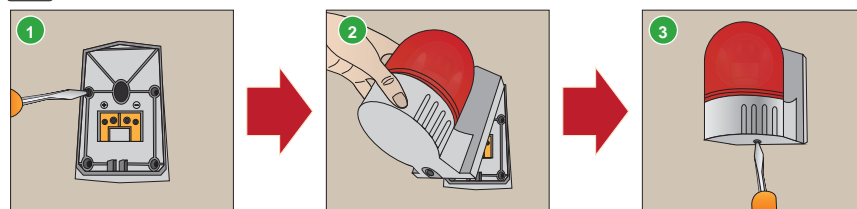
(Units : mm)



### Wiring Instructions

- Attach the power supply wire to the terminal block
- DC Type : Black output line is negative(-).
- AC compatible type shall be connected the black and white wires when using AC110V, and the black and red wires when using AC220V.

### Mounting Instructions



- Secure the base plate to the mounting surface, and the power line to the terminal block
- Mount the warning light by inserting the ring(hook) into the upper part of the base plate
- Screw in the bolt at the base of the mounting bracket to complete assembly

### Ordering Specification

S80AR	-	BZ	-	220	-	R
[Model number]		[Buzzer option]		[Voltage]		[Color]
<ul style="list-style-type: none"> <li>• S80AR</li> <li>• S80AU</li> </ul>		<ul style="list-style-type: none"> <li>• None</li> <li>- No buzzer</li> <li>• BZ</li> <li>- Built-in buzzer</li> </ul>		<ul style="list-style-type: none"> <li>• 12-DC12V</li> <li>• 24-DC24V</li> <li>• 110-AC110V</li> <li>• 220-AC220V</li> </ul>		<ul style="list-style-type: none"> <li>● R-Red</li> <li>● A-Amber</li> <li>● G-Green</li> <li>● B-Blue</li> </ul>

# S80 series

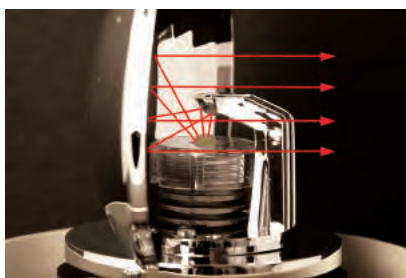
## Ø80mm LED Revolving Warning Lights



**S80DR**



**S80LR**



### Feature of LED revolving warning lights

LED revolving warning lights has Qlight's distinctive LED light collecting system and special multifaceted reflector allowing excellent omni-directional visibility.

### Replacement for old version

S80DR substitutes for S80RLR, so they have same dimension, function and feature.

## S80DR/ S80LR LED Revolving Warning Lights

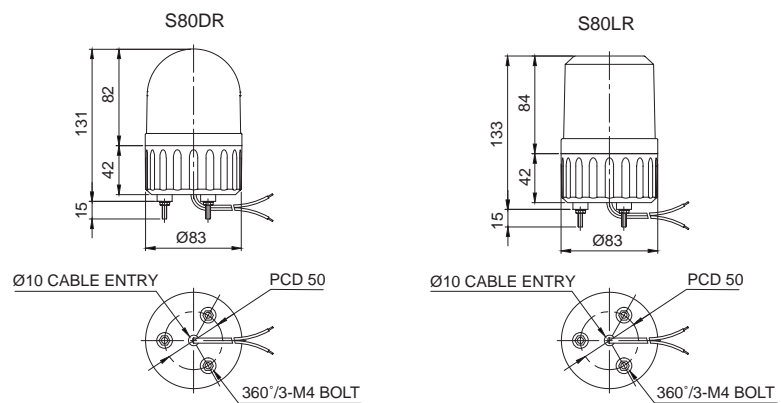
- Ø80mm compact LED revolving warning lights
- Excellent omni-directional visibility with LED light collecting system and special multifaceted reflector
- Built-in buzzer available (Volume : Max 90dB at 1m)
- Revolving speed : 120-140RPM
- Materials : Lens-AS, Housing-ABS, Reflector-Heat resistant ABS
- Ambient operating temperature : -20°C to +50°C
- Protection rating : IP44
- Compliant with RoHS directive

### Specifications

Model number	Voltage	Current	Certificates	Weight	Color
S80DR S80LR	DC12V	0.183A	-	0.23kg	<ul style="list-style-type: none"> <li>● R-Red</li> <li>● A-Amber</li> <li>● G-Green</li> <li>● B-Blue</li> </ul>
	DC24V	0.127A		0.23kg	
	AC110V	0.035A		0.38kg	
	AC220V	0.017A		0.38kg	

### Technical Diagram

(Units : mm)



### Wiring Instructions

- External power line standard : UL1015 AWG18(0.75sq)×2C 400mm
- DC Type : Black output line is negative(-).
- AC compatible type shall be connected the black and white wires when using AC110V, and the black and red wires when using AC220V.

### Customization

- Wall mount bracket options :  
Bracket structure allows for threading through the bracket hole or into the wall mount.
- AC compatible type: Could select AC110V or AC220V by connecting 2 power lines of 3 wires each.

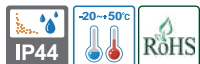


### Ordering Specification

S80DR	BZ	220	R
[Model number]	[Buzzer option]	[Voltage]	[Color]
<ul style="list-style-type: none"> <li>• S80DR</li> <li>• S80LR</li> </ul>	<ul style="list-style-type: none"> <li>• None</li> <li>- No buzzer</li> <li>• BZ</li> <li>- Built-in buzzer</li> </ul>	<ul style="list-style-type: none"> <li>• 12-DC12V</li> <li>• 24-DC24V</li> <li>• 110-AC110V</li> <li>• 220-AC220V</li> </ul>	<ul style="list-style-type: none"> <li>● R-Red</li> <li>● A-Amber</li> <li>● G-Green</li> <li>● B-Blue</li> </ul>

# S80 series

## Ø80mm LED Revolving Warning Lights



**S80DRK**



**S80LRK**

### S80DRK/ S80LRK LED Revolving Warning Lights

- Ø80mm LED revolving warning lights
- Adopts a special power transmission system that reduces noise and wear
- Circular mount bracket allows convenient installation
- No buzzer allowed
- Revolving speed : 120-140RPM
- Materials : Lens-AS, Housing-ABS, Reflector-Heat resistant ABS
- Ambient operating temperature : -20°C to +50°C
- Protection rating : IP44
- Compliant with RoHS directive



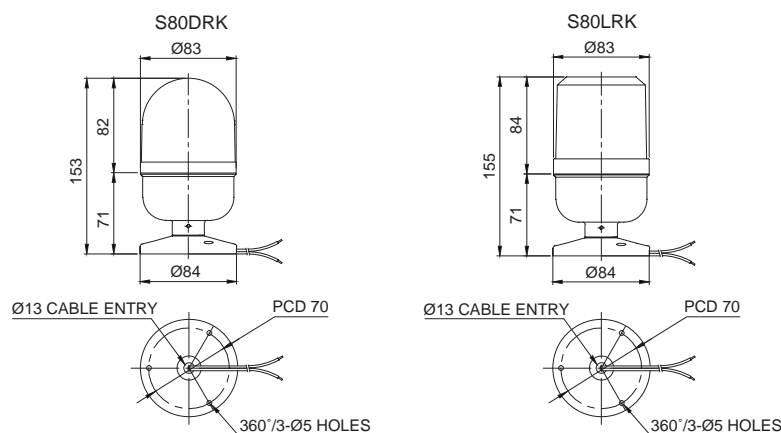
#### Specifications

Model number	Voltage	Current	Certificates	Weight	Color
S80DRK S80LRK	DC12V	0.183A	-	0.24kg	<ul style="list-style-type: none"> <li>• R-Red</li> <li>• A-Amber</li> <li>• G-Green</li> <li>• B-Blue</li> </ul>
	DC24V	0.127A		0.24kg	
	AC110V	0.035A		0.43kg	
	AC220V	0.017A		0.43kg	



#### Technical Diagram

(Units : mm)



#### Wiring Instructions

- External power line standard : UL1015 AWG18(0.75sq)×2C 400mm
- DC Type : Black output line is negative(-).
- AC compatible type shall be connected the black and white wires when using AC110V, and the black and red wires when using AC220V.



#### Customization

- Pole mount type

	Standard	QZ18	SZ18	SL18
	Steel	PC	Al	Al



※ Please refer to page152-155 for detailed dimension of mount bracket

- AC compatible type: Could select AC110V or AC220V by connecting 2 power lines of 3 wires each.



#### Ordering Specification

S80DRK	-	24	-	R
[Model number]		[Voltage]		[Color]
<ul style="list-style-type: none"> <li>• S80DRK</li> <li>• S80LRK</li> </ul>		<ul style="list-style-type: none"> <li>• 12-DC12V</li> <li>• 24-DC24V</li> <li>• 110-AC110V</li> <li>• 220-AC220V</li> </ul>		<ul style="list-style-type: none"> <li>• R-Red</li> <li>• A-Amber</li> <li>• G-Green</li> <li>• B-Blue</li> </ul>

#### Replacement for old version

S80DRK substitutes for S80RLRK, so they have same dimension, function and feature.



# S80 series

## Ø80mm LED Revolving Warning Light



**S80ADR**



**S80ALR**



S80A series can be wall mounted easily without an additional mounting bracket.

### Customization

- AC compatible type: Could select AC110V or AC220V by connecting 2 power lines of 3 wires each.

### S80ADR/ S80ALR LED Revolving Warning Lights

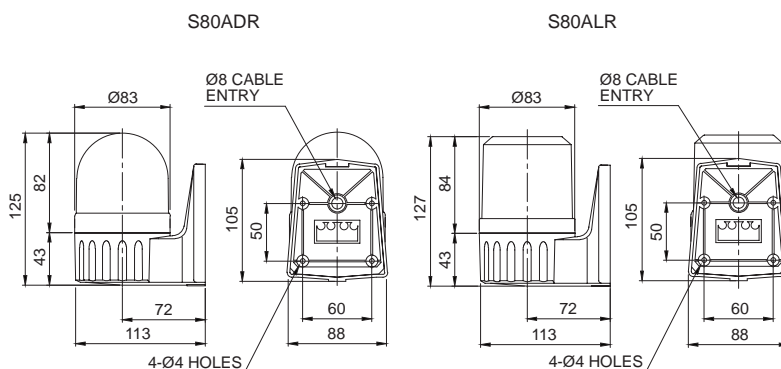
- Equipped wall mount allows for easy assembly. Additional mounting brackets not required
- Terminal block designed inside the side mount bracket enables easy wiring
- Built-in buzzer available (Volume : Max 90dB at 1m)
- Revolving speed : 120-140RPM
- Materials : Lens-AS, Housing-ABS, Reflector-Heat resistant ABS
- Ambient operating temperature : -20°C to +50°C
- Protection rating : IP44
- Compliant with RoHS directive

### Specifications

Model number	Voltage	Current	Certificates	Weight	Color
S80ADR	DC12V	0.183A	-	0.34kg	● R-Red ● A-Amber ● G-Green ● B-Blue
	DC24V	0.127A		0.34kg	
S80ALR	AC110V	0.035A		0.49kg	
	AC220V	0.017A		0.49kg	

### Technical Diagram

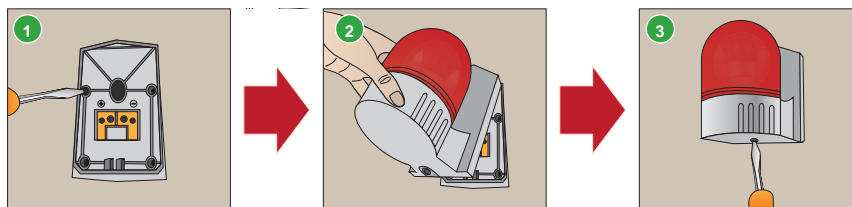
(Units : mm)



### Wiring Instructions

- Attach the power supply wire to the terminal block
- DC Type : Black output line is negative(-)
- AC compatible type shall be connected the black and white wires when using AC110V, and the black and red wires when using AC220V.

### Mounting Instructions



- Secure the base plate to the mounting surface, and the power line to the terminal block
- Mount the warning light by inserting the ring(hook) into the upper part of the base plate
- Screw in the bolt at the base of the mounting bracket to complete assembly

### Ordering Specification

S80ALR	BZ	110	R
[Model number]	[Buzzer option]	[Voltage]	[Color]
<ul style="list-style-type: none"> <li>S80ADR</li> <li>S80ALR</li> </ul>	<ul style="list-style-type: none"> <li>None</li> <li>- No buzzer</li> <li>BZ</li> <li>- Built-in buzzer</li> </ul>	<ul style="list-style-type: none"> <li>12-DC12V</li> <li>24-DC24V</li> <li>110-AC110V</li> <li>220-AC220V</li> </ul>	<ul style="list-style-type: none"> <li>● R-Red</li> <li>● A-Amber</li> <li>● G-Green</li> <li>● B-Blue</li> </ul>



# S80 series

## Ø80mm LED Steady/ Flashing Signal Lights



S80L



### S80L LED Steady/ Flashing Signal Light

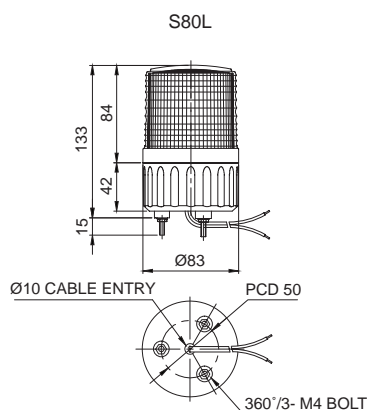
- Ø80mm LED steady/ flashing signal lights
- Multi reflector system emits intense and constant level of signal lights
- Built-in switch for selection between steady and flashing mode
- Built-in buzzer available (Volume : Max 90dB at 1m)
- Flashing rate : 60-80 flashes/min
- Materials : Lens-AS, Housing-ABS, Reflector-Heat resistant ABS
- Ambient operating temperature : -30°C to +50°C
- Protection rating : IP44
- Certificates : CE Compliant
- Compliant with RoHS directive

### Specifications

Model number	Voltage	Current	Certificates	Weight	Color
S80L	DC12V-24V	Max.0.125A	 DC only	0.20kg	• R-Red
	AC110V	0.035A		0.32kg	• A-Amber
	AC220V	0.020A		0.32kg	• G-Green • B-Blue

### Technical Diagram

(Units : mm)



### Wiring Instructions

- External power line standard : UL1015 AWG18(0.75sq)×2C 400mm
- Product can be wired regardless of polarity

### Customization

- Wall mount bracket options :  
Bracket structure allows for threading through the bracket hole or into the wall mount



### Ordering Specification

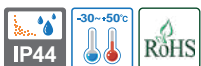
S80L	-	BZ	-	12/24	-	R
[Model number]		[Buzzer option]		[Voltage]		[Color]
• S80L		• None • No buzzer • BZ • Built-in buzzer		• 12/24-DC12V-24V • 110-AC110V • 220-AC220V		• R-Red • A-Amber • G-Green • B-Blue



**Feature of indirect light diffusing system**  
Indirect light diffusing system emits intense and constant level of signal lights via multi reflector throughout the lens.

# S80 series

## Ø80mm LED Steady/ Flashing Signal Lights



### S80LK LED Steady/ Flashing Signal Light

- Ø80mm LED steady/ flashing signal lights
- Circular mount bracket allows for convenient installation
- Buzzer not allowed
- Switch for selection between steady and flashing mode
- Flashing rate : 60-80 flashes/min
- Materials : Lens-AS, Housing-ABS, Reflector-Heat resistant ABS
- Ambient operating temperature : -30°C to +50°C
- Protection rating : IP44
- Compliant with RoHS directive

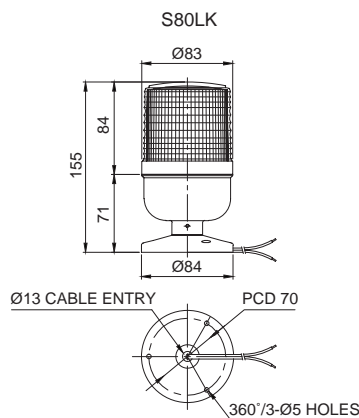


S80LK



Specifications					
Model number	Voltage	Current	Certificates	Weight	Color
S80LK	DC12V-24V	Max.0.125A	 DC only	0.20kg	<ul style="list-style-type: none"> <li><span style="color: red;">●</span> R-Red</li> <li><span style="color: yellow;">●</span> A-Amber</li> <li><span style="color: green;">●</span> G-Green</li> <li><span style="color: blue;">●</span> B-Blue</li> </ul>
	AC110V	0.035A		0.37kg	
	AC220V	0.020A		0.37kg	

### Technical Diagram (Units : mm)



### Wiring Instructions

- External power line standard : UL1015 AWG18(0.75sq)×2C 400mm
- Product can be wired regardless of polarity
- AC compatible type shall be connected the black and white wires when using AC110V, and the black and red wires when using AC220V.

### Customization

• Pole mount type

Standard	QZ18	SZ18	SL18
Steel	PC	Al	Al



※ Please refer to page152-155 for detailed dimension of mount bracket

- AC compatible type: Could select AC110V or AC220V by connecting 2 power lines of 3 wires each.

### Ordering Specification

<b>S80LK</b>	-	<b>24</b>	-	<b>R</b>
[Model number]		[Voltage]		[Color]
• S80LK		• 12/24-DC12V-24V • 110-AC110V • 220-AC220V		<ul style="list-style-type: none"> <li><span style="color: red;">●</span> R-Red</li> <li><span style="color: yellow;">●</span> A-Amber</li> <li><span style="color: green;">●</span> G-Green</li> <li><span style="color: blue;">●</span> B-Blue</li> </ul>

# S80 series

## Ø80mm LED Steady/ Flashing Signal Lights



### S80AL LED Steady/ Flashing Signal Light

- Equipped wall mount allows for easy assembly. Additional mounting brackets not required
- Maintenance reduced with longlasting LED light source
- Buzzer not allowed
- Terminal block designed inside the side mount bracket enables easy wiring
- Built-in buzzer available(Volume : Max 90dB at 1m)
- Built-in switch for selection between steady and flashing mode
- Flashing rate : 60-80 flashes/min
- Materials : Lens-AS, Housing-ABS, Reflector-Heat resistant ABS
- Ambient operating temperature : -30°C to +50°C
- Protection rating : IP44
- Compliant with RoHS directive



### Specifications

Model number	Voltage	Current	Certificates	Weight	Color
S80AL	DC12V-24V	Max.0.125A	CE DC only	0.26kg	<ul style="list-style-type: none"> <li>• R-Red</li> <li>• A-Amber</li> <li>• G-Green</li> <li>• B-Blue</li> </ul>
	AC110V	0.035A		0.35kg	
	AC220V	0.020A		0.35kg	



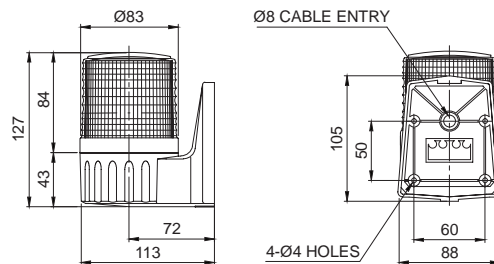
### Technical Diagram

(Units : mm)



S80AL

S80AL

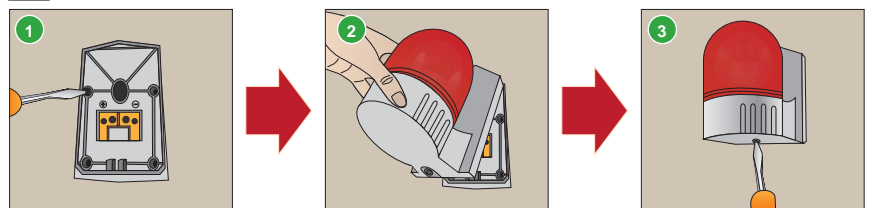


### Wiring Instructions

- Attach the power supply wire to the terminal block
- Product can be wired regardless of polarity



### Mounting Instructions



- 1 Secure the base plate to the mounting surface, and the power line to the terminal block
- 2 Mount the warning light by inserting the ring(hook) into the upper part of the base plate
- 3 Screw in the bolt at the base of the mounting bracket to complete assembly



### Ordering Specification

S80AL	-	BZ	-	110	-	R
[Model number]		[Buzzer option]		[Voltage]		[Color]
• S80AL		<ul style="list-style-type: none"> <li>• None</li> <li>• No buzzer</li> <li>• BZ</li> <li>• Built-in buzzer</li> </ul>		<ul style="list-style-type: none"> <li>• 12/24-DC12V-24V</li> <li>• 110-AC110V</li> <li>• 220-AC220V</li> </ul>		<ul style="list-style-type: none"> <li>• R-Red</li> <li>• A-Amber</li> <li>• G-Green</li> <li>• B-Blue</li> </ul>



### S80A series enable easy wiring

S80A series enables easy wiring with its terminal block attached to the fixed base plate. With this system the contacts in the housing sends power directly to the terminal block.

# Q70NSC

## Ø70mm LED Xenon Lamp Strobe Signal Lights



Q70NSC



### Q70NSC Xenon Lamp Strobe Signal Lights

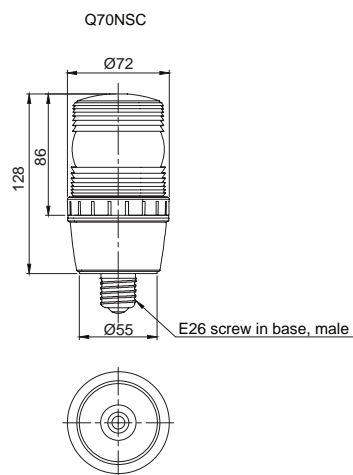
- Ø70mm xenon lamp strobe signal lights
- High efficiency strobe light that offers excellent outdoor visibility and long-distance signal light luminance close to natural light
- Lamp connector fastening structure allows for convenient lamp replacement
- Flashing rate : 60-80 flashes/min
- Materials : Lens-PC, Housing-ABS
- Ambient operating temperature : -40°C to +50°C
- Protection rating : IP66

### Specifications

Model number	Voltage	Current	Certificates	Weight	Color
Q70NSC	AC110V	0.050A	-	0.19kg	<ul style="list-style-type: none"> <li>• R-Red</li> <li>• A-Amber</li> <li>• G-Green</li> <li>• B-Blue</li> </ul>

### Technical Diagram

(Units : mm)



### Wiring Instructions

- Edison screw bulb (E26) socket allows for easy and convenient wiring.



### Ordering Specification

<b>Q70NSC</b>	-	<b>110</b>	-	<b>A</b>
[Model number]		[Voltage]		[Color]
• Q70NSC		• 110-AC110V		<ul style="list-style-type: none"> <li>• R-Red</li> <li>• A-Amber</li> <li>• G-Green</li> <li>• B-Blue</li> </ul>



# Q70NSN

## Ø80mm LED Xenon Lamp Strobe Signal Lights



Q70NSN



### Q70NSN Xenon Lamp Strobe Signal Lights

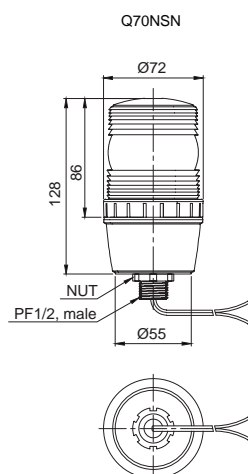
- Ø70mm xenon lamp strobe signal lights
- High efficiency strobe light that offers excellent outdoor visibility and long-distance signal light luminance close to natural light
- Lamp connector fastening structure allows for convenient lamp replacement
- Bottom nut base allows for convenient mounting
- Flashing rate : 60-80 flashes/min
- Materials : Lens-PC, Housing-ABS
- Ambient operating temperature : -40°C to +50°C
- Protection rating : IP66

### Specifications

Model number	Voltage	Current	Certificates	Weight	Color
Q70NSN	DC12V-80V	Max. 0.262A	-	0.188kg	<ul style="list-style-type: none"> <li>• R-Red</li> <li>• A-Amber</li> <li>• G-Green</li> <li>• B-Blue</li> </ul>
	AC110V	0.050A		0.191kg	

### Technical Diagram

(Units : mm)



### Wiring Instructions

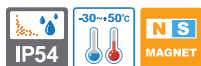
- External power line standard : UL1015 AWG18(0.75sq)×2C 400mm
- Product can be wired regardless of polarity

### Ordering Specification

<b>Q70NSN</b>	-	<b>12/80</b>	-	<b>R</b>
[Model number]		[Voltage]		[Color]
• Q70NSN		<ul style="list-style-type: none"> <li>• 12/80-DC12V-80V</li> <li>• 110-AC110V</li> </ul>		<ul style="list-style-type: none"> <li>• R-Red</li> <li>• A-Amber</li> <li>• G-Green</li> <li>• B-Blue</li> </ul>

# S80 series

## Ø80mm Xenon Lamp Strobe Signal Lights



S80S



S80SM



### Xenon lamp replacement instructions

Convenient lamp replacement with connector lamp type. Lamp replacement is safe after the product is powered off for 30 mins.

### Customization

- AC Type (S80SM)
- Wall mount bracket options (S80S) : Bracket structure allows for threading through the bracket hole or into the wall mount



Wall Mount Bracket  
TWS80



Wall Mount Bracket  
TWA80

### Common Specifications(S80S/ S80SM)

- Ø80mm xenon lamp strobe signal lights
- High efficiency strobe light that offers excellent outdoor visibility and long-distance signal light luminance close to natural light
- Lamp connector fastening structure allows for convenient lamp replacement
- Flashing rate : 60-80 flashes/min
- Materials : Lens-AS, Housing-ABS,
- Ambient operating temperature : -30°C to +50°C
- Protection rating : IP54

### S80S Xenon Lamp Strobe Light

- Certificates : CE Compliant

Model number	Voltage	Current	Bulb			Certificates	Weight	Color
			Spec	Standard	Parts no			
S80S	DC12V-24V	Max. 0.435A	220V -350V	BGA2120 -BBC	47	CE DC only	0.21kg	• R-Red
	AC110V	0.075A		I type			0.21kg	• A-Amber
	AC220V	0.060A					0.21kg	• G-Green • B-Blue

### Wiring Instructions

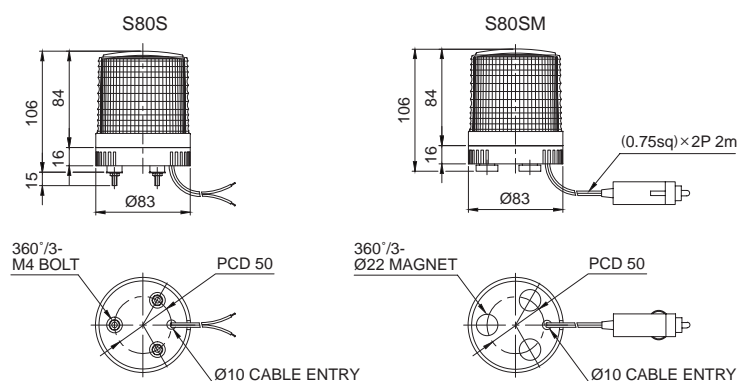
- External power line standard : UL1015 AWG18(0.75sq)×2C 400mm
- Product can be wired regardless of polarity

### S80SM Xenon Lamp Strobe Light Equipped with Magnet

Model number	Voltage	Current	Bulb			Certificates	Weight	Color
			Spec	Standard	Parts no			
S80SM	DC12V -24V	Max. 0.435A	220V -350V	BGA2120 -BBC	47	CE DC only	0.24kg	• R-Red
							0.24kg	• A-Amber • G-Green • B-Blue

### Technical Diagram

(Units : mm)



### Wiring Instructions

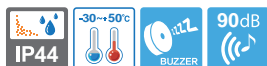
- Cigarette lighter plug : IEC42(0.75sg)×2P 2m

### Ordering Specification

S80S	-	24	-	R
[Model number]		[Voltage]		[Color]
• S80S • S80SM		• 12/24-DC12V-24V • 110-AC110V • 220-AC220V		• R-Red • A-Amber • G-Green • B-Blue

# S80 series

## Ø80mm Xenon Lamp Strobe Signal Lights



S80AS



### S80AS Xenon Lamp Strobe Signal Light

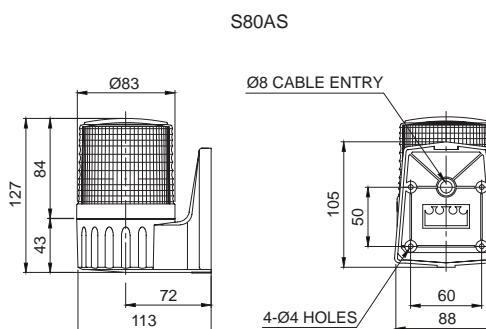
- Ø80mm xenon lamp strobe signal lights
- High efficiency strobe light that offers excellent outdoor visibility and long-distance signal light luminance close to natural light
- Lamp connector fastening structure allows for convenient lamp replacement
- Built-in buzzer available (Volume : Max 90dB at 1m)
- Flashing rate : 60-80 flashes/min
- Materials : Lens-AS, Housing-ABS
- Ambient operating temperature : -30°C to +50°C
- Protection rating : IP44

### Specifications

Model number	Voltage	Current	Bulb			Certificates	Weight	Color
			Spec	Standard	Parts no			
S80AS	DC12V-24V	Max. 0.435A	220V -350V	BGA2120 -BBC I type	47	-	0.27kg	• R-Red
	AC110V	0.075A					0.27kg	• A-Amber
	AC220V	0.060A					0.24kg	• G-Green
							0.24kg	• B-Blue

### Technical Diagram

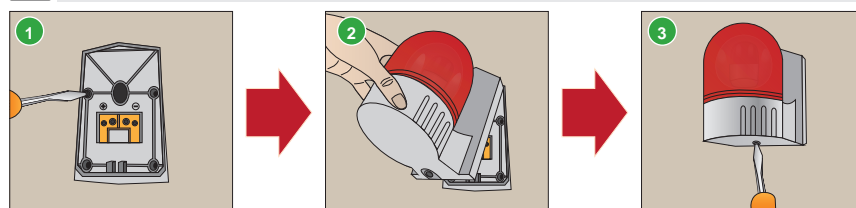
(Units : mm)



### Wiring Instructions

- Attach the power supply wire to the terminal block
- Product can be wired regardless of polarity

### Mounting Instructions



- 1 Secure the base plate to the mounting surface, and the power line to the terminal block
- 2 Mount the warning light by inserting the ring(hook) into the upper part of the base plate
- 3 Screw in the bolt at the base of the mounting bracket to complete assembly

### Ordering Specification

S80AS	BZ	12/24	R
[Model number]	[Buzzer option]	[Voltage]	[Color]
• S80AS	• None • No buzzer • BZ • Built-in buzzer	• 12/24-DC12V-24V • 110-AC110V • 220-AC220V	• R-Red • A-Amber • G-Green • B-Blue



### S80A series enable easy wiring

S80A series enables easy wiring with its terminal block attached to the fixed base plate. With this system the contacts in the housing sends power directly to the terminal block.

# S80 series

## Ø80mm LED Strobe Signal Lights



Superior light output similar to xenon lamp through novel diffusion lens



S80NS

### S80NS LED Strobe Signal Light

- Ø80mm LED strobe signal lights
- LED lights can be strongly emitted by convex lens
- Adopts excellent light distribution structure
- LED lamp provides high durability in conveyor machines, cars, press machines which have vibration and impact
- Excellent durability and air tightness by sealed PCB
- Adopts strobe type for good visibility
- Flashing rate : 50-60 flashes/min
- Materials : lens-PC, Housing-ABS+GF
- Ambient operating temperature : -30°C to +50°C
- Protection rating : IP66

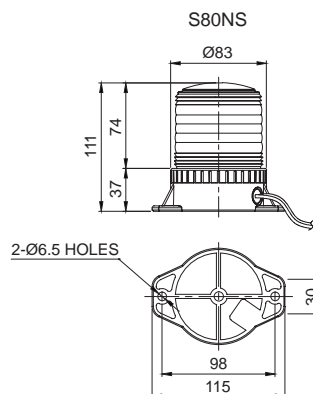
### Specifications

Model number	Voltage	Current	Certificates	Weight	Color
S80NS	DC12V-24V	Max 0.650A	 	0.50kg	<ul style="list-style-type: none"> <li>• R-Red</li> <li>• A-Amber</li> <li>• G-Green</li> <li>• B-Blue</li> </ul>

※ DC type allows free voltage with range of 10V-30V.

### Technical Diagram

(Units : mm)



S80NS is sealed by epoxy inside of product. Good performance in poor environments such as high vibration, impact, heavy dust and poor weather.

### Wiring Instructions

- External power line standard : UL1015 AWG18(0.75sq)×2C 400mm
- Product can be wired regardless of polarity

### Ordering Specification

<b>S80NS</b>	-	<b>12/24</b>	-	<b>A</b>
[Model number]		[Voltage]		[Color]
• S80NS		• 12/24-DC12V-24V		<ul style="list-style-type: none"> <li>• R-Red</li> <li>• A-Amber</li> <li>• G-Green</li> <li>• B-Blue</li> </ul>



# S80 series

## Ø80mm LED Strobe Signal Light for Forklift



### Enhanced visibility by adopting a diffusion lens



S80LS

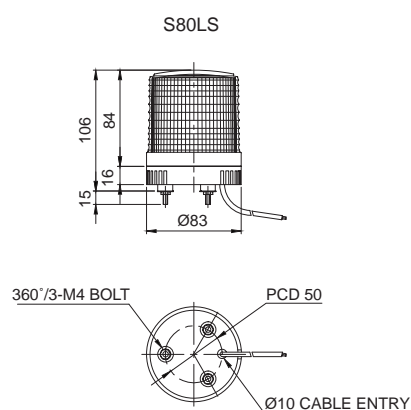
### S80LS LED Strobe Signal Light for Forklifts

- Ø80mm LED strobe signal light
- Extremely bright signal light that reduces attenuation of the signal light
- Excellent visibility in daytime as bulb or xenon lamp
- Vibration and water resistance product
- Flashing rate : 60-80 flashes/min
- Materials : Lens-PC, Housing-ABS
- Ambient operating temperature : -30°C to +50°C
- Protect rating : IP65
- Certificates : CE Compliant, UL Listed

Specifications					
Model number	Voltage	Current	Certificates	Weight	Color
S80LS	DC12V-24V	Max 0.160A	  DC24V only	0.25kg	<ul style="list-style-type: none"> <li><span style="color: red;">•</span> R-Red</li> <li><span style="color: yellow;">•</span> A-Amber</li> <li><span style="color: green;">•</span> G-Green</li> <li><span style="color: blue;">•</span> B-Blue</li> </ul>

※ DC type allows free voltage with range of 10V-30V.

### Technical Diagram (Units : mm)



S80LS has an extremely bright signal light that reduces signal attenuation under direct sunlight. Therefore, signal light output of this lamp has excellent visibility similar to a bulb or xenon lamp in daytime.

### Wiring Instructions

- External power line standard : UL2464 AWG20(0.5sq) × 2C 400mm
- Product can be wired regardless of polarity

### Ordering Specification

<b>S80LS</b>	-	<b>12/24</b>	-	<b>R</b>
[Model number]		[Voltage]		[Color]
• S80LS		• 12/24-DC12V-24V		<ul style="list-style-type: none"> <li><span style="color: red;">•</span> R-Red</li> <li><span style="color: yellow;">•</span> A-Amber</li> <li><span style="color: green;">•</span> G-Green</li> <li><span style="color: blue;">•</span> B-Blue</li> </ul>

# S125LSE

## Ø125mm LED Strobe Signal Lights



S125LSE

### S125LSE LED Strobe Signal Light

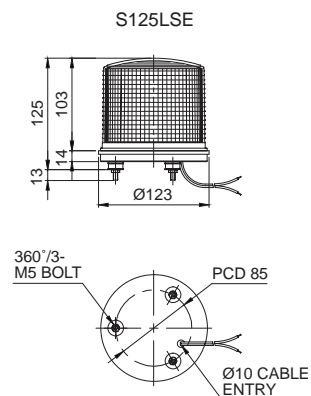
- Ø125mm LED strobe signal lights
- Extremely bright signal light that reduces attenuation of the signal light
- Excellent visibility in daytime as bulb or xenon lamp
- Vibration and water resistance product
- Flashing rate : 60-80 flashes/min
- Materials : lens-PC, Housing-ABS
- Ambient operating temperature : -30°C to +50°C
- Protection rating : IP54

### Specifications

Model number	Voltage	Current	Certificates	Weight	Color
S125LSE	DC12V-24V	Max. 1.000A	-	0.33kg	<ul style="list-style-type: none"> <li>• R-Red</li> <li>• A-Amber</li> <li>• G-Green</li> <li>• B-Blue</li> </ul>
				0.33kg	

### Technical Diagram

(Units : mm)



### Wiring Instructions

- External power line standard : UL1015 AWG18(0.75sq)×2C 400mm
- Product can be wired regardless of polarity

### Customization

- Wall mount bracket :  
Power line threading the bracket hole or into the wall mount

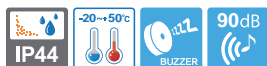


### Ordering Specification

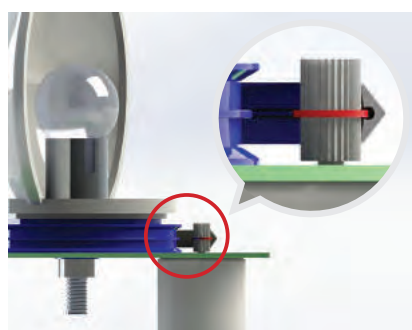
<b>S125LSE</b>	-	<b>24</b>	-	<b>R</b>
[Model number]		[Voltage]		[Color]
• S125LSE		• 12-DC12V • 24-DC24V		<ul style="list-style-type: none"> <li>• R-Red</li> <li>• A-Amber</li> <li>• G-Green</li> <li>• B-Blue</li> </ul>

# S100 series

## Ø100mm Bulb Revolving Signal Light



S100R



**V belt type power transfer system feature**  
Designed to minimize the abrasion of the belt, and to efficiently deliver torque from the drive shaft to the reflector.

### Common Specifications(S100R/ S100U/ S100UA/ S100M)

- Ø100mm general-purpose bulb revolving signal lights
- Adopts a special power transmission system that reduces noise and wear
- Built-in buzzer available (Volume : max 90dB at 1M)
- Revolving speed : 120-140RPM
- Material : Lens-AS, Housing-ABS, Reflector-Heat resistant ABS
- Ambient operating temperature : -20°C to +50°C

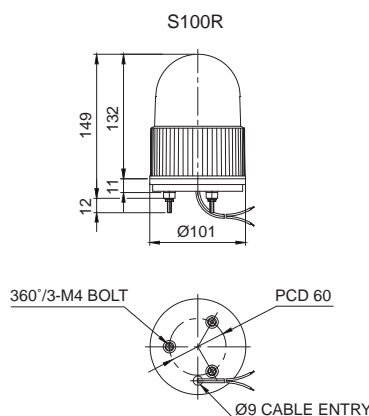
### S100R Bulb Revolving Signal Light

- Protection rating : IP 44
- Certificates : CE Compliant

Model number	Voltage	Current	Bulb			Certificates	Weight	Color
			Spec	Standard	Parts no			
S100R	DC12V	0.966A	12V10W	T16x35 15S	9	CE	0.34kg	<ul style="list-style-type: none"> <li>● R-Red</li> <li>● A-Amber</li> <li>● G-Green</li> <li>● B-Blue</li> </ul>
	DC24V	0.566A	24V10W	T16x35 15S	10		0.34kg	
	AC110V	0.130A	12V10W	T16x35 15S	9		0.60kg	
	AC220V	0.065A	12V10W	T16x35 15S	9		0.60kg	

### Technical Diagram

(Units : mm)



### Wiring Instructions

- External power line standard : UL1015 AWG18(0.75sq)×2C 400mm
- DC Type: Black output line is negative(-)
- AC compatible type shall be connected the black and white wires when using AC110V, and the black and red wires when using AC220V.

### Customization

- AC compatible type: Could select AC110V or AC220V by connecting 2 power lines of 3 wires each.
- Efficient type with AC bulb(Model number : S100E)
- FT bracket equipped (Model number : S100E-FT)
- Wall mount bracket : Power line threading the bracket hole or into the wall mount



S100E



S100E-FT



Wall Mount Bracket SWP125



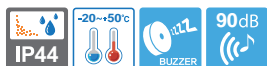
Wall Mount Bracket SWM125

### Ordering Specification

<b>S100R</b>	-	<b>BZ</b>	-	<b>24</b>	-	<b>R</b>
[Model number]		[Buzzer option]		[Voltage]		[Color]
• S100R		• None - No buzzer • BZ - Built-in buzzer		• 12-DC12V • 24-DC24V • 110-AC110V • 220-AC220V		• R-Red • A-Amber • G-Green • B-Blue

# S100 series

## Ø100mm Bulb Revolving Signal Lights

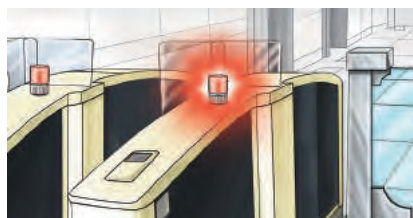


**S100U**



**S100UA**

Enhanced diffusion through a special 12 sided diffusive lens



S100U set on 1<sup>st</sup> floor security gate of public office for disabled persons.

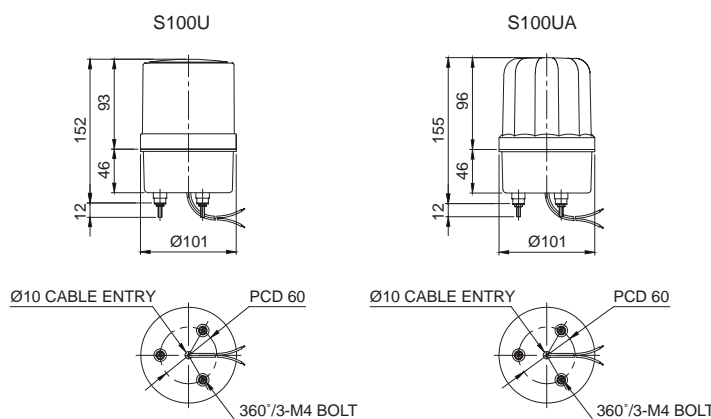
### S100U/ S100UA Bulb Revolving Signal Lights

• Protection rating : IP44

Model number	Voltage	Current	Bulb			Certificates	Weight	Color
			Spec	Standard	Parts no			
S100U	DC12V	0.966A	12V10W	T16x35 15S	9	CE	0.36kg	<ul style="list-style-type: none"> <li>● R-Red</li> <li>● A-Amber</li> <li>● G-Green</li> <li>● B-Blue</li> </ul>
	DC24V	0.566A	24V10W	T16x35 15S	10		0.36kg	
S100UA	AC110V	0.130A	12V10W	T16x35 15S	9		0.59kg	
	AC220V	0.065A	12V10W	T16x35 15S	9		0.59kg	

#### Technical Diagram

(Units : mm)



#### Wiring Instructions

- External power line standard : UL1015 AWG18(0.75sq)×2C 400mm
- DC type : Black output line is negative(-)
- AC compatible type shall be connected the black and white wires when using AC110V, and the black and red wires when using AC220V.

#### Customization

- 2 buzzer sound types : Both prolonged(beep, beep) and staccato(beep, beep, beep) buzzer output available
- AC compatible type: Could select AC110V or AC220V by connecting 2 power lines of 3 wires each.

• Product used dome type lens (Model number : S100UR)

• Wall mount bracket options : Bracket structure allows for threading through the bracket hole or into the wall mount



**S100UR**



Wall Mount Bracket  
**SWP125**



Wall Mount Bracket  
**SWM125**

#### Ordering Specification

S100U	BZ	220	R
[Model number]	[Buzzer option]	[Voltage]	[Color]
<ul style="list-style-type: none"> <li>• S100U</li> <li>• S100UA</li> </ul>	<ul style="list-style-type: none"> <li>• None</li> <li>- No buzzer</li> <li>• BZ</li> <li>- Built-in buzzer</li> </ul>	<ul style="list-style-type: none"> <li>• 12-DC12V</li> <li>• 24-DC24V</li> <li>• 110-AC110V</li> <li>• 220-AC220V</li> </ul>	<ul style="list-style-type: none"> <li>● R-Red</li> <li>● A-Amber</li> <li>● G-Green</li> <li>● B-Blue</li> </ul>



# S100 series

## Ø100mm Bulb Revolving Signal Lights



S100M

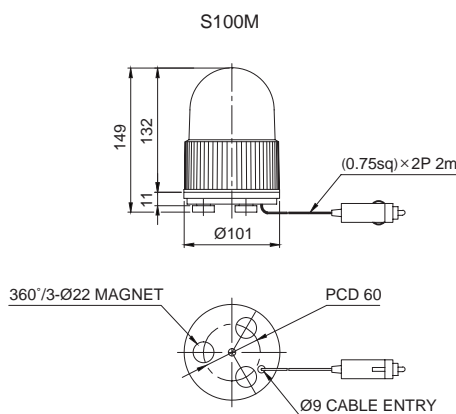


### S100M Bulb Revolving Signal Light for Vehicle

- Three powerful magnets provide strong adhesion to the vehicle
- Power supply through cigarette lighter plug
- Protection rating : IP54

Model number	Voltage	Current	Bulb			Certificates	Weight	Color
			Spec	Standard	Parts no			
S100M	DC12V	0.966A	12V10W	T16x35 15S	9	CE	0.37kg	● R-Red
	DC24V	0.566A	24V10W	T16x35 15S	10		0.37kg	● A-Amber ● G-Green ● B-Blue

### Technical Diagram (Units : mm)



### Wiring Instructions

- Cigarette lighter plug, IEC42(0.75sq)×2P 2m

### Customization

- AC Type

### Ordering Specification

<b>S100M</b>	-	<b>BZ</b>	-	<b>24</b>	-	<b>R</b>
[Model number]		[Buzzer option]		[Voltage]		[Color]
• S100M		• None - No buzzer • BZ - Built-in buzzer		• 12-DC12V • 24-DC24V		● R-Red ● A-Amber ● G-Green ● B-Blue

# S100 series

## Ø100mm LED Revolving Warning Lights



S100LR



### Common Specifications(S100LR/ S100MLR)

- Ø100mm general purpose LED revolving warning lights
- Shock and vibration-resistant and easy maintenance with long-lasting LED light source
- Excellent omni-directional visibility with LED light collecting system and special multifaceted reflector
- Circular mount bracket allows convenient installation
- Built-in buzzer available (Volume : Max 90dB at 1m)
- Revolving speed : 120-140RPM
- Materials : Lens-AS, Housing-ABS, Reflector-Heat resistant ABS
- Ambient operating temperature : -20°C to +50°C



### S100LR LED Revolving Warning Light

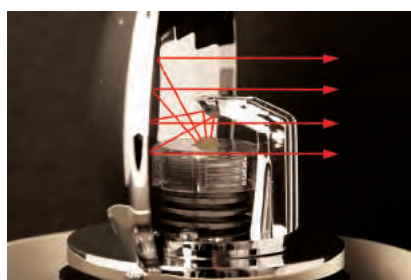
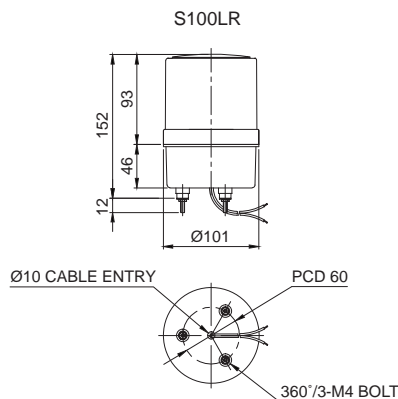
- Protection rating : IP44
- Compliant with RoHS directive

Model number	Voltage	Current	Certificates	Weight	Color
S100LR	DC12V	0.183A	-	0.39kg	● R-Red
	DC24V	0.127A		0.39kg	● A-Amber
	AC110V	0.035A		0.47kg	● G-Green
	AC220V	0.017A		0.47kg	● B-Blue



### Technical Diagram

(Units : mm)



### Feature of LED revolving warning light

LED revolving warning light has Qlight's distinctive LED light collecting system and special multifaceted reflector allowing excellent omni-directional visibility.



### Wiring Instructions

- External power line standard : UL1015 AWG18(0.75sq)×2C 400mm
- DC Type : Black output line is negative(-)
- AC compatible type shall be connected the black and white wires when using AC110V, and the black and red wires when using AC220V.



### Customization

- 2 buzzer sound types : Both prolonged(beep, beep) and staccato(beep, beep, beep) buzzer output available
- AC compatible type: Could select AC110V or AC220V by connecting 2 power lines of 3 wires each.

• Model number : S100RLR/ S100DR	• Wall mount bracket options : Bracket structure allows for threading through the bracket hole or into the wall mount
 S100RLR	 S100DR
 Wall Mount Bracket SWP125	 Wall Mount Bracket SWM125



### Ordering Specification

<b>S100LR</b>	-	<b>BZ</b>	-	<b>220</b>	-	<b>R</b>
[Model number]		[Buzzer option]		[Voltage]		[Color]
• S100LR		• None - No buzzer • BZ - Built-in buzzer		• 12-DC12V • 24-DC24V • 110-AC110V • 220-AC220V		• R-Red • A-Amber • G-Green • B-Blue

# S100 series

## Ø100mm LED Revolving Warning Lights for Vehicle



S100MLR

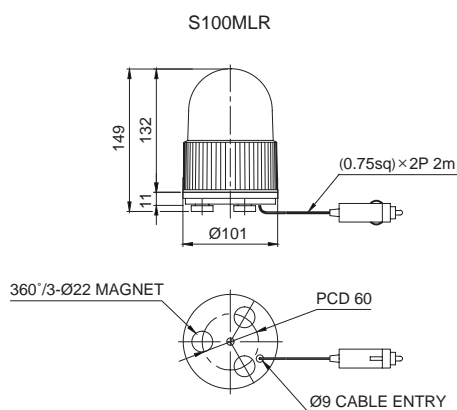


### S100MLR LED Revolving Warning Light for Vehicle

- Three powerful magnets provide strong adhesion to the vehicle
- Power is supplied through the cigarette lighter plug
- Shock and vibration-resistant from vehicle operation with long-lasting LED
- Excellent omni-directional visibility with LED light collecting system and special multifaceted reflector
- Protection rating : IP54

Model number	Voltage	Current	Certificates	Weight	Color
S100MLR	DC12V	0.183A	-	0.37kg	<ul style="list-style-type: none"> <li>● R-Red</li> <li>● A-Amber</li> <li>● G-Green</li> <li>● B-Blue</li> </ul>
	DC24V	0.127A		0.37kg	

### Technical Diagram (Units : mm)



### Wiring Instructions

- Cigarette lighter plug, IEC42(0.75sq)×2P 2m

### Customization

- AC Type

### Ordering Specification

S100MLR	-	BZ	-	24	-	R
[Model number]		[Buzzer option]		[Voltage]		[Color]
• S100MLR		<ul style="list-style-type: none"> <li>• None</li> <li>- No buzzer</li> <li>• BZ</li> <li>- Built-in buzzer</li> </ul>		<ul style="list-style-type: none"> <li>• 12-DC12V</li> <li>• 24-DC24V</li> </ul>		<ul style="list-style-type: none"> <li>● R-Red</li> <li>● A-Amber</li> <li>● G-Green</li> <li>● B-Blue</li> </ul>

# S100 series

## Ø100mm LED Steady/ Flashing Signal Lights



**S100L**



### Feature of indirect light diffusing system

Qlight's Indirect light diffusing system emits an intense and constant level of signal light via a multi-tiered reflector throughout the lens.

### S100L LED Steady/ Flashing Signal Light

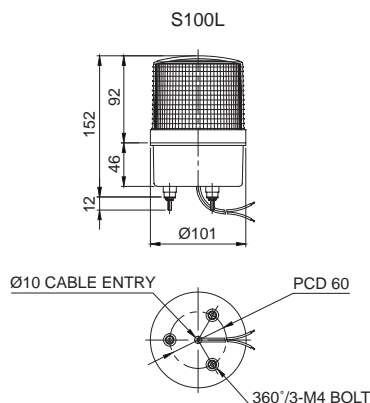
- Ø100mm multi-purpose LED steady/ flashing signal light
- Shock and vibration-resistant and easy maintenance with long-lasting LED
- Built-in switch for selection between steady and flashing mode
- Material : Lens - AS, Housing - ABS, Reflector - Heat resistant ABS
- Ambient operating temperature : -30°C to +50°C
- Protection rating : IP44
- Certificates : KIMM, CE Compliant
- Compliant with RoHS directive

### Specifications

Model number	Voltage	Current	Certificates	Weight	Color
S100L	DC12V-24V	Max.0.185A	DC only	0.26kg	<ul style="list-style-type: none"> <li>• R-Red</li> <li>• A-Amber</li> <li>• G-Green</li> <li>• B-Blue</li> </ul>
	AC110V	0.045A		0.45kg	
	AC220V	0.025A		0.45kg	

### Technical Diagram

(Units : mm)



### Wiring Instructions

- External power line standard : UL1015 AWG18(0.75sq)×2C 400mm
- Product can be wired regardless of polarity

### Customization

- 2 buzzer sound types : Both prolonged (beep, beep) and staccato(beep, beep, beep) buzzer output available
- Wall mount bracket options : Bracket structure allows for threading through the bracket hole or into the wall mount



### Ordering Specification

S100L	-	BZ	-	220	-	R
[Model number]		[Buzzer option]		[Voltage]		[Color]
• S100L		<ul style="list-style-type: none"> <li>• None</li> <li>- No buzzer</li> <li>• BZ</li> <li>- Built-in buzzer</li> </ul>		<ul style="list-style-type: none"> <li>• 12/24-DC12V-24V</li> <li>• 110-AC110V</li> <li>• 220-AC220V</li> </ul>		<ul style="list-style-type: none"> <li>• R-Red</li> <li>• A-Amber</li> <li>• G-Green</li> <li>• B-Blue</li> </ul>



# S100 series

## Ø100mm Xenon Lamp Strobe Signal Lights



**S100S**



**S100SM**



### Xenon lamp replacement instructions

Convenient lamp replacement with connector lamp type. Lamp replacement is safe after the product is powered off for 30 mins.

### Customization

- AC type (S100SM)
- Wall mount bracket options (S100S) : Bracket structure allows for threading through the bracket hole or into the wall mount



Wall Mount Bracket  
**SWP125**



Wall Mount Bracket  
**SWM125**

### Common Specifications(S100S/ S100SM)

- Ø100mm xenon lamp strobe signal lights
- High efficiency strobe light that offers excellent outdoor visibility and long-distance signal light luminance close to natural light
- Lamp connector structure for convenient lamp replacement
- Flashing rate : 60-80 flashes/min
- Material : Lens -AS, Housing-ABS
- Ambient operating temperature : -30°C to +50°C
- Protection rating : IP54

### S100S Xenon Lamp Strobe Signal Light

- Certificates : KIMM, CE Compliant

Model number	Voltage	Current	Bulb			Certificates	Weight	Color
			Spec	Standard	Parts no			
S100S	DC12V -24V	Max. 1.000A	200V -550V	EUB0641 -1A(G) U type	48	CE DC only	0.25kg	• R-Red • A-Amber • G-Green • B-Blue
	AC110V	0.135A					0.25kg	
	AC220V	0.105A					0.25kg	

### Wiring Instructions

- External power line standard : UL1015 AWG18(0.75sq)×2C 400mm
- Product can be wired regardless of polarity

### S100SM Magnet Mount Xenon Lamp Strobe Signal Light

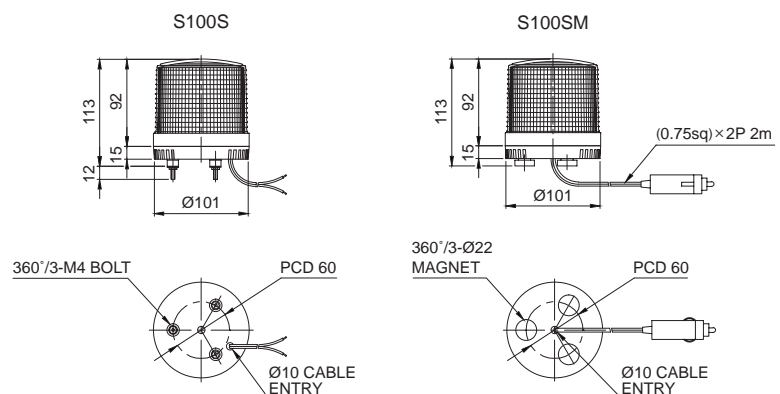
Model number	Voltage	Current	Bulb			Certificates	Weight	Color
			Spec	Standard	Parts no			
S100SM	DC12V -24V	Max. 1.000A	200V -550V	EUB0641 -1A(G) U type	48	CE DC only	0.34kg	• R-Red • A-Amber • G-Green • B-Blue

### Wiring Instructions

- Cigarette lighter plug, IEC42(0.75sq)×2P 2m

### Technical Diagram

(Units : mm)

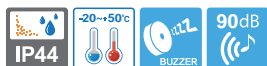


### Ordering Specification

<b>S100S</b>	-	<b>220</b>	-	<b>R</b>
[Model number]		[Voltage]		[Color]
• S100S • S100SM		• 12/24-DC12V-24V • 110-AC110V • 220-AC220V		• R-Red • A-Amber • G-Green • B-Blue

# S125 series

## Ø125mm Bulb Revolving Warning Lights



**S125R**

### Common Specifications(S125R/ S125U/ S125M)

- Ø125mm standard-sized bulb revolving warning lights
- Adopts a special power transmission system that reduces noise and wear
- Built-in buzzer available (Volume : Max 90dB at 1m)
- Revolving speed : 120-140RPM
- Materials : Lens-AS, Housing-ABS, Reflector-Heat resistant ABS
- Ambient operating temperature : -20°C to +50°C

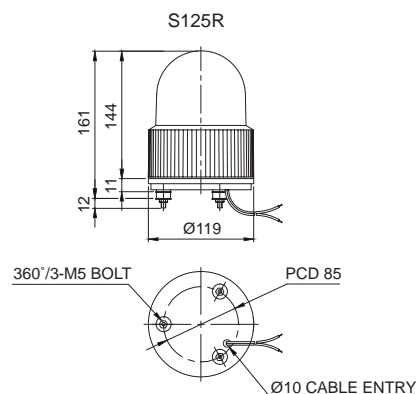
### S125R Bulb Revolving Warning Light

- Protection rating : IP44
- Certificates : CE Compliant

Model number	Voltage	Current	Bulb			Certificates	Weight	Color
			Spec	Standard	Parts no			
S125R	DC12V	0.966A	12V10W	T16x35 15S	9	CE DC only	0.40kg	<ul style="list-style-type: none"> <li>● R-Red</li> <li>● A-Amber</li> <li>● G-Green</li> <li>● B-Blue</li> </ul>
	DC24V	0.566A	24V10W	T16x35 15S	10		0.40kg	
	AC110V	0.130A	12V10W	T16x35 15S	9		0.65kg	
	AC220V	0.065A	12V10W	T16x35 15S	9		0.65kg	

### Technical Diagram

(Units : mm)



### Wiring Instructions

- External power line standard : UL1015 AWG18(0.75sq)×2C 400mm
- DC type : Black output line is negative(-)
- AC compatible type shall be connected the black and white wires when using AC110V, and the black and red wires when using AC220V.

### Customization

- AC compatible type: Could select AC110V or AC220V by connecting 2 power lines of 3 wires each.

- Cost efficient model with AC type bulb (Model number : S125E)
- Item used FT bracket (Model number : S125E-FT)
- Wall mount bracket options : Bracket structure allows for threading through the bracket hole or into the wall mount



**S125E**



**S125E-FT**



Wall Mount Bracket  
**SWP125**



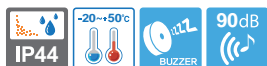
Wall Mount Bracket  
**SWM125**

### Ordering Specification

S125R	-	BZ	-	220	-	R
[Model number]		[Buzzer option]		[Voltage]		[Color]
• S125R		<ul style="list-style-type: none"> <li>• None</li> <li>- No buzzer</li> <li>• BZ</li> <li>- Built-in buzzer</li> </ul>		<ul style="list-style-type: none"> <li>• 12-DC12V</li> <li>• 24-DC24V</li> <li>• 110-AC110V</li> <li>• 220-AC220V</li> </ul>		<ul style="list-style-type: none"> <li>● R-Red</li> <li>● A-Amber</li> <li>● G-Green</li> <li>● B-Blue</li> </ul>

# S125 series

## Ø125mm Bulb Revolving Warning Lights



S125U



CNC machine equipped with S125U

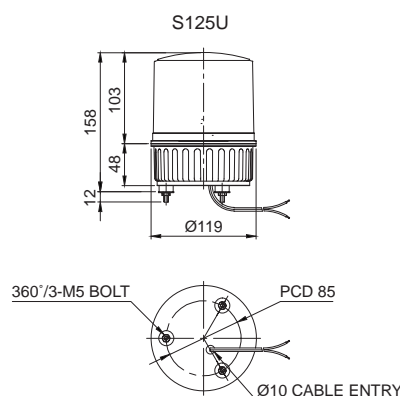
### S125U Bulb Revolving Warning Light

• Protection rating : IP44

Model number	Voltage	Current	Bulb			Certificates	Weight	Color
			Spec	Standard	Parts no			
S125U	DC12V	0.966A	12V10W	T16x35 15S	9	CE DC only	0.41kg	<ul style="list-style-type: none"> <li>● R-Red</li> <li>● A-Amber</li> <li>● G-Green</li> <li>● B-Blue</li> </ul>
	DC24V	0.566A	24V10W	T16x35 15S	10		0.41kg	
	AC110V	0.130A	12V10W	T16x35 15S	9		0.65kg	
	AC220V	0.065A	12V10W	T16x35 15S	9		0.65kg	

### Technical Diagram

(Units : mm)



### Wiring Instructions

- External power line standard : UL1015 AWG18(0.75sq)×2C 400mm
- DC Type : Black output line is negative(-)
- AC compatible type shall be connected the black and white wires when using AC110V, and the black and red wires when using AC220V.

### Customization

- 2 buzzer sound types : Both prolonged (beep, beep) and staccato(beep, beep, beep) buzzer output available
- Wall mount bracket options : Bracket structure allows for threading through the bracket hole or into the wall mount
- AC compatible type: Could select AC110V or AC220V by connecting 2 power lines of 3 wires each.



### Ordering Specification

S125U	-	BZ	-	220	-	R
[Model number]		[Buzzer option]		[Voltage]		[Color]
• S125U		<ul style="list-style-type: none"> <li>• None</li> <li>- No buzzer</li> <li>• BZ</li> <li>- Built-in buzzer</li> </ul>		<ul style="list-style-type: none"> <li>• 12-DC12V</li> <li>• 24-DC24V</li> <li>• 110-AC110V</li> <li>• 220-AC220V</li> </ul>		<ul style="list-style-type: none"> <li>● R-Red</li> <li>● A-Amber</li> <li>● G-Green</li> <li>● B-Blue</li> </ul>

# S125 series

## Ø125mm Bulb Revolving Warning Lights



S125M



### S125M Bulb Revolving Warning Light for Vehicle

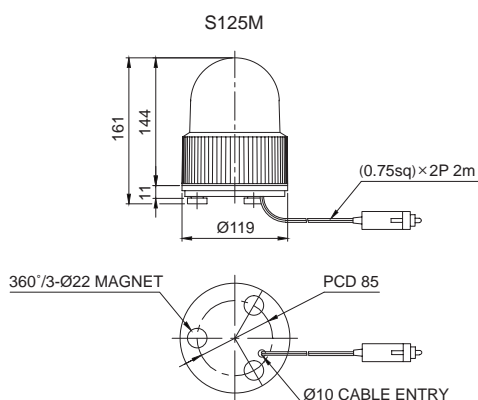
- Three powerful magnets provide strong adhesion to the vehicle
- Power supply through cigarette lighter plug
- Protection rating : IP54

Model number	Voltage	Current	Bulb			Certificates	Weight	Color
			Spec	Standard	Parts no			
S125M	DC12V	0.966A	12V10W	T16x35 15S	9	CE	0.45kg	<ul style="list-style-type: none"> <li>● R-Red</li> <li>● A-Amber</li> <li>● G-Green</li> <li>● B-Blue</li> </ul>
	DC24V	0.566A	24V10W	T16x35 15S	10		0.45kg	



#### Technical Diagram

(Units : mm)



#### Wiring Instructions

- Cigarette lighter plug, IEC42(0.75sq)×2P 2m



#### Customization

- AC type



#### Ordering Specification

S125M	-	BZ	-	24	-	R
[Model number]		[Buzzer option]		[Voltage]		[Color]
• S125M		<ul style="list-style-type: none"> <li>• None</li> <li>- No buzzer</li> <li>• BZ</li> <li>- Built-in buzzer</li> </ul>		<ul style="list-style-type: none"> <li>• 12-DC12V</li> <li>• 24-DC24V</li> </ul>		<ul style="list-style-type: none"> <li>● R-Red</li> <li>● A-Amber</li> <li>● G-Green</li> <li>● B-Blue</li> </ul>

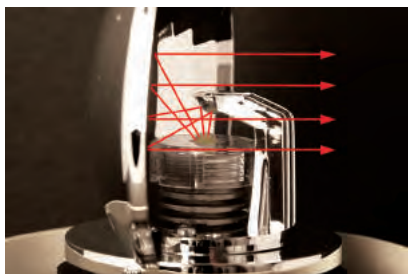


# S125 series

## Ø125mm LED Revolving Warning Lights



S125LR



### Feature of LED revolving warning light

LED revolving warning light has Qlight's distinctive LED light collecting system and special multifaceted reflector allowing excellent omni-directional visibility.



### Wiring Instructions

- External power line standard : UL1015 AWG18(0.75sq)×2C 400mm
- DC Type: Black output line is negative(-)
- AC compatible type shall be connected the black and white wires when using AC110V, and the black and red wires when using AC220V.



### Common Specifications(S125LR/ S125MLR)

- Ø125mm standard LED revolving warning lights
- Excellent omni-directional visibility with LED light collecting system and special multifaceted reflector
- Built-in buzzer available(Volume : Max 90dB at 1m)
- Revolving speed : 120-140RPM
- Materials : Lens - AS, Housing - ABS, Reflector - Heat resistant ABS
- Ambient operating temperature : -20°C to +50°C



### S125LR LED Revolving Warning Light

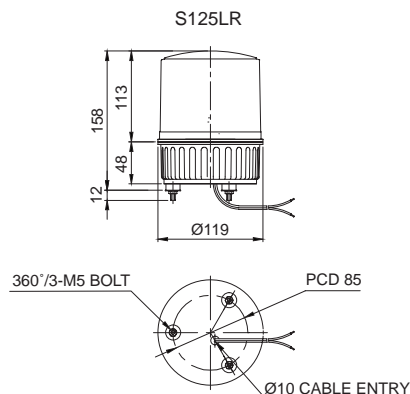
- Protection rating : IP44
- Compliant with RoHS directive

Model number	Voltage	Current	Certificates	Weight	Color
S125LR	DC12V	0.422A	-	0.43kg	<ul style="list-style-type: none"> <li>● R-Red</li> <li>● A-Amber</li> <li>● G-Green</li> <li>● B-Blue</li> </ul>
	DC24V	0.266A		0.43kg	
	AC110V	0.082A		0.66kg	
	AC220V	0.041A		0.66kg	



### Technical Diagram

(Units : mm)



### Customization

- 2 buzzer sound types : Both prolonged(beep, beep) and staccato(beep, beep, beep) buzzer output available
- AC compatible type: Could select AC110V or AC220V by connecting 2 power lines of 3 wires each.

- Same design with S125R (Model number : S125RLR)
- Wall mount bracket options : Bracket structure allows for threading through the bracket hole or into the wall mount



S125RLR



Wall Mount Bracket  
SWP125



Wall Mount Bracket  
SWM125



### Ordering Specification

S125LR	BZ	220	R
[Model number]	[Buzzer option]	[Voltage]	[Color]
<ul style="list-style-type: none"> <li>• S125LR</li> </ul>	<ul style="list-style-type: none"> <li>• None</li> <li>- No buzzer</li> <li>• BZ</li> <li>- Built-in buzzer</li> </ul>	<ul style="list-style-type: none"> <li>• 12-DC12V</li> <li>• 24-DC24V</li> <li>• 110-AC110V</li> <li>• 220-AC220V</li> </ul>	<ul style="list-style-type: none"> <li>● R-Red</li> <li>● A-Amber</li> <li>● G-Green</li> <li>● B-Blue</li> </ul>

# S125 series

## Ø125mm LED Revolving Warning Lights



S125MLR

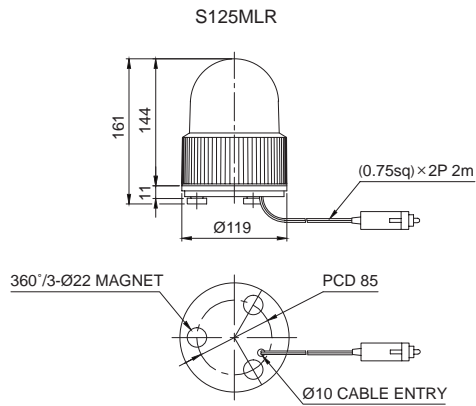


### S125MLR LED Revolving Warning Lights for Vehicle

- Three powerful magnets provide strong adhesion to the vehicle
- Power supply through cigarette lighter plug
- Shock and vibration-resistant from the vehicle with long-lasting LED light bulbs
- Excellent omni-directional visibility with LED light collecting system and special multi-faced reflector
- Protection rating : IP54

Model number	Voltage	Current	Certificates	Weight	Color
S125MLR	DC12V	0.422A	-	0.46kg	<ul style="list-style-type: none"> <li>• R-Red</li> <li>• A-Amber</li> <li>• G-Green</li> <li>• B-Blue</li> </ul>
	DC24V	0.266A		0.46kg	

### Technical Diagram (Units : mm)



### Wiring Instructions

- Cigarette lighter plug, IEC42(0.75sq)×2P 2m

### Customization

- AC type

### Ordering Specification

S125MLR	-	BZ	-	24	-	R
[Model number]		[Buzzer option]		[Voltage]		[Color]
• S125MLR		<ul style="list-style-type: none"> <li>• None</li> <li>- No buzzer</li> <li>• BZ</li> <li>- Built-in buzzer</li> </ul>		<ul style="list-style-type: none"> <li>• 12-DC12V</li> <li>• 24-DC24V</li> <li>• 110-AC110V</li> <li>• 220-AC220V</li> </ul>		<ul style="list-style-type: none"> <li>• R-Red</li> <li>• A-Amber</li> <li>• G-Green</li> <li>• B-Blue</li> </ul>

# S125 series

## Ø125mm LED Steady/ Flashing Signal Lights



S125L



### S125L LED Steady/ Flashing Signal Light

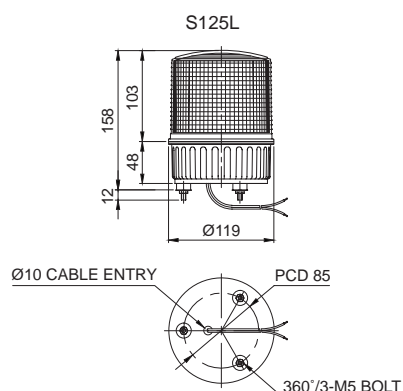
- Ø125mm LED steady/ flashing signal light
- Shock and vibration-resistant and easy maintenance with long-lasting LED light source
- Built-in switch for selection between steady and flashing mode
- Built-in buzzer type available (Volume : Max 90dB at 1m)
- Flashing rate : 60-80 flashes/min
- Material : Lens - AS, Housing - ABS, Reflector - Heat resistant ABS
- Ambient operating temperature : -30°C to +50°C
- Protection rating : IP44
- Certificates : KIMM, CE Compliant
- Compliant with RoHS directive

### Specifications

Model number	Voltage	Current	Certificates	Weight	Color
S125L	DC12V-24V	Max.0.300A		0.33kg	• R-Red
	AC110V	0.060A		0.51kg	• A-Amber
	AC220V	0.030A		0.51kg	• G-Green • B-Blue

### Technical Diagram

(Units : mm)



#### Feature of indirect light diffusing system

Qlight's Indirect light diffusing system emits an intense and constant level of signal light via a multi-tiered reflector throughout the lens.

### Wiring Instructions

- External power line standard : UL1015 AWG18(0.75sq)×2C 400mm
- Product can be wired regardless of polarity

### Customization

- 2 buzzer sound types : Both prolonged (beep, beep) and staccato (beep, beep, beep) buzzer output available
- Wall mount bracket options :  
Bracket structure allows for threading through the bracket hole or into the wall mount

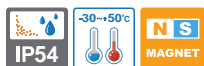


### Ordering Specification

S125L	-	BZ	-	220	-	R
[Model number]		[Buzzer option]		[Voltage]		[Color]
• S125L		• None • No buzzer • BZ • Built-in buzzer		• 12/24-DC12V-24V • 110-AC110V • 220-AC220V		• R-Red • A-Amber • G-Green • B-Blue

# S125 series

## Ø125mm Xenon Strobe Signal Lights



S125S



S125SM



Excellent visibility in fog and dust environments.

### Customization

- AC type(S125SM)
- Wall mount bracket options (S125S) : Bracket structure allows for threading through the bracket hole or into the wall mount



Wall Mount Bracket SWP125



Wall Mount Bracket SWM125

### Common Specifications(S125S/ S125SM)

- Ø125mm xenon strobe signal lights
- High efficiency strobe light that offers excellent outdoor visibility and long-distance signal light luminance close to natural light
- Lamp connector for convenient lamp replacement
- Flashing rate : 60-80 flashes/min
- Materials : Lens-AS, Housing-ABS
- Ambient operating temperature : -30°C to +50°C
- Protection rating : IP54

### S125S Xenon Strobe Signal Light

- Certificates : CE Compliant

Model number	Voltage	Current	Bulb			Certificates	Weight	Color
			Spec	Standard	Parts no			
S125S	DC12V -24V	Max. 1.000A	200V -550V	EUB0641 -1A(G) U type	48	CE DC only	0.37kg	• R-Red
	AC110V	0.135A						• A-Amber
	AC220V	0.105A						• G-Green

### Wiring Instructions

- External power line standard : UL1015 AWG18(0.75sq)×2C 400mm
- Product can be wired regardless of polarity

### S125SM Magnet Mount Xenon Strobe Signal Light

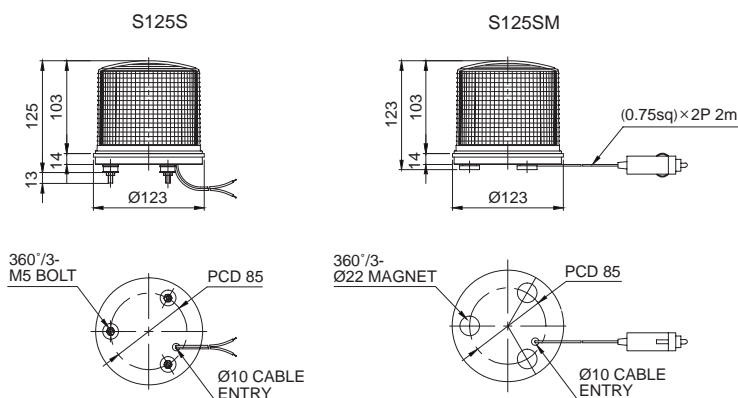
Model number	Voltage	Current	Bulb			Certificates	Weight	Color
			Spec	Standard	Parts no			
S125SM	DC12V -24V	Max. 1.000A	220V -350V	EUB0641 -1A(G) U type	48	CE DC24V only	0.40kg	• R-Red • A-Amber • G-Green • B-Blue

### Wiring Instructions

- Cigarette lighter plug, IEC42(0.75sq)×2P 2m

### Technical Diagram

(Units : mm)



### Ordering Specification

S125S	-	220	-	R
[Model number]		[Voltage]		[Color]
• S125S • S125SM		• 12/24-DC12V-24V • 110-AC110V • 220-AC220V		• R-Red • A-Amber • G-Green • B-Blue



# SK series

## Streamlined Bulb/ LED Revolving Warning Lights



SK/ SKH



SKM/ SKMH



A spare bulb inside the SK series allows for immediate bulb replacement when damaged.



### Ordering Specification

<b>SKMH</b>	-	<b>24</b>	-	<b>R</b>
[Model number]		[Voltage]		[Color]
• SK	• 12-DC12V	• R-Red		
• SKH	• 24-DC24V	• A-Amber		
• SKM		• G-Green		
• SKMH		• B-Blue		



### Common Specifications(SK/ SKM/ SKMP/ SKMPLR)

- Adopts a special power transmission system that reduces noise and wear
- Metal body structure inside the cover gives the product a stylish look
- Contains a spare bulb inside the product
- Materials : Lens-PC, Housing-PC, Reflector-PC/STS
- Revolving speed : 120-140RPM
- Ambient operating temperature : -20°C to +50°C
- Protection rating : IP54



### SK/ SKH Streamlined Bulb Revolving Warning Lights

- SKH : Features super-bright high intensity with 35W halogen bulb

Model number	Voltage	Current	Bulb			Certificates	Weight	Color
			Spec	Standard	Parts no			
SK	DC12V	1.544A	12V15W	G23 15S	17	-	0.54kg	• R-Red
	DC24V	0.766A	24V15W	G23 15S	18		0.54kg	• A-Amber
SKH	DC12V	3.077A	12V35W	15S halogen	39	-	0.54kg	• G-Green
	DC24V	1.544A	24V35W	15S halogen	40		0.54kg	• B-Blue



### Wiring Instructions

- External power line standard : UL1015 AWG18(0.75sq)×2C 400mm
- DC Type : Black output lines is negative(-)



### SKM/ SKMH Streamlined Bulb Revolving Warning Lights with Magnet

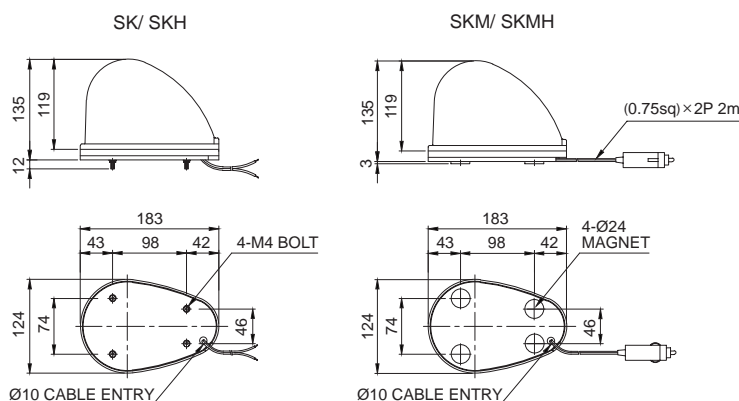
- Securely attached to the vehicle's surface by 4 strong magnets
- SKMH : Features a super-bright high intensity 35W halogen bulb

Model number	Voltage	Current	Bulb			Certificates	Weight	Color
			Spec	Standard	Parts no			
SKM	DC12V	1.544A	12V15W	G23 15S	17	-	0.58kg	• R-Red
	DC24V	0.766A	24V15W	G23 15S	18		0.58kg	• A-Amber
SKMH	DC12V	3.077A	12V35W	15S halogen	39	-	0.59kg	• G-Green
	DC24V	1.544A	24V35W	15S halogen	40		0.59kg	• B-Blue



### Technical Diagram

(Units : mm)

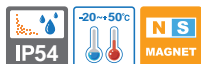


### Wiring Instructions

- Cigarette lighter plug, IEC42(0.75sq)×2P 2m

# SK series

## Streamlined Bulb/ LED Revolving Warning Lights



**Revolving warning lights with detachable rubber magnet for emergency response vehicles**



SKMP/ SKMPH



SKMPLR



**Special rubber magnet adheres securely to the vehicle's surface without damaging it!**

SKMP, SKMPH, SKMPLR has a large-sized rubber magnet to prevent potential damage on the vehicle's surface. The special rubber magnet adheres securely to the vehicle and it does not detached from sudden deceleration and road impacts.

### SKMP/ SKMPH Streamlined Bulb Revolving Warning Lights

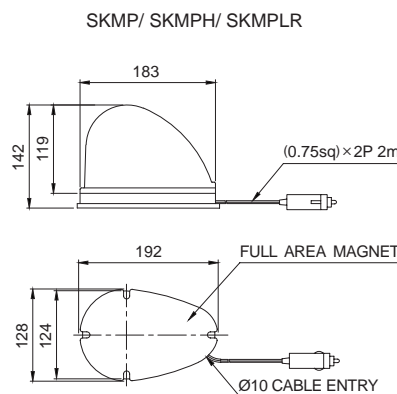
- Exceptional attachment to vehicles which operate in shock and vibration environments  
The rubber magnet securely attaches along the curved surfaces of the vehicle
- Detachable rubber magnet equipped to prevent potential scratches in vehicle's surface
- Contains a spare bulb inside the product
- Easy power connection with cigarette lighter plug equipped
- DC(12V, 24V) only

Model number	Voltage	Current	Bulb			Certificates	Weight	Color
			Spec	Standard	Parts no			
SKMP	DC12V	1.544A	12V15W	G23 15S	17		0.78kg	<ul style="list-style-type: none"> <li>● R-Red</li> <li>● A-Amber</li> <li>● G-Green</li> <li>● B-Blue</li> </ul>
	DC24V	0.766A	24V15W	G23 15S	18			
SKMPH	DC12V	3.077A	12V35W	15S halogen	39		0.78kg	
	DC24V	1.544A	24V35W	15S halogen	40			

### SKMPLR Streamlined LED Revolving Warning Light

Model number	Voltage	Current	Certificates	Weight	Color
SKMPLR	DC12V	0.422A		0.63kg	<ul style="list-style-type: none"> <li>● R-Red</li> <li>● A-Amber</li> <li>● G-Green</li> <li>● B-Blue</li> </ul>
	DC24V	0.266A		0.63kg	

### Technical Diagram (Units : mm)



### Wiring Instructions

- Cigarette lighter plug, IEC42(0.75sq)×2P 2m

### Customization

- Oval-shaped rubber magnet

Oval-shaped rubber magnet



### Ordering Specification

<b>SKMP</b>	-	<b>24</b>	-	<b>R</b>
[Model number]		[Voltage]		[Color]
<ul style="list-style-type: none"> <li>• SKMP</li> <li>• SKMPH</li> <li>• SKMPLR</li> </ul>		<ul style="list-style-type: none"> <li>• 12-DC12V</li> <li>• 24-DC24V</li> </ul>		<ul style="list-style-type: none"> <li>● R-Red</li> <li>● A-Amber</li> <li>● G-Green</li> <li>● B-Blue</li> </ul>

# SK series

## Streamlined LED Revolving Warning Lights



### Common Specifications(SKLR/ SKMLR)

- Excellent visibility with special multi-faced reflector structure
- Adopts a special power transmission system that reduces noise and wear
- Attractive appearance by installed structure cover inside products
- Materials : Lens-PC, Housing-PC, Reflector-Heat resistant ABS
- Revolving speed : 120-140RPM
- Ambient operating temperature : -20°C to +50°C
- Protection rating : IP54



### SKLR Streamlined LED Revolving Warning Light

- Has a 4 bolt structure to fix the product
- Compliant with RoHS directive

Model number	Voltage	Current	Certificates	Weight	Color
SKLR	DC12V	0.422A	-	0.38kg	<ul style="list-style-type: none"> <li>• R-Red</li> <li>• A-Amber</li> <li>• G-Green</li> <li>• B-Blue</li> </ul>
	DC24V	0.266A		0.38kg	



### Wiring Instructions

- External power line standard : UL1015 AWG18(0.75sq)×2C 400mm
- DC Type : Black output lines is negative(-)



### SKMLR Streamlined LED Revolving Warning Light

- 4 strong magnets enable secure attachment to the vehicle

Model number	Voltage	Current	Certificates	Weight	Color
SKMLR	DC12V	0.422A	-	0.46kg	<ul style="list-style-type: none"> <li>• R-Red</li> <li>• A-Amber</li> <li>• G-Green</li> <li>• B-Blue</li> </ul>
	DC24V	0.266A		0.46kg	



### Wiring Instructions

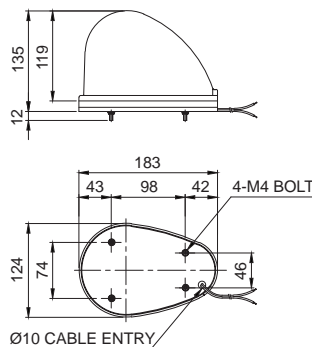
- Cigarette lighter plug, IEC42(0.75sq)×2P 2m



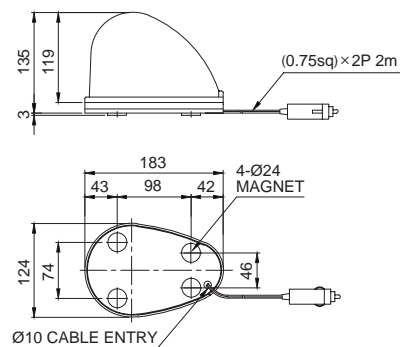
### Technical Diagram

(Units : mm)

SKLR



SKMLR



SKLR



SKMLR



SKMLR equipped on patrol vehicle.



### Ordering Specification

<b>SKLR</b>	-	<b>24</b>	-	<b>R</b>
[Model number]		[Voltage]		[Color]
<ul style="list-style-type: none"> <li>• SKLR</li> <li>• SKMLR</li> </ul>		<ul style="list-style-type: none"> <li>• 12-DC12V</li> <li>• 24-DC24V</li> </ul>		<ul style="list-style-type: none"> <li>• R-Red</li> <li>• A-Amber</li> <li>• G-Green</li> <li>• B-Blue</li> </ul>

# SKTL series

## Cubic LED Warning Lights for Vehicles



SKTL



SKTLB



### Common Specifications(SKTL/ SKTLB)

- High brightness LED with special light filter structure provides clear signal light transmission even in outdoor environments with intense sunlight
- Excellent vibration and impact resistance with use of polycarbonate lens
- Lens with special coating material maintains transparency even when exposed to harsh environments where scratches, dust and direct sunlight is possible
- Water resistant, dustproof, and weather resistant structure provides excellent durability under harsh environments such as rainstorms, frost, and intense heat
- Different lights from side to side improve efficiency of emergency signal transmission effect (SKTLM/ SKTLBM)
- 4 strong magnets enable secure attachment to the desired place(SKTLM/ SKTLBM)
- Convenient emergency signal sound control with built-in ON/OFF switch(SKTLBM)
- Materials : Lens, Housing-PC
- Ambient operating temperature : -30°C to +50°C
- Protection rating : IP66



### SKTL Cube-Shaped LED Warning Light, Direct Mount

- Flashing rate : 60-80 flashes/min

Model number	Voltage	Current	Certificates	Weight	Color
SKTL	DC12V	0.880A	CE DC24V only	0.35kg	<ul style="list-style-type: none"> <li>● R-Red</li> <li>● A-Amber</li> <li>● G-Green</li> <li>● B-Blue</li> <li>● W-White</li> </ul>
	DC24V	0.385A		0.35kg	



### SKTLB Cube-Shaped LED Warning Light with Built-in Siren Buzzer, Direct Mount

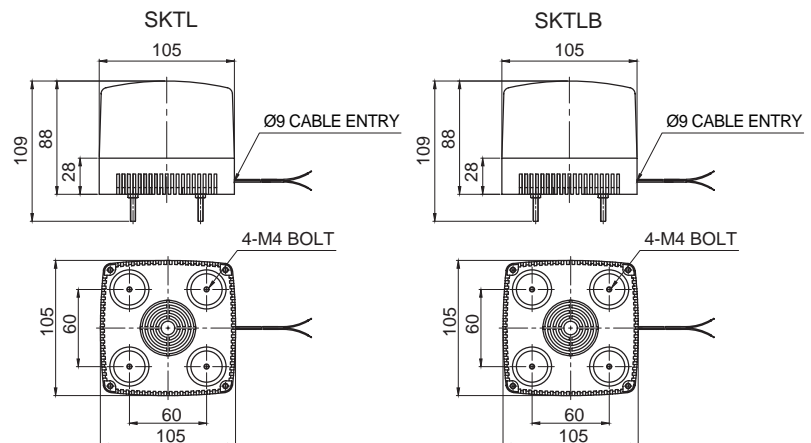
- Sound volume : Max 105dB at 1m

Model number	Voltage	Current	Certificates	Weight	Volume	Color
SKTLB	DC12V	1.125A	CE DC24V only	0.45kg	Max 105dB	<ul style="list-style-type: none"> <li>● R-Red</li> <li>● A-Amber</li> <li>● G-Green</li> <li>● B-Blue</li> <li>● W-White</li> </ul>
	DC24V	0.560A		0.45kg		



### Technical Diagram

(Units : mm)



### Wiring Instructions

- SKTL-External power line standard : UL1015 AWG18(0.75sq)×2C 400mm
- SKTLB-External power line standard : UL2464 AWG18(0.75sq)×2C 400mm
- DC Type : Black output lines is negative(-)



### Ordering Specification

SKTL	-	24	-	R/B
[Model number]		[Voltage]		[Color]
<ul style="list-style-type: none"> <li>• SKTL</li> <li>• SKTLB</li> </ul>		<ul style="list-style-type: none"> <li>• 12-DC12V</li> <li>• 24-DC24V</li> </ul>		<ul style="list-style-type: none"> <li>● R-Red</li> <li>● A-Amber</li> <li>● G-Green</li> <li>● B-Blue</li> <li>● W-White</li> </ul>



# SKTL series

## Cubic LED Warning Lights for Vehicles



**SKTLM**

Normal cigarette lighter plug



**SKTLBM**

Operation controlled by ON/OFF switch attached to the cigarette plug



The special rubber magnet adheres securely to the vehicle without damaging the surface of the vehicle!

### SKTLM Cube-Shaped LED Warning Light for Vehicles with Magnet

- Flashing rate : 60-80 flashes/min
- 4 strong magnets enable secure attachment to curved vehicle surfaces

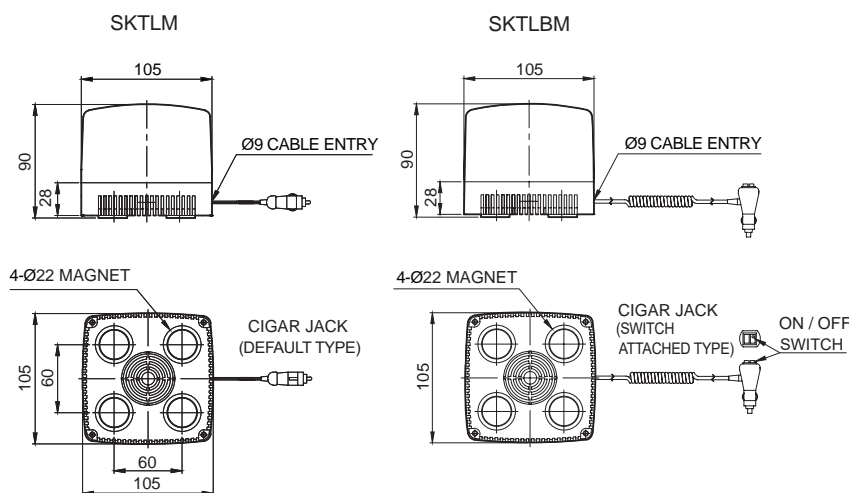
Model number	Voltage	Current	Certificates	Weight	Color
SKTLM	DC12V	0.235A	CE DC24V only	0.45kg	●R/B-Red/Blue
	DC24V	0.115A		0.45kg	

### SKTLBM Cube-Shaped LED Warning Light with Built-in Siren Buzzer with magnet, Direct Mount

- Sound volume : Max 105dB at 1m
- Easy control of warning sound with built-in ON/OFF switch

Model number	Voltage	Current	Certificates	Weight	Volume	Color
SKTLBM	DC12V	0.480A	CE DC24V only	0.55kg	Max 105dB	●R/B-Red/Blue
	DC24V	0.290A		0.55kg		

### Technical Diagram (Units : mm)



### Wiring Instructions

- Cigarette lighter plug, IEC42(0.75sq)×2P 2m

### Customization

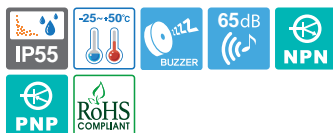
- Additional color combinations available upon customer's request

### Ordering Specification

SKTLM	-	24	-	R/B
[Model number]		[Voltage]		[Color]
• SKTLM • SKTLBM		• 12-DC12V • 24-DC24V		• R/B-Red/Blue

# QLTF

## LED flash indicator



### QLTF LED flash indicator

- Compact size with small LED steady/flash light
- Excellent visibility by adopting special diffused lens
- The smallest model suitable for OA equipment with narrow mounting space, small-sized machines, and simple automatic equipment produced in mass production
- Flashes rate: 50-70/min
- Volume: Max. 65dB at 1m
- Material: Lens-AS, Body-ABS
- Ambient temperature: -30°C - +50°C
- Protection class: IP55
- RoHS compliant



QLTF

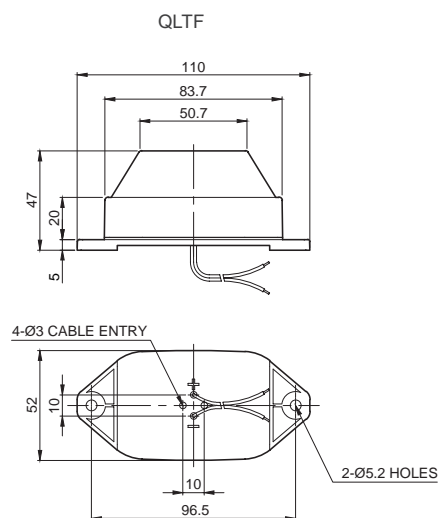


Model number	Voltage	Current	Certificates	Weight	Color
QLTF	DC24V	0.070A	CE	0.08kg	<ul style="list-style-type: none"> <li>• R-Red</li> <li>• A-Amber</li> <li>• G-Green</li> <li>• B-Blue</li> </ul>
	DC12V-24V	Max. 0.125A			



### Technical Diagram

(Units : mm)



### Wiring Instructions

- External power line standard - UL1015 AWG18(0.75sq)×2C 400mm
- Product can be wired regardless of polarity.



### Ordering Specification

<b>QLTF</b>	-	<b>12/24</b>	-	<b>A</b>
[Model number]		[Voltage]		[Color]
• QLTF		<ul style="list-style-type: none"> <li>• 24-DC24V</li> <li>• 12/24-DC12V-24V</li> </ul>		<ul style="list-style-type: none"> <li>• R-Red</li> <li>• A-Amber</li> <li>• G-Green</li> <li>• B-Blue</li> </ul>

# Q60L series

## Ø60mm LED Steady/ Flashing Signal Lights



**Q60L**



**Q60LW**

Wall mount type model allows for contained and tidy wiring with no exposed wires.

### Common Specifications(Q60L/ Q60LW/ Q60LP)

- Small-sized signal lights of 60mm diameter with attractive appearance
- Shock and vibration-resistant, maintenance reduced with long-lasting energy-efficient LED light bulbs
- Selectable mounts available depending on your application environment (direct mount, wall mount, pole mount)
- Materials : Lens-PC, Housing-ABS, Mounting bracket-PC
- Features high visibility with special diffusive lens and direct LED light distribution system
- Built-in buzzer available (Volume : Max 80dB at 1m)
- Built-in switch for selection between steady and flashing light mode
- Flashing rate : 60-80 flashes/min
- Ambient operating temperature : -30°C to +50°C
- Protection rating : IP65
- Certificates : CE Compliant, UL Listed
- Compliant with RoHS directive

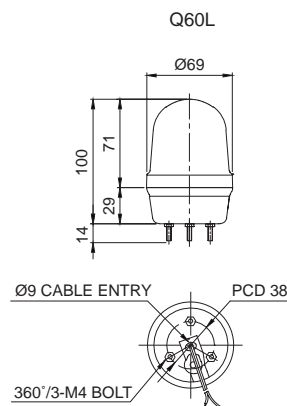
Model number	Voltage	Current	Certificates	Weight	Color
Q60L Q60LW Q60LP	DC12V-24V	Max 0.140A	 DC24V only	• Q60L-0.13kg • Q60LW-0.45kg • Q60LP-1.06kg (Weight Above Include QZ18)	• R-Red • A-Amber • G-Green • B-Blue
	AC110V-220V	Max 0.045A			

※ DC type model has a free-voltage range of 10V-30V.  
 ※ AC type model has a free-voltage range of 100V-240V.

### Q60L Direct Mount LED Steady/ Flashing Signal Light

- Direct mount type with the three bolts/screws located on the bottom of the product

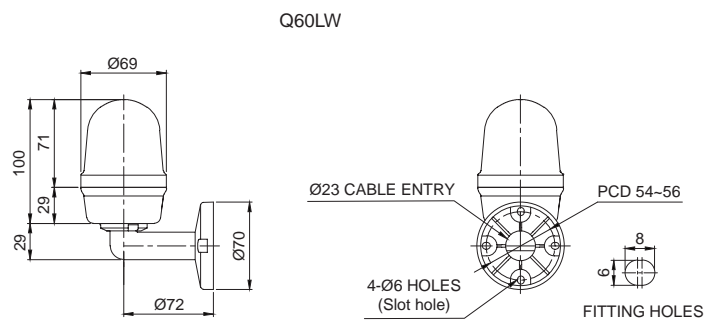
#### Technical Diagram (Units : mm)



### Q60LW Wall Mount LED Steady/ Flashing Signal Light

- Wall mount type with the bracket equipped

#### Technical Diagram (Units : mm)



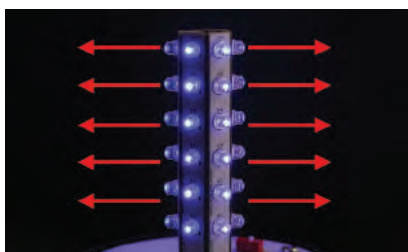
# Q60L series

## Ø60mm LED Steady/ Flashing Signal Lights



**Q60LP**

The picture for QZ18 equipped



### Direct Light Distribution LED Type (Q60L)

High brightness LED with a direct light distribution system makes the signal bright and clear; visible even from long distances.

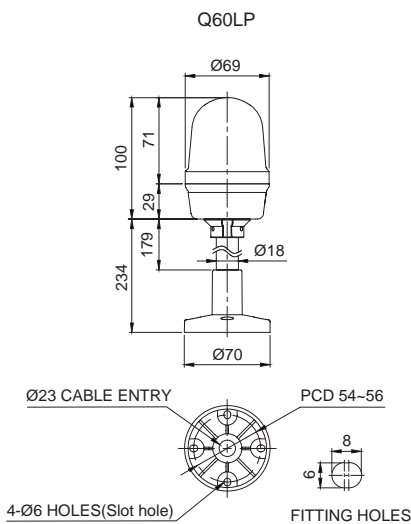
### Q60LP Pole Mount LED Steady/ Flashing Signal Light

- Pole mount type
- Various mounting options are available



#### Technical Diagram

(Units : mm)



#### Wiring Instructions

- External power line standard : UL1015 AWG18(0.75sq)×2C 400mm
- Product can be wired regardless of polarity



#### Mounting Bracket

Standard	QZ18	SZ18	SL18	QLA18
Steel	PC	Al	Al	PC



\* Please refer to page152-155 for detailed dimension of mount bracket.



#### Customization

- Customized pole length available



#### Ordering Specification

<b>Q60LP</b>	-	<b>BZ</b>	-	<b>12/24</b>	-	<b>R</b>	-	<b>QZ18</b>
[Model number]		[Buzzer option]		[Voltage]		[Color]		[mount bracket]
<ul style="list-style-type: none"> <li>• Q60L</li> <li>• Q60LW</li> <li>• Q60LP</li> </ul>		<ul style="list-style-type: none"> <li>• None</li> <li>- No buzzer</li> <li>• BZ</li> <li>- Built-in buzzer</li> </ul>		<ul style="list-style-type: none"> <li>• 12/24</li> <li>-DC12V-24V</li> <li>• 110/220</li> <li>-AC110V-220V</li> </ul>		<ul style="list-style-type: none"> <li>• R-Red</li> <li>• A-Amber</li> <li>• G-Green</li> <li>• B-Blue</li> </ul>		<ul style="list-style-type: none"> <li>• None</li> <li>- Standard</li> <li>• Bracket</li> <li>- QZ18</li> <li>- SZ18</li> <li>- SL18</li> <li>- QLA18</li> </ul>



# Q80L series

## Ø80mm LED Steady/ Flashing Signal Lights



**Q80L**



**Q80LW**

Wall mount type models allow for contained and tidy wiring with no exposed wires.



### Common Specifications(Q80L/ Q80LW/ Q80LP)

- Small-sized signal light of 80mm with attractive appearance
- Shock and vibration-resistant, maintenance reduced with long-lasting energy-efficient LED light bulb
- Selectable mounts available depending on your application environment (direct mount, wall mount, pole mount)
- Materials : Lens-PC, housing-ABS, mounting bracket-PC
- Features high visibility with special diffusive lens and direct LED light distribution system
- Built-in buzzer available (Volume : Max 80dB at 1m)
- Built-in switches for steady and flashing light function mode
- Flashing rate : 60-80 flashes/min
- Ambient operating temperature : -30°C to +50°C
- Protection rating : IP65
- Certificates : CE Compliant, UL Listed
- Compliant with RoHS directive

Model number	Voltage	Current	Certificates	Weight	Color
Q80L Q80LW Q80LP	DC12V-24V	Max 0.190A	 DC24V only	• Q80L-0.15kg • Q80LW-0.57kg • Q80LP-1.09kg (Weight Above Include QZ24)	• R-Red • A-Amber • G-Green • B-Blue
	AC110V-220V	Max 0.052A			

※ DC type model has a free-voltage range of 10V-30V.  
 ※ AC type model has a free-voltage range of 100V-240V.



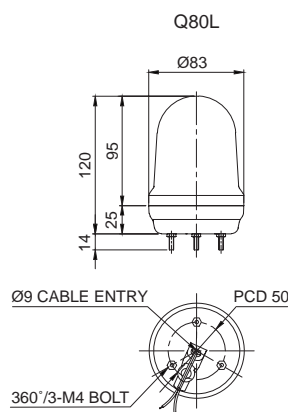
### Q80L Direct Mount LED Steady/ Flashing Signal Light

- Direct mount type with the three bolts/screws located on the bottom of the product



#### Technical Diagram

(Units : mm)



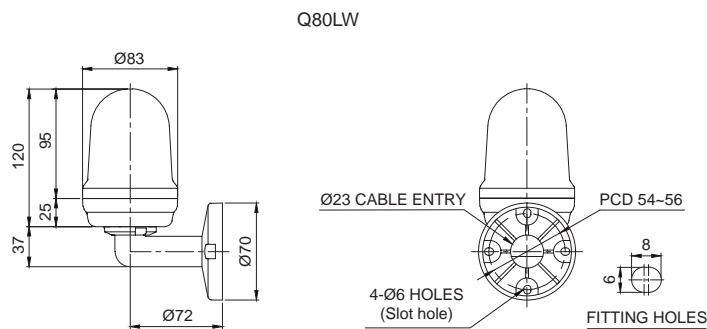
### Q80LW Wall Mount LED Steady/ Flashing Signal Light

- Wall mount type with the bracket equipped



#### Technical Diagram

(Units : mm)



# Q80L series

## Ø80mm LED Steady/ Flashing Signal Lights



**Q80LP**

The picture for QZ24 equipped

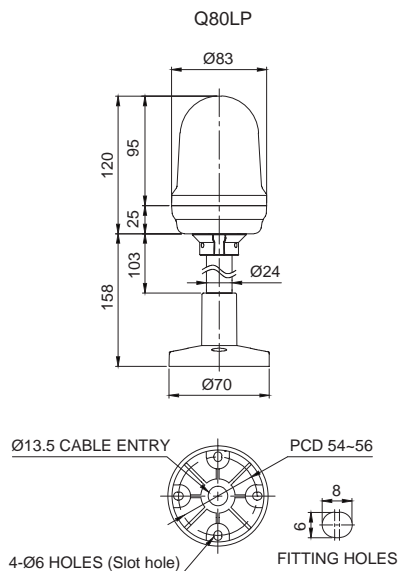
### Q80LP Pole Mount LED Steady/ Flashing Signal Light

- Pole mount type
- Various mounting options are available



#### Technical Diagram

(Units : mm)



#### Wiring Instructions

- External power line standard : UL1015 AWG18(0.75sq)×2C 400mm
- Product can be wired regardless of polarity



#### Mounting Bracket

Standard	QZ24	SZ24	SL24	QLA24
Steel	PC	Al	Al	PC



※ Please refer to page152-155 for detailed dimension of mount bracket.



#### Customization

- Customized pole length available



#### Ordering Specification

Q80LP	-	BZ	-	12/24	-	R	-	QZ24
[Model number]		[Buzzer option]		[Voltage]		[Color]		[mount bracket]
<ul style="list-style-type: none"> <li>• Q80L</li> <li>• Q80LW</li> <li>• Q80LP</li> </ul>		<ul style="list-style-type: none"> <li>• None</li> <li>- No buzzer</li> <li>• BZ</li> <li>- Built-in buzzer</li> </ul>		<ul style="list-style-type: none"> <li>• 12/24</li> <li>-DC12V-24V</li> <li>• 110/220</li> <li>-AC110V-220V</li> </ul>		<ul style="list-style-type: none"> <li>• R-Red</li> <li>• A-Amber</li> <li>• G-Green</li> <li>• B-Blue</li> </ul>		<ul style="list-style-type: none"> <li>• None</li> <li>- Standard</li> <li>• Bracket</li> <li>- QZ24</li> <li>- SZ24</li> <li>- SL24</li> <li>- QLA24</li> </ul>



#### LED Light diffusion shape of direct light distribution

High visibility with special diffusive lens and direct high brightness LED light distribution system.

# Q100L series

## Ø100mm LED Steady/ Flashing Signal Lights



**Q100L**



**Q100LW**

Wall mount type models allow for contained and tidy wiring with no exposed wires.



### Common Specifications(Q100L/ Q100LW/ Q100LP)

- Standard-sized signal lights of Ø100mm with attractive appearance
- Shock and vibration-resistant, maintenance reduced with long-lasting energy-efficient LED light source
- Selectable mounts available depending on your application environment (direct mount, wall mount, pole mount)
- Features high visibility with special diffusive lens and direct LED light distribution system
- Built-in buzzer available (Volume : Max 80dB at 1m)
- Built-in switches for steady and flashing light function mode
- Flashing rate : 60-80 flashes/min
- Materials : Lens-PC, Housing-ABS, Bracket-PC
- Ambient operating temperature : -30°C to +50°C
- Protection rating : IP65
- Certificates : CE Compliant, UL Listed
- Compliant with RoHS directive

Model number	Voltage	Current	Certificates	Weight	Color
Q100L Q100LW Q100LP	DC12V-24V	Max 0.255A	 DC24V only	• Q100L-0.28kg • Q100LW-0.70kg • Q100LP-1.22kg (Weight Above Include QZ24)	• R-Red • A-Amber • G-Green • B-Blue
	AC110V-220V	Max 0.067A			

※ DC type model has a free-voltage range of 10V-30V.  
 ※ AC type model has a free-voltage range of 100V-240V.



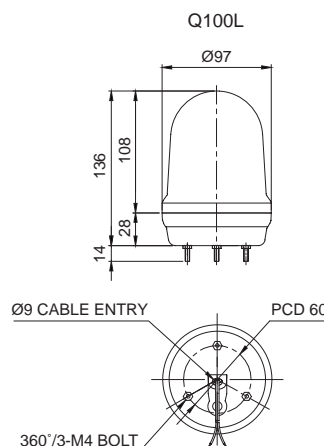
### Q100L Direct Mount LED Steady/ Flashing Signal Light

- Direct mount type with the three bolts/screws located on the bottom of the product



#### Technical Diagram

(Units : mm)



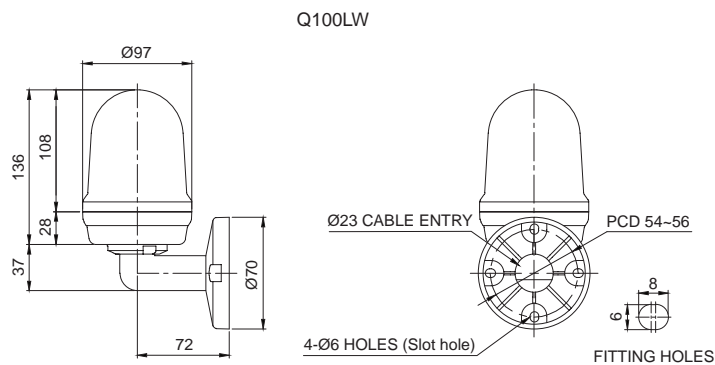
### Q100LW Wall Mount LED Steady/ Flashing Signal Light

- Wall mount type with the bracket equipped



#### Technical Diagram

(Units : mm)



# Q100L series

## Ø100mm LED Steady/ Flashing Signal Lights



**Q100LP**

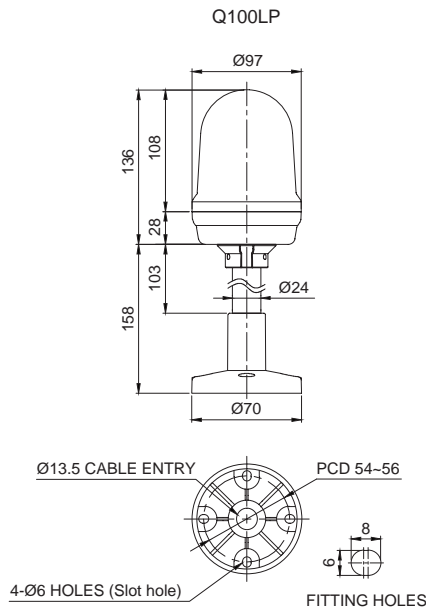
The picture for QZ24 equipped



### Q100LP Pole Mount LED Steady/ Flashing Signal Light

- Pole mount type
- Selectable mounting bracket available depending on the installation requirements

#### Technical Diagram (Units : mm)



#### Wiring Instructions

- External power line standard : UL1015 AWG18(0.75sq)×2C 400mm
- Product can be wired regardless of polarity

#### Mounting Bracket

Standard	QZ24	SZ24	SL24	QLA24
Steel	PC	Al	Al	PC



\* Please refer to page152-155 for detailed dimension of mount bracket.

#### Customization

- Customized pole length available

#### Ordering Specification

<b>Q100LP</b>	-	<b>BZ</b>	-	<b>12/24</b>	-	<b>R</b>	-	<b>SZ24</b>
[Model number]		[Buzzer option]		[Voltage]		[Color]		[mount bracket]
<ul style="list-style-type: none"> <li>• Q100L</li> <li>• Q100LW</li> <li>• Q100LP</li> </ul>		<ul style="list-style-type: none"> <li>• None</li> <li>- No buzzer</li> <li>• BZ</li> <li>- Built-in buzzer</li> </ul>		<ul style="list-style-type: none"> <li>• 12/24</li> <li>-DC12V-24V</li> <li>• 110/220</li> <li>-AC110V-220V</li> </ul>		<ul style="list-style-type: none"> <li>• R-Red</li> <li>• A-Amber</li> <li>• G-Green</li> <li>• B-Blue</li> </ul>		<ul style="list-style-type: none"> <li>• None</li> <li>- Standard</li> <li>• Bracket</li> <li>- QZ24</li> <li>- SZ24</li> <li>- SL24</li> <li>- QLA24</li> </ul>



# Q125L series

## Ø125mm LED Steady/ Flashing Signal Lights



Q125L



Q125LW

Wall mount type models allow for contained and tidy wiring with no exposed wires.



### Common Specifications(Q125L/ Q125LW/ Q125LP)

- Standard-sized signal lights of Ø125mm with attractive appearance
- Shock and vibration-resistant, maintenance reduced with long-lasting energy-efficient LED light bulbs
- Selectable mounts available depending on your application environment (direct mount, wall mount, pole mount)
- Materials : Lens-PC, Housing-ABS, Wall mount bracket-PC
- Features high visibility by applying a special diffusive lens and direct LED light distribution system
- Built-in buzzer available (Volume : Max 80dB at 1m)
- Built-in switches for steady and flashing light function mode
- Flashing rate : 60-80 flashes/min
- Ambient operating temperature : -30°C to +50°C
- Protection rating : IP65
- Certificates : CE Compliant, UL Listed
- Compliant with RoHS directive

Model number	Voltage	Current	Certificates	Weight	Color
Q125L Q125LW Q125LP	DC12V-24V	Max 0.255A	 DC24V only	• Q125L-0.34kg • Q125LW-0.76kg • Q125LP-1.28kg (Weight above include QZ24)	• R-Red • A-Amber • G-Green • B-Blue
	AC110V-220V	Max 0.067A			

※ DC type model has a free-voltage range of 10V-30V.  
 ※ AC type model has a free-voltage range of 100V-240V.



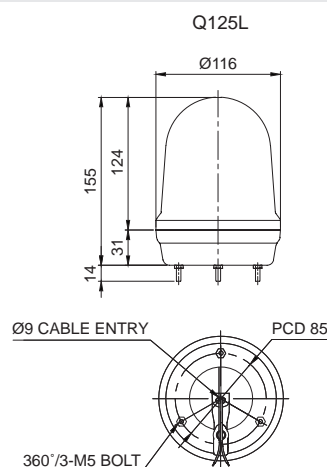
### Q125L Direct Mount LED Steady/ Flashing Signal Light

- Direct mount type with the three bolts located on the bottom of the product



#### Technical Diagram

(Units : mm)



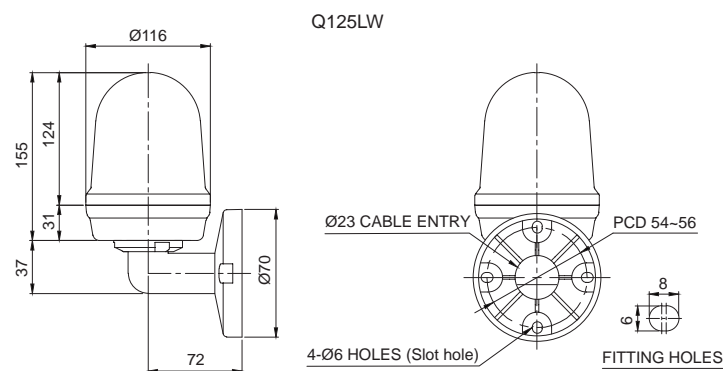
### Q125LW Wall Mount LED Steady/ Flashing Signal Light

- Wall mount type with the bracket equipped



#### Technical Diagram

(Units : mm)



# Q125L series

## Ø125mm LED Steady/ Flashing Signal Lights



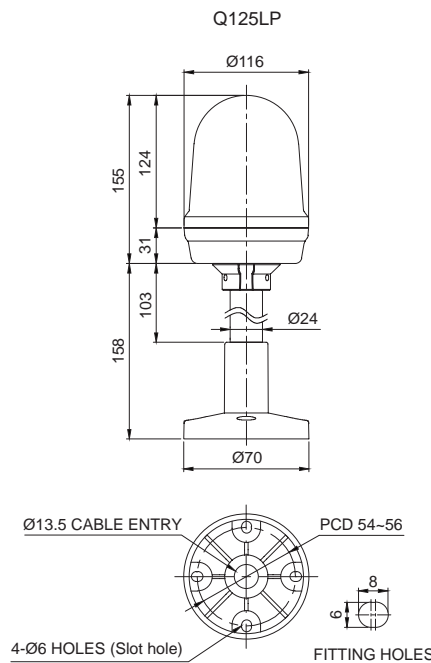
**Q125LP**

The picture for QZ24 equipped

### Q125LP Pole Mount LED Steady/ Flashing Signal Light

- Pole mount type
- Selectable mounting bracket available depending on the installation requirements

#### Technical Diagram (Units : mm)



#### Wiring Instructions

- External power line standard : UL1015 AWG18(0.75sq)×2C 400mm
- Product can be wired regardless of polarity

#### Mounting Bracket

Standard	QZ24	SZ24	SL24	QLA24
Steel	PC	Al	Al	PC



\* Please refer to page152-155 for detailed dimension of mount bracket.

#### Customization

- Customized pole length available

#### Ordering Specification

Q125LP	BZ	12/24	R	QLA24
[Model number]	[Buzzer option]	[Voltage]	[Color]	[mount bracket]
<ul style="list-style-type: none"> <li>• Q125L</li> <li>• Q125LW</li> <li>• Q125LP</li> </ul>	<ul style="list-style-type: none"> <li>• None</li> <li>- No buzzer</li> <li>• BZ</li> <li>- Built-in buzzer</li> </ul>	<ul style="list-style-type: none"> <li>• 12/24</li> <li>-DC12V-24V</li> <li>• 110/220</li> <li>-AC110V-220V</li> </ul>	<ul style="list-style-type: none"> <li>• R-Red</li> <li>• A-Amber</li> <li>• G-Green</li> <li>• B-Blue</li> </ul>	<ul style="list-style-type: none"> <li>• None</li> <li>- Standard</li> <li>• Bracket</li> <li>- QZ24</li> <li>- SZ24</li> <li>- SL24</li> <li>- QLA24</li> </ul>



QLA24 bracket allows for angle adjustment of 0, 45, 90 degrees by using of angle adjustment button without additional tools.

# S150 series

## Ø150mm Large Sized Warning Lights



S150U



S150U-FT



S150ULR



S150ULR-FT



### Common Specifications(S150U/ S150ULR)

- Special power transmission system which allows low noise and less wear
- Mounting bracket allows convenient installation in case of XXX-FT type
- Built-in buzzer available (Volume : Max 90dB at 1m)
- Revolving speed : 120-140RPM
- Materials : Lens - PC, Housing - ABS, Reflector - PC/Heat resistant ABS, Mounting bracket - STS
- Ambient operating temperature : -20°C to +50°C
- Protection rating : IP44



### S150U/ S150U-FT Bulb Revolving Warning Lights

- Suitable for Long distance signal transmission by adopting high capacity bulb and large sized reflector

Model number	Voltage	Current	Bulb			Certificates	Weight	Color
			Spec	Standard	Parts no			
S150U	DC12V	1.545A	12V15W	G23 15S	17	CE DC only	0.65kg	● R-Red ● A-Amber
	DC24V	0.766A	24V15W	G23 15S	18		0.65kg	
S150U-FT	AC110V	0.204A	12V15W	G23 15S	17		1.04kg	● G-Green ● B-Blue
	AC220V	0.102A	12V15W	G23 15S	17		1.04kg	



### S150ULR/ S150ULR-FT LED Revolving Warning Lights

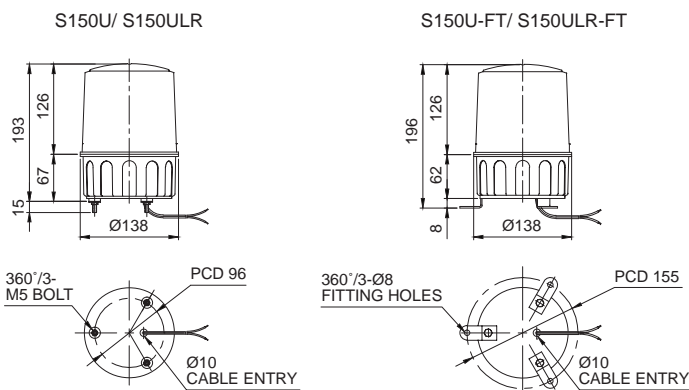
- Excellent omni-directional visibility with LED light collecting system and special multifaceted reflector

Model number	Voltage	Current	Certificates	Weight	Color
S150ULR	DC12V	0.422A	-	0.66kg	● R-Red ● A-Amber
	DC24V	0.266A		0.66kg	
S150ULR-FT	AC110V	0.082A		0.85kg	● G-Green ● B-Blue
	AC220V	0.041A		0.85kg	



### Technical Diagram

(Units : mm)



### Wiring Instructions

- External power line standard : UL1015 AWG18(0.75sq)×2C 400mm
- DC Type : Black output line is negative(-)



### Customization

- 2 buzzer sound types : Both prolonged(beep, beep) and staccato(beep, beep, beep) buzzer output available



### Ordering Specification

S150U	-	BZ	-	220	-	R
[Model number]		[Buzzer option]		[Voltage]		[Color]
• S150U • S150U-FT • S150ULR • S150ULR-FT		• None • No buzzer • BZ • Built-in buzzer		• 12-DC12V • 24-DC24V • 110-AC110V • 220-AC220V		• R-Red • A-Amber • G-Green • B-Blue

# S150 series

## Ø150mm Large Sized Warning Lights



**S150R**



**S150R-FT**



**S150RLR**



**S150RLR-FT**



### Common Specifications(S150R/ S150RLR)

- Features highly durable housing made of corrosion-proof stainless steel (STS)
- Revolving speed : 120-140RPM
- Materials : Lens-PC, Housing-STS, Reflector-PC/ Heat resistant ABS, Mount Bracket-STS
- Ambient operating temperature : -20°C to +50°C
- Protection rating : IP44



### S150R/ S150R-FT Bulb Revolving Warning Lights

- High power light bulb and large rotating reflector enables superior visibility from a distance
- Certificates : CE Compliant

Model number	Voltage	Current	Bulb			Certificates	Weight	Color
			Spec	Standard	Parts no			
S150R S150R-FT	DC12V	1.545A	12V15W	G23 15S	17	CE DC only	0.85kg	<ul style="list-style-type: none"> <li>• R-Red</li> <li>• A-Amber</li> <li>• G-Green</li> <li>• B-Blue</li> </ul>
	DC24V	0.766A	24V15W	G23 15S	18		0.85kg	
	AC110V	0.204A	12V15W	G23 15S	17		1.24kg	
	AC220V	0.102A	12V15W	G23 15S	17		1.24kg	



### S150RLR/ S150RLR-FT LED Revolving Warning Lights

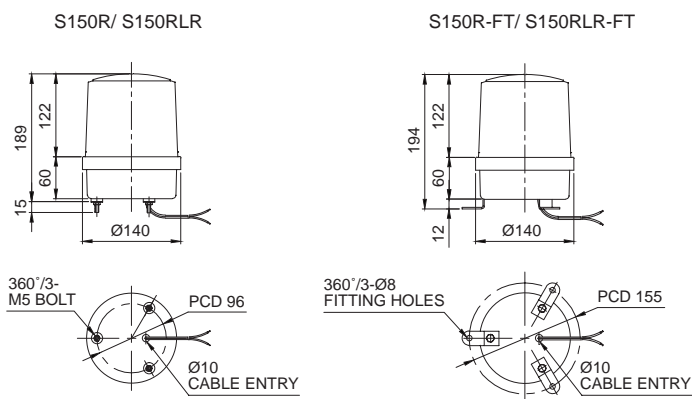
- Excellent omni-directional visibility with LED light collecting system and special multifaceted reflector

Model number	Voltage	Current	Certificates	Weight	Color
S150RLR S150RLR-FT	DC12V	0.422A	-	0.77kg	<ul style="list-style-type: none"> <li>• R-Red</li> <li>• A-Amber</li> <li>• G-Green</li> <li>• B-Blue</li> </ul>
	DC24V	0.266A		0.77kg	
	AC110V	0.082A		1.16kg	
	AC220V	0.041A		1.16kg	



### Technical Diagram

(Units : mm)



### Wiring Instructions

- External power line standard : UL1015 AWG18(0.75sq)×2C 400mm
- DC Type : Black output line is negative(-)



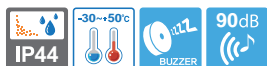
### Ordering Specification

S150R	-	220	-	R
[Model number]		[Voltage]		[Color]
<ul style="list-style-type: none"> <li>• S150R</li> <li>• S150R-FT</li> <li>• S150RLR</li> <li>• S150RLR-FT</li> </ul>		<ul style="list-style-type: none"> <li>• 12-DC12V</li> <li>• 24-DC24V</li> <li>• 110-AC110V</li> <li>• 220-AC220V</li> </ul>		<ul style="list-style-type: none"> <li>• R-Red</li> <li>• A-Amber</li> <li>• G-Green</li> <li>• B-Blue</li> </ul>



# S150 series

## Ø150mm Large Sized Warning Lights



**S150UL/ S150US**



**S150UL-FT/ S150US-FT**



### Hyper illuminance xenon lamp

- S150US/S150US-FT can be optionally equipped with a hyper illuminance xenon lamp bulb BH0647(G) upon the customers request.  
(model number : S150UHS/S150UHS-FT)
- Dimension, mounting hole and other functions are identical with normal type.



### Common Specifications(S150UL/ S150US)

- Mounting bracket allows convenient installation in case of XXX-FT type
- Built-in buzzer available (Volume : Max 90dB at 1m)
- Flashing rate : 60-80 flashes/min
- Materials : Lens - PC, Housing - ABS, Reflector - Heat resistant ABS, Mounting bracket - STS
- Ambient operating temperature : -30°C to +50°C
- Protection rating : IP44



### S150UL/ S150UL-FT LED Steady/ Flashing Signal Lights

- Built-in switch for selection between steady and flashing mode

Model number	Voltage	Current	Certificates	Weight	Color
S150UL S150UL-FT	DC12V-24V	Max.0.300A	-	0.52kg	● R-Red
	AC110V	0.060A		0.92kg	● A-Amber
	AC220V	0.030A		0.92kg	● G-Green ● B-Blue



### S150US/ S150US-FT Xenon Lamp Strobe Signal Lights

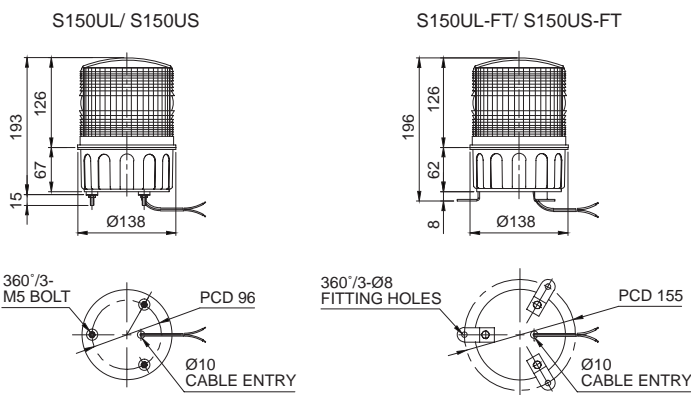
- Connector type lamp socket allows convenient lamp replacement

Model number	Voltage	Current	Bulb			Certificates	Weight	Color
			Spec	Standard	Parts no			
S150US	DC12V -24V	Max. 1.000A	200V -550V	EUB0641 -1A(G)	48	-	0.56kg	● R-Red
S150US-FT	AC110V	0.135A		U Type			0.54kg	● A-Amber
	AC220V	0.105A					0.54kg	● G-Green ● B-Blue



### Technical Diagram

(Units : mm)



### Wiring Instructions

- External power line standard : UL1015 AWG18(0.75sq)×2C 400mm
- Product can be wired regardless of polarity



### Customization

- 2 buzzer sound types : Both prolonged(beep, beep) and staccato(beep, beep, beep) buzzer output available
- Hyper illuminance xenon lamp type(model number : S150UHS/S150UHS-FT)



### Ordering Specification

S150UL	-	BZ	-	220	-	R
[Model number]		[Buzzer option]		[Voltage]		[Color]
• S150UL • S150UL-FT • S150US • S150US-FT		• None • No buzzer • BZ • Built-in buzzer		• 12/24-DC12V-24V • 110-AC110V • 220-AC220V		• R-Red • A-Amber • G-Green • B-Blue

# S150 series

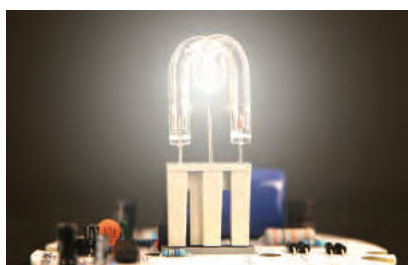
## Ø150mm Large Sized Warning Lights



S150RL/ S150RS



S150RL-FT/ S150RS-FT



### Hyper illuminance xenon lamp

- S150RS/S150RS-FT can be optionally equipped with a hyper illuminance xenon lamp bulb BH0647(G) upon the customers request.  
(model number : S150RHS/S150RHS-FT)
- Dimension, mounting hole and other functions are identical with normal type.



### Common Specifications(S150RL/ S150RS)

- Stainless Steel(STS) housing allows excellent anti-corrosiveness and durability
- Mounting bracket allows convenient installation in case of XXX-FT type
- Flashing rate : 60-80 flashes/min
- Materials : Lens - AS, Housing - STS, Reflector - Heat resistant ABS, Mounting bracket - STS
- Ambient operating temperature : -30°C to +50°C
- Protection rating : IP44



### S150RL/ S150RL-FT LED Steady/ Flashing Signal Lights

- Built-in switch for selection between steady and flashing mode

Model number	Voltage	Current	Certificates	Weight	Color
S150RL S150RL-FT	DC12V-24V	Max.0.300A	-	0.64kg	● R-Red
	AC110V	0.060A		0.92kg	● A-Amber
	AC220V	0.030A		0.92kg	● G-Green ● B-Blue



### S150RS/ S150RS-FT Xenon Lamp Strobe Signal Lights

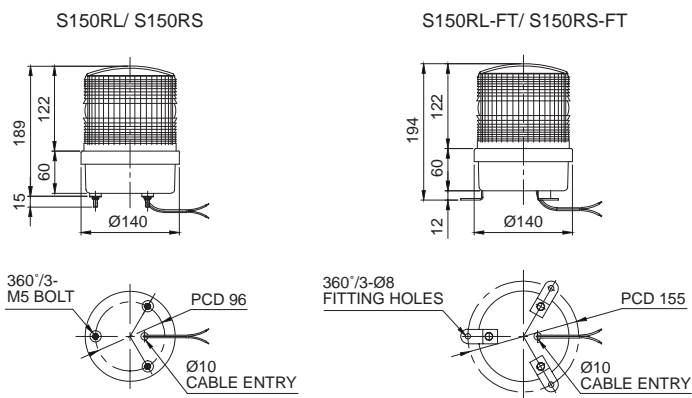
- Connector type lamp socket allows convenient lamp replacement

Model number	Voltage	Current	Bulb			Certificates	Weight	Color
			Spec	Standard	Parts no			
S150RS S150RS-FT	DC12V -24V	Max. 1.000A	200V -550V	EUB0641 -1A(G)	48	-	0.68kg	● R-Red
	AC110V	0.135A		U Type			0.66kg	● A-Amber
	AC220V	0.105A					0.66kg	● G-Green ● B-Blue



### Technical Diagram

(Units : mm)



### Wiring Instructions

- External power line standard : UL1015 AWG18(0.75sq)×2C 400mm
- Product can be wired regardless of polarity



### Customization

- Hyper illuminance xenon lamp type(model number : S150RHS/S150RHS-FT)



### Ordering Specification

<b>S150RS</b>	-	<b>220</b>	-	<b>R</b>
[Model number]		[Voltage]		[Color]
<ul style="list-style-type: none"> <li>• S150RL</li> <li>• S150RL-FT</li> <li>• S150RS</li> <li>• S150RS-FT</li> </ul>		<ul style="list-style-type: none"> <li>• 12/24-DC12V-24V</li> <li>• 110-AC110V</li> <li>• 220-AC220V</li> </ul>		<ul style="list-style-type: none"> <li>● R-Red</li> <li>● A-Amber</li> <li>● G-Green</li> <li>● B-Blue</li> </ul>

# S180 series

## Ø180mm Bulb Revolving Warning Lights



**S180R**



**S180R-FT**



S180 type has strong flashing light characteristics with dual reflector.

### S180R/ S180R-FT Bulb Revolving Warning Lights

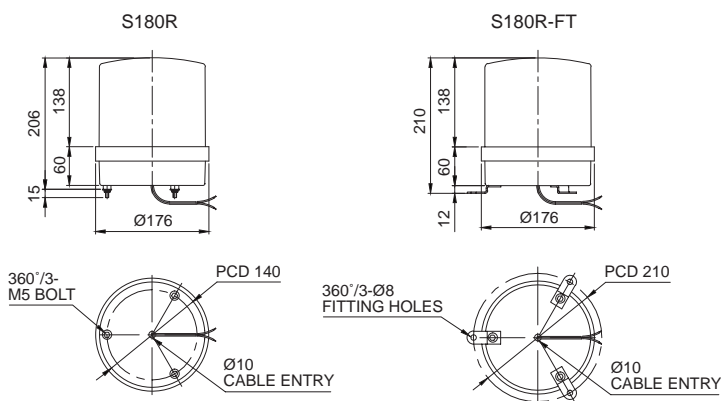
- Features high durability with housing made of corrosion-proof stainless steel
- Excellent long distance signal transmission effect with 35W capacity bulb and dual reflectors
- FT Models : Easy installation with flange brackets
- Materials : Lens-AS, Housing-STSS, Reflector-PC
- Ambient operating temperature : -20°C to +50°C
- Protection rating : IP44

#### Specifications

Model number	Voltage	Current	Bulb			Certificates	Weight	Color
			Spec	Standard	Parts no			
S180R	DC12V	3.077A	12V35W	RP35 15S	29	-	1.22kg	<ul style="list-style-type: none"> <li>● R-Red</li> <li>● A-Amber</li> <li>● G-Green</li> <li>● B-Blue</li> </ul>
	DC24V	1.544A	24V35W	RP35 15S	30		1.22kg	
S180R-FT	AC110V	0.388A	12V35W	RP35 15S	29		1.99kg	
	AC220V	0.194A	12V35W	RP35 15S	29		1.99kg	

#### Technical Diagram

(Units : mm)



#### Wiring Instructions

- External power line standard : UL1015 AWG18(0.75sq)×2C 400mm
- DC type : Black output line is negative(-)

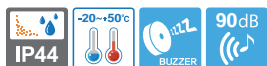
#### Ordering Specification

S180R-FT	-	24	-	R
[Model number]		[Voltage]		[Color]
<ul style="list-style-type: none"> <li>• S180R</li> <li>• S180R-FT</li> </ul>		<ul style="list-style-type: none"> <li>• 12-DC12V</li> <li>• 24-DC24V</li> <li>• 110-AC110V</li> <li>• 220-AC220V</li> </ul>		<ul style="list-style-type: none"> <li>● R-Red</li> <li>● A-Amber</li> <li>● G-Green</li> <li>● B-Blue</li> </ul>



# S180 series

## Ø180mm Bulb Revolving Warning Lights



**S180U**



S180U has a spare bulb inside the product for easy replacement if required.



S180 type has strong flashing light characteristics with dual reflector.

### S180U Bulb Revolving Warning Light

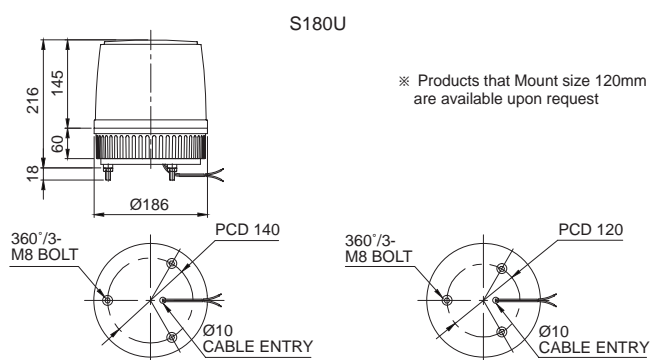
- Excellent long distance signal transmission effect with 35W capacity bulb and dual reflectors
- A spare bulb is provided inside the product for quick replacement if provided
- Built-in buzzer available (Volume : Max 90dB at 1m)
- Materials : Lens-AS, Housing-ABS, Reflector-PC
- Ambient operating temperature : -20°C to +50°C
- Protection rating : IP44

#### Specifications

Model number	Voltage	Current	Bulb			Certificates	Weight	Color
			Spec	Standard	Parts no			
S180U	DC12V	3.077A	12V35W	RP35 15S	29	-	0.89kg	<ul style="list-style-type: none"> <li><span style="color: red;">●</span> R-Red</li> <li><span style="color: orange;">●</span> A-Amber</li> <li><span style="color: green;">●</span> G-Green</li> <li><span style="color: blue;">●</span> B-Blue</li> </ul>
	DC24V	1.544A	24V35W	RP35 15S	30		0.89kg	
	AC110V	0.388A	12V35W	RP35 15S	29		1.65kg	
	AC220V	0.194A	12V35W	RP35 15S	29		1.65kg	

#### Technical Diagram

(Units : mm)



#### Wiring Instructions

- External power line standard : UL1015 AWG18(0.75sq)×2C 400mm
- DC type : Black output line is negative(-)

#### Customization

- 2 buzzer sound types : Both prolonged(beep, beep) and staccato(beep, beep, beep) buzzer output available
- The product mount hole size 120mm(PCD 120mm)

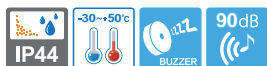
#### Ordering Specification

S180U	BZ	220	R
[Model number]	[Buzzer option]	[Voltage]	[Color]
• S180U	<ul style="list-style-type: none"> <li>• None</li> <li>- No buzzer</li> <li>• BZ</li> <li>- Built-in buzzer</li> </ul>	<ul style="list-style-type: none"> <li>• 12-DC12V</li> <li>• 24-DC24V</li> <li>• 110-AC110V</li> <li>• 220-AC220V</li> </ul>	<ul style="list-style-type: none"> <li><span style="color: red;">●</span> R-Red</li> <li><span style="color: orange;">●</span> A-Amber</li> <li><span style="color: green;">●</span> G-Green</li> <li><span style="color: blue;">●</span> B-Blue</li> </ul>



# S180 series

## Ø180mm Xenon Lamp Strobe Signal Lights



**S180US/ S180UHS**



S180UHS is equipped with the hyper brightness xenon lamp, and emits a strong flashing light.

**S180UHS ultra high intensity strobe light has 3 built-in high intensity xenon lamps!**

Maintains excellent visibility even in distant environments where there is a lot of fog or dust.



S180UHS type is a product that improves long distant visibility by equipping three high-intensity xenon lamps. The high performance product is typically used in harbors where there is fog, or mills/ steel mills where there is dust.



### Common Specifications(S180US/ S180UHS)

- Excellent long distance visibility from flashing light of the high capacity xenon lamp
- Adopts a translucent lens which provides a luminous light and subdued signal
- Convenient lamp change adopts lamp connector type structure
- Built-in buzzer available(Volume : Max 90dB at 1m)
- Materials: Lens-ABS, Housing-ABS
- Flashing rate : 60-80 flashes/min(2 time consecutively flashing off or two in a row)
- Ambient operating temperature : -30°C to +50°C
- Protection rating : IP44



### S180US Xenon Lamp Strobe Signal Light

Model number	Voltage	Current	Bulb			Certificates	Weight	Color
			Spec	Standard	Parts no			
S180US	DC12V -24V	Max. 1.280A	280V -400V	BH0647(G) W Type	49	-	0.84kg	• R-Red • A-Amber • G-Green • B-Blue
	AC110V	0.270A					0.80kg	
	AC220V	0.220A					0.80kg	



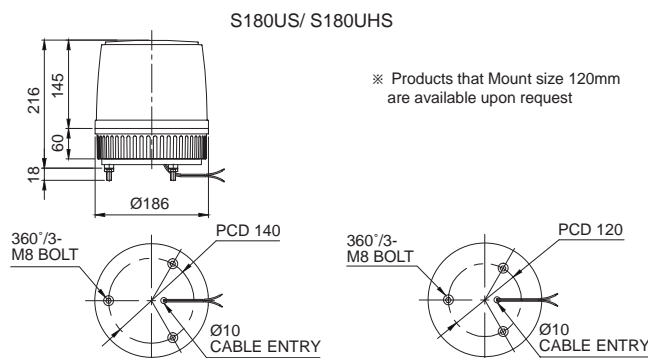
### S180UHS Hyper Brightness Xenon Lamp Strobe Signal Light

Model number	Voltage	Current	Bulb			Certificates	Weight	Color
			Spec	Standard	Parts no			
S180UHS	DC12V -24V	Max. 2.280A	280V -400V	BH0647(G) W Type	49	-	1.18kg	• R-Red • A-Amber • G-Green • B-Blue
	AC110V	0.890A					1.02kg	
	AC220V	0.450A					1.02kg	



### Technical Diagram

(Units : mm)



### Wiring Instructions

- External power line standard : UL1015 AWG18(0.75sq)×2C 400mm
- DC type : Black output line is negative(-)



### Customization

- 2 buzzer sound types : Both prolonged(beep, beep) and staccato(beep, beep, beep) buzzer output available
- The product mount hole size 120mm(PCD 120mm)



### Ordering Specification

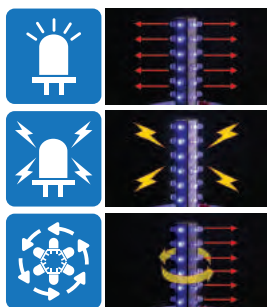
S180US	BZ	220	R
[Model number]	[Buzzer option]	[Voltage]	[Color]
• S180US • S180UHS	• None • No buzzer • BZ • Built-in buzzer	• 12/24-DC12V-24V • 110-AC110V • 220-AC220V	• R-Red • A-Amber • G-Green • B-Blue

# MFL series

## Multiple Function LED Signal Lights



### Operating steady/ flashing, strobe, simulated revolving flashing, Multiple function LED signal lights




- LED Steady/ Flashing**  
 Repeat operation of LED signal light on/off
- LED Strobe**  
 Short LED Steady/ Flashing cycle. Creates a xenon flashing effect by providing maximum electric current
- LED Simulated Revolving**  
 LEDs flash steadily around the cylindrical LED filaments which makes a simulated revolving effect



#### Manual switch to select operation

ON=1 / OFF=0

Operate 4 kinds of function by dip switches



No.	1	2	Operation
0	0	0	LED Steady
1	0	1	LED flashing
2	1	0	LED Strobe
3	1	1	LED Simulated revolving flashing

#### Common Specifications(MFL60/ MFL80/ MFL100/ MFL125)

- Product has multi functions of LED Steady/ Flashing, strobe, and simulated revolving
- Operating options with switches inside product or external connect
- Shock and vibration-resistant, maintenance reduced with long-lasting energy-efficient LED light bulb
- Built-in buzzer available(Volume : Max 80dB at 1m)
- Flashing type(LF) flashing rates : 60-80 flashes/min
- Strobe type(LS) flashing rates : 70-80 flashes/min
- Simulated revolving type(LR) flashing rates : 120-140 flashes/min
- Materials : Lens-PC, housing-ABS, Mounting bracket-PC
- Ambient operating temperature : -30°C to +50°C
- Protection rating : IP65
- Certificates : CE Compliant, UL
- Compliant with RoHS directive



MFL60

#### MFL60 Ø60mm Multiple Function LED Signal Light

Model number	Voltage	Current	Certificates	Weight	Color
MFL60	DC12V-24V	Max. 0.150A	 DC only	0.21kg	● R-Red ● A-Amber ● G-Green ● B-Blue
	AC110V-220V	Max. 0.045A		0.32kg	



MFL80

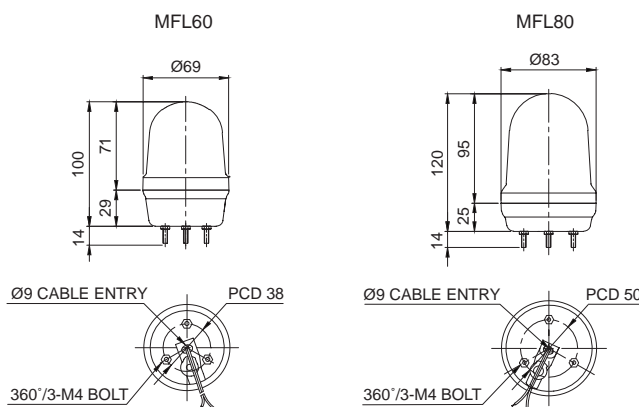
#### MFL80 Ø80mm Multiple Function LED Signal Light

Model number	Voltage	Current	Certificates	Weight	Color
MFL80	DC12V-24V	Max. 0.200A	 DC only	0.28kg	● R-Red ● A-Amber ● G-Green ● B-Blue
	AC110V-220V	Max. 0.060A		0.51kg	

- \* DC type model has a free-voltage range of 10V-30V.
- \* AC type model has a free-voltage range of 100V-240V.

#### Technical Diagram

(Units : mm)



# MFL series

## LED Signal Light with Multiple Light Functions



**Multi-functional model with selectable steady/ flashing strobe, and simulated revolving flashing mode**



**MFL100**



**MFL125**



### MFL100 Ø100mm Multiple Light Function LED Signal Light

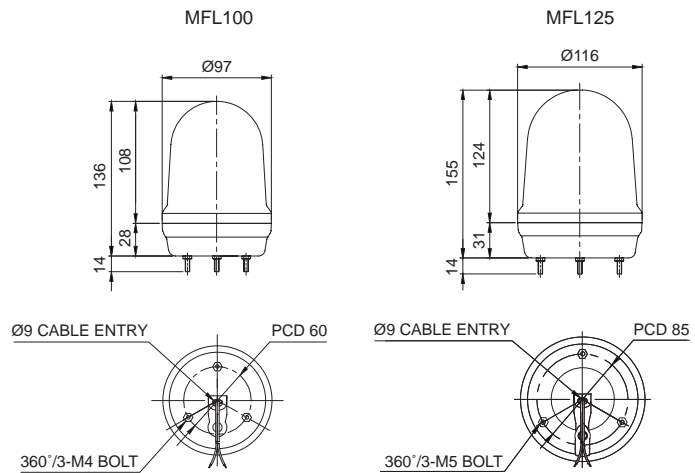
Model number	Voltage	Current	Certificates	Weight	Color
MFL100	DC12V-24V	Max. 0.260A	 DC only	0.30kg	● R-Red ● A-Amber ● G-Green ● B-Blue
	AC110V-220V	Max. 0.075A		0.52kg	

### MFL125 Ø125mm Multiple Light Function LED Signal Light

Model number	Voltage	Current	Certificates	Weight	Color
MFL125	DC12V-24V	Max. 0.260A	 DC only	0.52kg	● R-Red ● A-Amber ● G-Green ● B-Blue
	AC110V-220V	Max. 0.075A		0.92kg	

※ DC type model has a free-voltage range of 10V-30V.  
 ※ AC type model has a free-voltage range of 100V-240V.

### Technical Diagram (Units : mm)



### Wiring Instructions

- External power line standard : UL1015 AWG18(0.75sq)×2C 400mm
- Product can be wired regardless of polarity

### Accessories

- Wall mounting bracket options : Bracket structure allows for threading through the bracket hole or into the wall mount



### Ordering Specification

<b>MFL100</b>	-	<b>BZ</b>	-	<b>110/220</b>	-	<b>R</b>
[Model number]		[Buzzer option]		[Voltage]		[Color]
<ul style="list-style-type: none"> <li>• MFL60</li> <li>• MFL80</li> <li>• MFL100</li> <li>• MFL125</li> </ul>		<ul style="list-style-type: none"> <li>• None</li> <li>- No buzzer</li> <li>• BZ</li> <li>- Built-in buzzer</li> </ul>		<ul style="list-style-type: none"> <li>• 12/24</li> <li>-DC12V-24V</li> <li>• 110/220</li> <li>-AC110V-220V</li> </ul>		<ul style="list-style-type: none"> <li>● R-Red</li> <li>● A-Amber</li> <li>● G-Green</li> <li>● B-Blue</li> </ul>



# SOL series

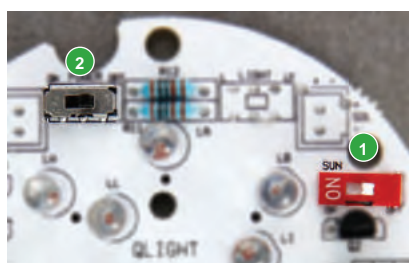
## Solar Rechargeable LED Flashing Signal Lights



- Applicable in road construction sites with a limited power supply
- Applicable on vehicles that require a warning light at night
- Can be used to display vehicle position in dark residential parking areas



**S80SOL**



- Sun Switch**  
Automatically turns on the light when darkness is detected.  
Factory default is set to OFF.
- Power Switch**  
ON/OFF power switch that prevents discharge prior to use.  
Factory default is set to OFF.

### SOL solar light model does not require external power supply or wiring!

#### Features High Energy Efficiency and Longevity

SOL Solar light models can be used in environmental conditions where power supply is limited or wiring is difficult.



#### Features High Energy Efficiency and Longevity

Qlight's solar rechargeable signal lights have a special design that mounts the solar panels inside a structure that minimizes adverse effects such as dust and moisture. This improves the efficiency and extends the lifetime of the product.



High-tide maritime surveillance systems



Low-speed night vehicle operation

#### Common Specifications(S80SOL/ S100SOL/ S125SOL)

- Solar rechargeable LED flashing signal light that does not require an external power supply or wiring
- Built-in Darkness Detection System that automatically begins to operate when darkness is detected
- Fully enclosed structure that can withstand storm and severe dust environments (IP54)
- Prevents discharge using a built-in power switch
- Flashing Rate : 60-80 flashes/min
- Materials : Lens-PC, Body-ABS, Reflector-Heat resistant ABS
- Ambient operating temperature : -25°C to +50°C
- Protection rating : IP54
- Certificates : CE Compliant

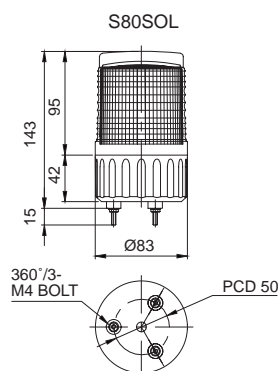
#### S80SOL Ø80mm Solar Rechargeable LED Flashing Signal Light

- 80mm Compact model
- A single charge (8 hours) serves up to 30 hours of continuous operation

Model number	Battery Voltage	Battery Capacity	Continuous operating time with no charge	Certificates	Weight	Color Options
S80SOL	2.4V	0.700Ah	30Hr	CE	0.27kg	<ul style="list-style-type: none"> <li>• R-Red</li> <li>• A-Amber</li> </ul>

#### Technical Diagram

(Units : mm)





# SOL series

## Solar Rechargeable LED Flashing Signal Lights



S100SOL

### S100SOL Ø100mm Solar Rechargeable LED Flashing Signal Light

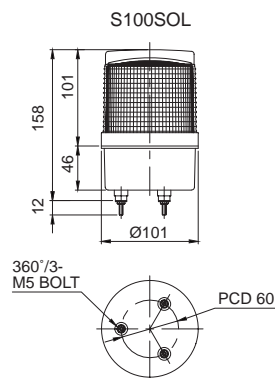
- Ø100mm model for general purpose
- 40 hours operation continuous by 1 time recharge(8 hours)

Model number	Battery Voltage	Battery Capacity	Continuous operating time with no charge	Certificates	Weight	Color Options
S100SOL	2.4V	0.700Ah	40Hr	CE	0.41kg	<ul style="list-style-type: none"> <li>• R-Red</li> <li>• A-Amber</li> </ul>



#### Technical Diagram

(Units : mm)



S125SOL

### S125SOL Ø125mm Solar Rechargeable LED Flashing Signal Light

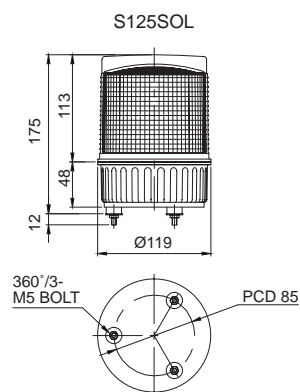
- Ø125mm standard item
- 50 hours of continuous operation from 1 time recharge(8 hours)

Model number	Battery Voltage	Battery Capacity	Continuous operating time with no charge	Certificates	Weight	Color Options
S125SOL	2.4V	0.700Ah	50Hr	CE	0.51kg	<ul style="list-style-type: none"> <li>• R-Red</li> <li>• A-Amber</li> </ul>



#### Technical Diagram

(Units : mm)



#### Ordering Specification

<b>S80SOL</b>	-	<b>R</b>
[Model number]		[Color]
<ul style="list-style-type: none"> <li>• S80SOL</li> <li>• S100SOL</li> <li>• S125SOL</li> </ul>		<ul style="list-style-type: none"> <li>• R-Red</li> <li>• A-Amber</li> </ul>



#### Accessories

- Magnetic mounting bracket
- Wall mount bracket options : Bracket structure allows for threading through the bracket hole or into the wall mount

- S80SOL



Wall Mount Bracket  
TWS80



Wall Mount Bracket  
TWA80

- S100SOL/ S125SOL



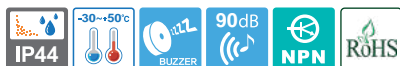
Wall Mount Bracket  
SWP125



Wall Mount Bracket  
SWM125

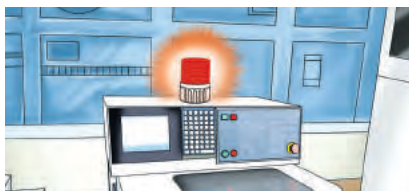
# SMCL series

Multiple Color LED Steady/ Flashing Signal Lights



## Signal lights that produces two or three multicolored LED signals

This budget model uses a multiple color LED light source to provide signals in two or three colors.



### Common Specifications(SMCL80/ SMCL100/ SMCL125)

- Ideal for locations where space requirements need one warning light to convey multiple color signals
- LED light distribution system with multi-tiered reflector provides uniformed light signals throughout the entire lens
- The subdued light provides a comfortable and stable viewing condition for operation in close proximity
- Built-in buzzer available(Volume : Max 90dB at 1m)
- Can select between steady/ flashing mode
- Flashing rate : 60-80 flashes/min
- Materials : Lens-AS, Body-ABS, Reflector-Heat resistant ABS
- Ambient operating temperature : -30°C to +50°C
- Protection rating : IP44
- Certificates : CE Compliant
- Compliant with RoHS directive



SMCL80



SMCL100

### SMCL80 Ø80mm Multi-Color LED Steady/ Flashing Signal Light

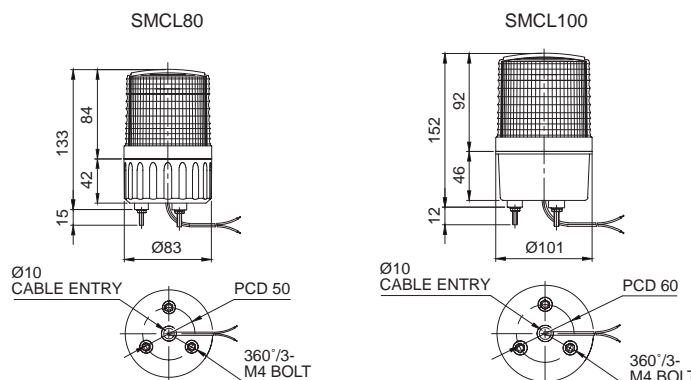
Model number	Voltage	Current	Certificates	Weight	Color
SMCL80	DC12V-24V	Max. 0.235A	CE DC24V, AC only	0.18kg	<ul style="list-style-type: none"> <li>• R-Red</li> <li>• A-Amber</li> <li>• G-Green</li> </ul>
	AC110V	0.065A		0.28kg	
	AC220V	0.035A		0.28kg	

### SMCL100 Ø100mm Multi-Color LED Steady/ Flashing Signal Light

Model number	Voltage	Current	Certificates	Weight	Color
SMCL100	DC12V-24V	Max. 0.390A	CE DC24V, AC only	0.23kg	<ul style="list-style-type: none"> <li>• R-Red</li> <li>• A-Amber</li> <li>• G-Green</li> </ul>
	AC110V	0.095A		0.32kg	
	AC220V	0.045A		0.32kg	

### Technical Diagram

(Units : mm)



# SMCL series

## Multiple Color LED Steady/ Flashing Signal Lights

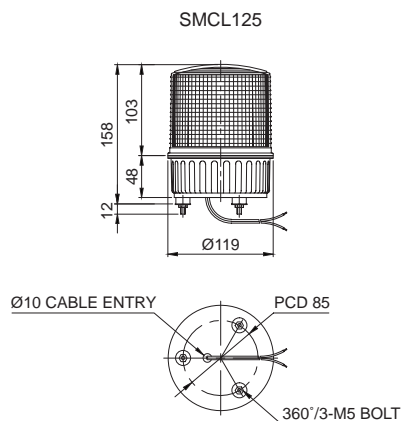


**SMCL125**

### SMCL125 Ø125mm Multi-Color LED Steady/ Flashing LED Signal Light

Model number	Voltage	Current	Certificates	Weight	Color
SMCL125	DC12V-24V	Max. 0.410A	DC24V, AC only	0.27kg	● R-Red ● A-Amber ● G-Green
	AC110V	0.105A		0.36kg	
	AC220V	0.055A		0.36kg	

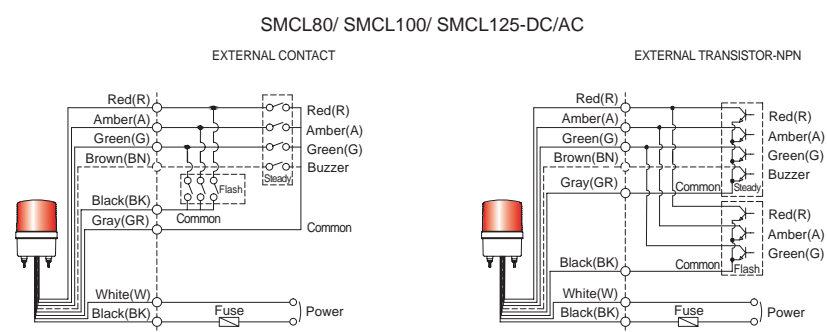
### Technical Diagram (Units : mm)



### Wiring Instructions

- SMCL type can be wired with external contacts and transistor
- Wiring to transistor, use the NPN transistor. Please wire properly based on wiring instructions
- External power line standard : UL1015 AWG18(0.75sq)×2C 400mm
- External signal line standard : UL1007 AWG22(0.3sq) 400mm
- Product can be wired regardless of polarity

### Wiring Instructions



### Accessories

- Wall mounting bracket options : Bracket structure allows for threading through the bracket hole or into the wall mount



### Ordering Specification

<b>SMCL100</b>	-	<b>BZ</b>	-	<b>3</b>	-	<b>220</b>	-	<b>RAG</b>
[Model number]		[Buzzer option]		[Color]		[Voltage]		[Color]
<ul style="list-style-type: none"> <li>• SMCL80</li> <li>• SMCL100</li> <li>• SMCL125</li> </ul>		<ul style="list-style-type: none"> <li>• None</li> <li>• No buzzer</li> <li>• BZ</li> <li>• Built-in buzzer</li> </ul>		<ul style="list-style-type: none"> <li>• 2-2colors</li> <li>• 3-3colors</li> </ul>		<ul style="list-style-type: none"> <li>• 12/24-DC12V-24V</li> <li>• 110-AC110V</li> <li>• 220-AC220V</li> </ul>		<ul style="list-style-type: none"> <li>• R-Red</li> <li>• A-Amber</li> <li>• G-Green</li> </ul>

# QMCL series

## Multiple Color LED Steady Signal Lights



### • 7 Color modes available via wiring

You can configure seven color signals by combining the 4 signal wires (red, green, blue, black) attached to the warning light.



QMCL60



QMCL80

### Multi-Color Warning Light with Seven Color Options

#### • Emits a cozy and comfortable hue

QMCL series signal lights have a milky translucent hue when turned on. These signal lights provide a comfortable and stable viewing condition for workers in close proximity.



#### Common Specifications(QMCL60/ QMCL80/ QMCL100/ QMCL125)

- Helps reduce the costs of installation by reducing the space needed to emit seven color signals in a single warning light
- Milky translucent color when off, the soft LED illuminates designated color when on
- Built-in buzzer available (Volume : Max 80dB at 1m)
- Materials : Lens-AS, Body-ABS
- Ambient operating temperature : -30°C to +50°C
- Protection rating : IP65
- Certificates : CE Compliant
- Compliant with RoHS directive

#### QMCL60 Ø60mm Multiple Color LED Steady Signal Light

Model number	Voltage	Current	Certificates	Weight	Color
QMCL60	DC12V	0.170A		0.12kg	7 Colors
	DC24V	0.070A		0.12kg	

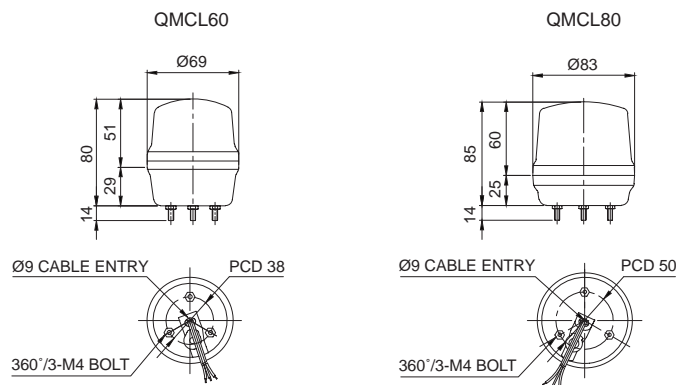
#### QMCL80 Ø80mm Multiple Color LED Steady Signal Light

Model number	Voltage	Current	Certificates	Weight	Color
QMCL80	DC12V	0.170A		0.17kg	7 Colors
	DC24V	0.120A		0.17kg	

#### Technical Diagram

(Units : mm)

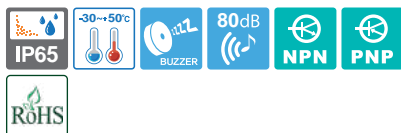
	Voltage	AC/DC12V	AC/DC24V
QMCL60	Signal Line Power Consumption	0.170A	0.070A
	Buzzer Line Power Consumption	0.030A	0.040A
QMCL80	Signal Line Power Consumption	0.170A	0.120A
	Buzzer Line Power Consumption	0.030A	0.040A
QMCL100	Signal Line Power Consumption	0.200A	0.120A
	Buzzer Line Power Consumption	0.030A	0.040A
QMCL125	Signal Line Power Consumption	0.245A	0.170A
	Buzzer Line Power Consumption	0.030A	0.040A





# QMCL series

## Multiple Color LED Steady Signal Lights



**New innovative LED signal light that can be configure with 7 colors in 1 signal lamp**



QMCL100



QMCL125

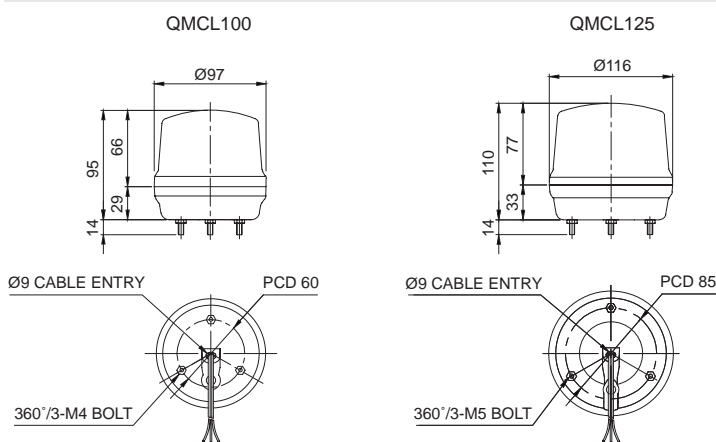
### QMCL100 Ø100mm Multiple Color LED Steady Signal Light

Model number	Voltage	Current	Certificates	Weight	Color
QMCL100	DC12V	0.200A		0.24kg	7 Colors
	DC24V	0.120A		0.24kg	

### QMCL125 Ø125mm Multiple Color LED Steady Signal Light

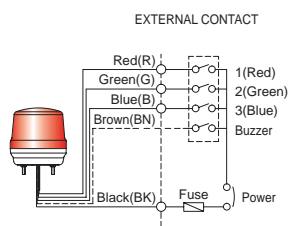
Model number	Voltage	Current	Certificates	Weight	Color
QMCL125	DC12V	0.245A		0.31kg	7 Colors
	DC24V	0.170A		0.31kg	

### Technical Diagram (Units : mm)



### Wiring Instructions

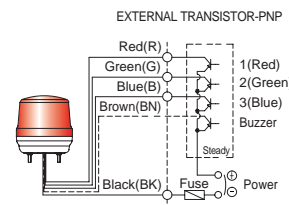
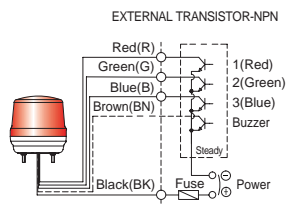
QMCL60/ QMCL80/ QMCL100/ QMCL125-DC



No.	Color	Wiring
1	Red	1(Red)
2	Green	2(Green)
3	Blue	3(Blue)
4	Amber	1(Red)+2(Green)
5	Cyan	2(Green)+3(Blue)
6	Purple	1(Red)+3(Blue)
7	White	1(Red)+2(Green)+3(Blue)

### Wiring Instructions

- External signal line standard : Signal line 4P(R,G,B,K) threading, signal line standard UL1007 AWG22(0.3sq) 400mm
- Product can be wired regardless of polarity
- Please refer to Wiring Instructions diagram to properly configure color options



### Ordering Specification

QMCL80	BZ	24
[Model number]	[Buzzer option]	[Voltage]
<ul style="list-style-type: none"> <li>QMCL60</li> <li>QMCL80</li> <li>QMCL100</li> <li>QMCL125</li> </ul>	<ul style="list-style-type: none"> <li>None</li> <li>No buzzer</li> <li>BZ</li> <li>Built-in buzzer</li> </ul>	<ul style="list-style-type: none"> <li>12-DC12V</li> <li>24-DC24V</li> </ul>

### Accessories

- Wall mounting bracket options : Bracket structure allows for threading through the bracket hole or into the wall mount



# SWTC series



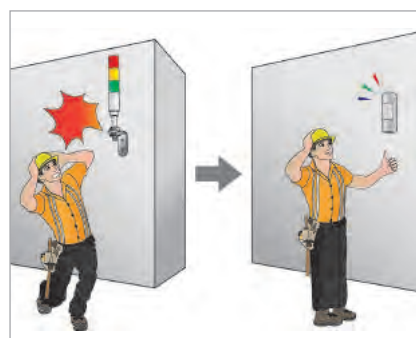
**New innovative LED signal light that can be configure with 2-3 colors in 1 signal lamp**



**SWTC**  
Chromium Plated Body



**SWTCE**



**Semi circular design allows for convenient wall mount**

## Wall Mounting Multiple Color LED Steady/ Flashing Signal Lights

### SWTC/ SWTCE Wall Mounting Multiple Color LED Steady/ Flashing Signal Lights

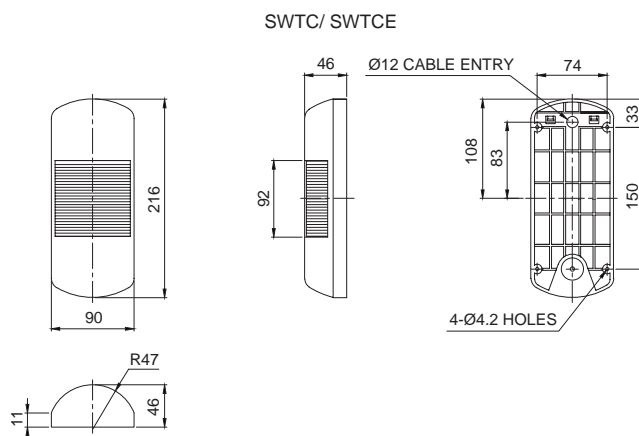
- Cost effective model which transfers two or three signals with one lamp
- Wide angle lens structure provides excellent visibility in all directions
- Excellent visibility by adopting direct LED light radiation structure
- Tightly sealed structure allows outdoor installation
- Lens Colors Arrangement  
Two colors : ●Red ●Green  
Three colors : ●Red ●Amber ●Green
- Built-in buzzer available (Volume Max 90dB at 1m)
- Materials : Lens-PC, Body-ABS, Filter Lens-PC, Cover-ABS
- Ambient operating temperature : -30°C to +50°C
- Protection rating : IP55
- Certificates : CE Compliant
- Compliant with RoHS directive

#### Specifications

Model number	Voltage	Current	Certificates	Weight	Color
SWTCL Steady	DC12V-24V	Max.0.445A	CE DC24V only	0.31kg	● R-Red ● A-Amber ● G-Green
SWTCLF Steady/ Flashing					
SWTCEL Steady	AC110V	0.075A		0.46kg	
SWTCELF Steady/ Flashing	AC220V	0.035A	0.46kg		

#### Technical Diagram

(Units : mm)



#### Wiring Instructions

- External power line standard : UL1015 AWG18(0.75sq)×2C 400mm
- Signal line : UL1007 AWG22(0.3sq) 400mm

※ Please refer to page 72 for detailed wiring information.

#### Customization

- Special color combination
- 2 buzzer sound types : Both prolonged(beep, beep) and staccato(beep, beep, beep) buzzer output available

#### Ordering Specification

SWTCL	BZ	3	220	RAG
[Model number]	[Buzzer option]	[Colors]	[Voltage]	[Color]
<ul style="list-style-type: none"> <li>• SWTCL</li> <li>• SWTCLF</li> <li>• SWTCEL</li> <li>• SWTCELF</li> </ul>	<ul style="list-style-type: none"> <li>• None</li> <li>• - No buzzer</li> <li>• BZ</li> <li>• - Built-in buzzer</li> </ul>	<ul style="list-style-type: none"> <li>• 2-2color</li> <li>• 3-3color</li> </ul>	<ul style="list-style-type: none"> <li>• 12/24</li> <li>• -DC12V-24V</li> <li>• 110-AC110V</li> <li>• 220-AC220V</li> </ul>	<ul style="list-style-type: none"> <li>• ● R-Red</li> <li>• ● A-Amber</li> <li>• ● G-Green</li> </ul>

# SWTC series

## Wall Mounting Multiple Color LED Steady/ Flashing Signal Lights



### Wiring Instructions

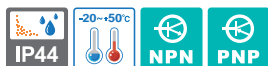
- SWTC series can be wired with external contacts and transistors
- In case of wiring with transistors, please select the proper transistor type : Either NPN or PNP based on the source voltage setting
- Please wire properly based on the technical diagram
- Product can be wired regardless of polarity

	By external contact	By transistor
DC Steady type	<p>SWTC(E)L-DC</p>	<p>SWTC(E)L-DC</p>
DC Steady/ Flashing type	<p>SWTC(E)LF-DC</p>	<p>SWTC(E)LF-DC</p>
AC Steady type	<p>SWTC(E)L-AC</p>	<p>SWTC(E)L-AC</p>
AC Steady/ Flashing type	<p>SWTC(E)LF-AC</p>	<p>SWTC(E)LF-AC</p>

- DC steady type : External power line and signal line standard : UL1007 AWG22(0.3sq) 400mm
- AC steady, AC/DC steady/ flashing type : External power line standard : UL1015 AWG18(0.75sq)×2C 400mm  
Signal line standard : UL1007 AWG22(0.3sq) 400mm

# SR series

## Stackable Warning/ Signal Lights



SR



SRP

### Common Specifications(SR/SRL)

- Ø80mm stacked structure
- Multi signal transmissions capable in 1 signal light
- Standard color
  - 1<sup>st</sup> layered - ● Red
  - 2<sup>nd</sup> layered - ● Red ● Green
  - 3<sup>rd</sup> layered - ● Red ● Yellow ● Green
- Materials : Lens-AS, Body-ABS, Reflector-Heat resistant ABS
- Protection rating : IP44

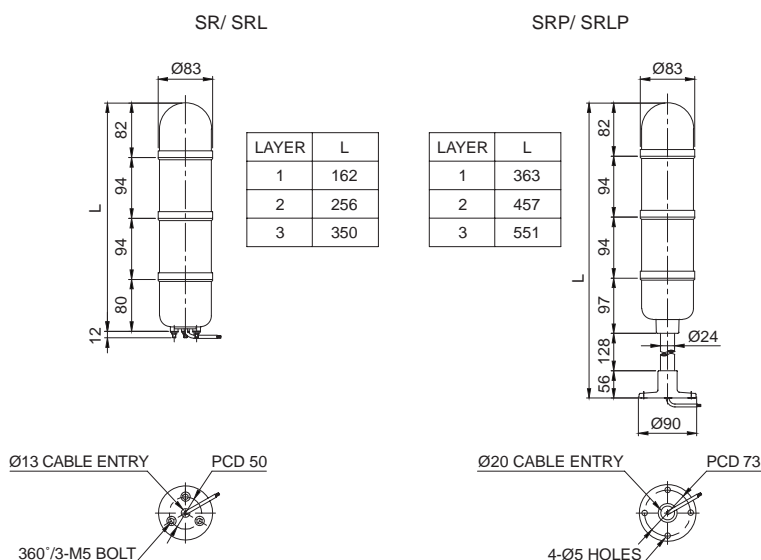
### SR/ SRP Bulb Revolving Tower Warning/ Signal Lights

- Adopts a special power transmission system that reduces noise and wear
- 2<sup>nd</sup> & 3<sup>rd</sup> stacked lens colors can be changeable except for the top layer lens
- Revolving speed : 120-140RPM
- Ambient operation temperature : -20°C to +50°C

Model number	Layer	Voltage	Current	Bulb			Certificates	Weight	Color
				Spec	Standard	Parts no			
SR SRP	1	DC12V	0.488A	12V5W	T16x35 15S	5	-	0.28kg	● R-Red
		DC24V	0.310A	24V5W	T16x35 15S	6		0.28kg	
		AC110V	0.102A	12V5W	T16x35 15S	5		0.49kg	
		AC220V	0.051A	12V5W	T16x35 15S	5		0.49kg	
	2	DC12V	0.968A	12V5W	T16x35 15S	5		0.53kg	● R-Red ● G-Green
		DC24V	0.620A	24V5W	T16x35 15S	6		0.53kg	
		AC110V	0.146A	12V5W	T16x35 15S	5		0.76kg	
		AC220V	0.073A	12V5W	T16x35 15S	5		0.76kg	
	3	DC12V	1.453A	12V5W	T16x35 15S	5		0.71kg	● R-Red ● A-Amber ● G-Green
		DC24V	0.930A	24V5W	T16x35 15S	6		0.71kg	
		AC110V	0.191A	12V5W	T16x35 15S	5		1.03kg	
		AC220V	0.095A	12V5W	T16x35 15S	5		1.03kg	

### Technical Diagram

(Units : mm)





# SR series

## Stackable Signal Lights/ Warning Lights



SRL



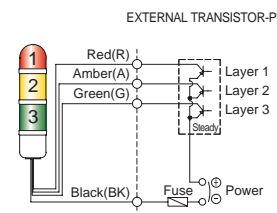
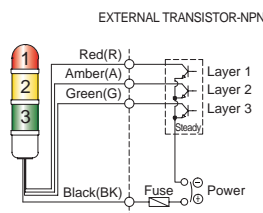
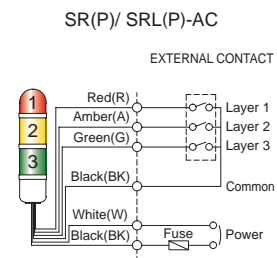
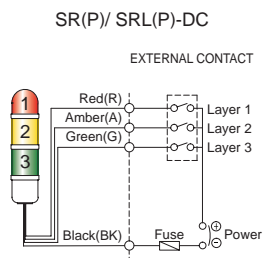
SRLP

### SRL/ SRLP LED Steady/ Flashing Signal Towers

- Qlight's exclusive LED light distribution system with multi-tiered reflector spreads light evenly throughout the surface of the 94mm height special diffusing lens
- Fixed user selected color arrangement
- Flashing rate : 60-80 flashes/min(Built-in switch for selection between steady/ flashing mode)
- Ambient operating temperature : -30°C to +50°C
- Compliant with RoHS directive

Model number	Layer	Voltage	Current	Certificates	Weight	Color
SRL SRLP	1	DC12V-24V	Max. 0.125A	-	0.23kg	• R-Red
		AC110V	0.065A		0.45kg	
		AC220V	0.030A		0.45kg	
	2	DC12V-24V	Max. 0.245A		0.37kg	• R-Red • G-Green
		AC110V	0.075A		0.70kg	
		AC220V	0.040A		0.70kg	
	3	DC12V-24V	Max. 0.370A		0.53kg	• R-Red • A-Amber • G-Green
		AC110V	0.090A		0.89kg	
		AC220V	0.045A		0.89kg	

### Wiring Instructions



- External power line standard : UL1015 AWG18(0.75sq)×2C 400mm
- Signal line : UL1007 AWG22(0.3sq) 400mm
- SR, SRP : Black output line is negative(-)

### Customization

- 4 layers available upon request
- Customized color arrangement available

### Ordering Specification

<b>SRL</b>	-	<b>3</b>	-	<b>220</b>	-	<b>RAG</b>
[Model number]		[Number of Tiers]		[Voltage]		[Color]
<ul style="list-style-type: none"> <li>• SR</li> <li>• SRP</li> <li>• SRL</li> <li>• SRLP</li> </ul>		<ul style="list-style-type: none"> <li>• 1-1tier</li> <li>• 2-2tiers</li> <li>• 3-3tiers</li> </ul>		<ul style="list-style-type: none"> <li>• 12-DC12V</li> <li>• 24-DC24V</li> <li>• 12/24-DC12V-24V (SRL, SRLP only)</li> <li>• 110-AC110V</li> <li>• 220-AC220V</li> </ul>		<ul style="list-style-type: none"> <li>• R-Red</li> <li>• A-Amber</li> <li>• G-Green</li> </ul>

### ! Please note for installation

- SRL/SRLP model wiring can be done with either external contacts or external transistors.
- In case of wiring with transistors, please select the proper transistor type : either NPN or PNP based on the source voltage setting.
- The SR/SRP type warning lights use light bulbs which do not allow the use of transistors to register the connection. Please use external contacts.

# SJ series

## Cubic Stackable Warning/ Signal Lights



SJ



SJP



### Common Specifications(SJ/ SJL)

- Beautiful appearance from stacking 95×95mm cubed tower lights
- Multi signal transmission in space of 1 signal light
- Built-in buzzer available (Volume Max 90dB at 1m)
- Standard color
  - 1Layer - ● Red
  - 2Layers - ● Red ● Green
  - 3Layers - ● Red ● Yellow ● Green
- Materials : Lens-AS, Housing-ABS, Reflector-Heat resistant ABS
- Protection rating : IP44
- Certificates : CE Compliant



### SJ/ SJP Bulb Revolving Tower Warning/ Signal Lights

- Adopts a special power transmission system which minimizes noise and wear
- Available in customized color arrangements
- Revolving speed : 120-140RPM
- Ambient operation temperature : -20°C to +50°C

Model number	Layer	Voltage	Current	Bulb			Certificates	Weight	Color
				Spec	Standard	Parts no			
SJ SJP	1	DC12V	0.488A	12V5W	T16x35 15S	5	CE	0.65kg	● R-Red
		DC24V	0.310A	24V5W	T16x35 15S	6		0.65kg	
		AC110V	0.102A	12V5W	T16x35 15S	5		0.83kg	
		AC220V	0.051A	12V5W	T16x35 15S	5		0.83kg	
	2	DC12V	0.968A	12V5W	T16x35 15S	5	CE	0.89kg	● R-Red ● G-Green
		DC24V	0.620A	24V5W	T16x35 15S	6		0.89kg	
		AC110V	0.146A	12V5W	T16x35 15S	5		1.15kg	
		AC220V	0.073A	12V5W	T16x35 15S	5		1.15kg	
	3	DC12V	1.453A	12V5W	T16x35 15S	5	CE	1.18kg	● R-Red ● A-Amber ● G-Green
		DC24V	0.930A	24V5W	T16x35 15S	6		1.18kg	
		AC110V	0.191A	12V5W	T16x35 15S	5		1.28kg	
		AC220V	0.095A	12V5W	T16x35 15S	5		1.28kg	

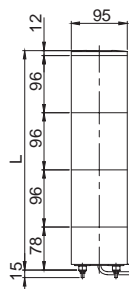


### Technical Diagram

(Units : mm)

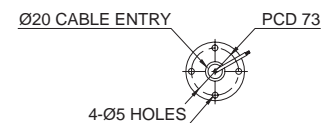
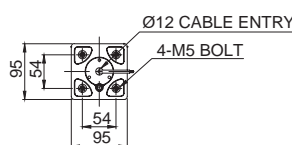
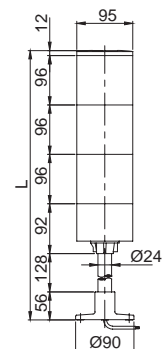
SJ/ SJL

SJP/ SJLP



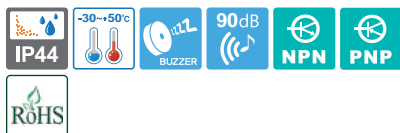
LAYER	L
1	186
2	282
3	378

LAYER	L
1	384
2	480
3	576



# SJ series

## Cube-shaped Stackable Warning/ Signal Lights



SJL



SJLP

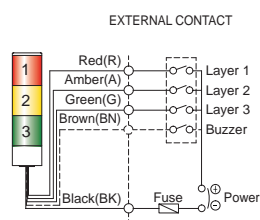
### SJL/ SJLP LED Steady/ Flashing Tower Signal Lights

- Strong LED signal light emitted through the 96mm height diffusion lens
- Fixed lens colors
- Flashing rate : 60-80 flashes/min
- Ambient operation temperature : -30°C to +50°C
- Compliant with RoHS directive

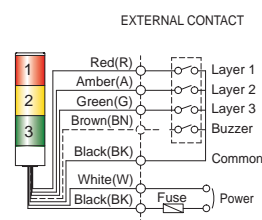
Model number	Layer	Voltage	Current	Certificates	Weight	Color
SJL SJLP	1	DC12V-24V	Max.0.185A	-	0.63kg	• R-Red
		AC110V	0.065A		0.80kg	
		AC220V	0.030A		0.80kg	
	2	DC12V-24V	Max.0.365A		0.76kg	• R-Red • G-Green
		AC110V	0.080A		1.03kg	
		AC220V	0.040A		1.03kg	
	3	DC12V-24V	Max.0.545A		1.01kg	• R-Red • A-Amber • G-Green
		AC110V	0.095A		1.24kg	
		AC220V	0.045A		1.24kg	

### Wiring Instructions

#### SJ(P)/ SJL(P)-DC

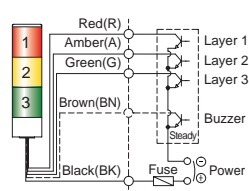


#### SJ(P)/ SJL(P)-AC

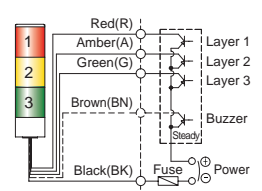


#### SJL(P)-DC

#### EXTERNAL TRANSISTOR-NPN



#### EXTERNAL TRANSISTOR-PNP



- External power line standard : UL1015 AWG18(0.75sq)×2C 400mm
- Signal line : UL1007 AWG22(0.3sq) 400mm
- SJ, SJP type : Black output line is negative(-)

### Customization

- 4 layers available upon request
- Lens colors arrangement except for standard
- 2 buzzer sound types : Both prolonged(beep, beep) and staccato(beep, beep, beep) buzzer output available
- Xenon lamp strobe type(model number : SJS/SJSP)

### Ordering Specification

SJL	BZ	3	220	RAG
[Model number]	[Buzzer option]	[Layer]	[Voltage]	[Color]
<ul style="list-style-type: none"> <li>• SJ</li> <li>• SJP</li> <li>• SJL</li> <li>• SJLP</li> </ul>	<ul style="list-style-type: none"> <li>• None</li> <li>• No buzzer</li> <li>• BZ</li> <li>• Built-in buzzer</li> </ul>	<ul style="list-style-type: none"> <li>• 1-1Layer</li> <li>• 2-2Layers</li> <li>• 3-3Layers</li> </ul>	<ul style="list-style-type: none"> <li>• 12-DC12V</li> <li>• 24-DC24V</li> <li>• 12/24-DC12V-24V (SJL, SJLP only)</li> <li>• 110-AC110V</li> <li>• 220-AC220V</li> </ul>	<ul style="list-style-type: none"> <li>• R-Red</li> <li>• A-Amber</li> <li>• G-Green</li> </ul>

### Please note for installation

- SJL/ SJLP type can be wired with external contacts and transistor.
- Wiring to transistor, use the NPN transistor. Please wire properly based on technical diagram.
- **SJ/ SJP used bulb can not be connected by using transistors. Please use the external contacts.**

# S125TL

## Ø125mm Large-Sized Stackable Signal Light



S125TL

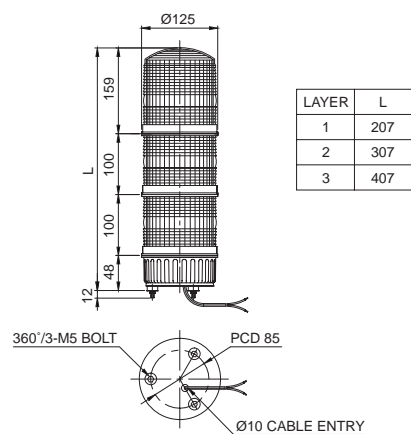


S125TL model applied in a freeway toll section.



### Technical Diagram (Units : mm)

S125TL



### Please note for installation

- S125TL type can be wired with external contacts and transistors.
- Wiring to transistor, use the NPN transistor. Please wire properly based on technical diagram.
- S125TS which uses a xenon lamp can not be connected by using transistor. Please use an external contact.



## S125TL LED Steady/ Flashing Signal Tower

- Ø125mm large-sized stackable signal lights
- Large light emitting area and special light diffusing lens provides excellent long distance visibility
- Saves mounting space by stacking one, two, or three signal lenses
- Standard color arrangements
  - 1Layer - ● Red
  - 2Layers - ● Red ● Green
  - 3Layers - ● Red ● Yellow ● Green
- The reflector with multi-tiered surface diffuses light over a wide area for uniform signal transmission
- The user selected color arrangement will be fixed
- Built-in switch for selection between steady and flashing mode
- Flashing rate : 60-80 flashes/min
- Materials : Lens-AS, Body-ABS, Reflector-Heat resistant ABS
- Ambient operating temperature : -30°C to +50°C
- Protection rating : IP44
- Compliant with RoHS directive



### Specifications

Model number	Layer	Voltage	Current	Certificates	Weight	Color
S125TL	1	DC12V-24V	Max. 0.300A	-	0.62kg	● R-Red
		AC110V	0.080A		0.84kg	
		AC220V	0.040A		0.84kg	
	2	DC12V-24V	Max. 0.600A		0.88kg	● R-Red ● G-Green
		AC110V	0.105A		1.11kg	
		AC220V	0.055A		1.11kg	
	3	DC12V-24V	Max. 0.900A		1.15kg	● R-Red ● A-Amber ● G-Green
		AC110V	0.140A		1.38kg	
		AC220V	0.070A		1.38kg	

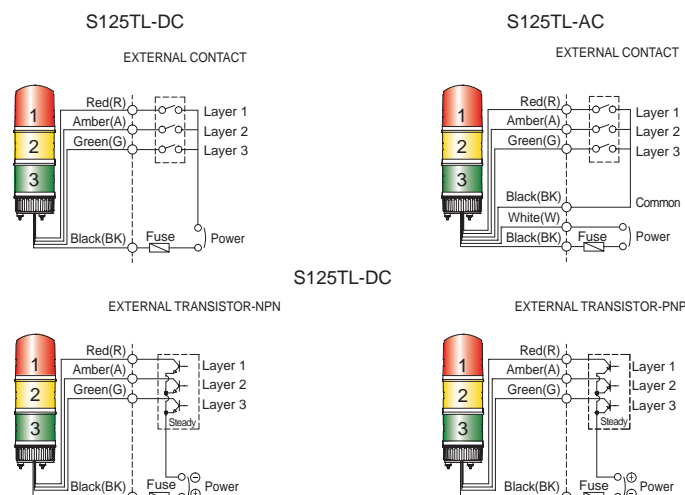


### Customization

- Customized color arrangements available
- User selected xenon strobe lamp type available upon request (Model number : S125TS)



### Wiring Instructions



- External power line standard : UL1015 AWG18(0.75sq)×2C 400mm
- Signal line : UL1007 AWG22(0.3sq) 400mm
- Product can be wired regardless of polarity



### Ordering Specification

<b>S125TL</b>	-	<b>3</b>	-	<b>12/24</b>	-	<b>RAG</b>
[Model number]		[Layer]		[Voltage]		[Color]
• S125TL		• 1-1Layer • 2-2Layers • 3-3Layers		• 12/24-DC12V-24V • 110-AC110V • 220-AC220V		• R-Red • A-Amber • G-Green



CATALOGUE

# Signal Lights & Electric Horns

INNOVATION IN ALARM & SIGNAL



References	.....	80
Products specifications	.....	82

# Reference for Warning/ Signal Lights & Electric Horns



Model number	S60AD	QWTD	QAD80H	QAD80BZ	QAD100H	QAD100BZ
Voltage	DC12V, DC24V AC110V, AC220V	AC/DC12V, AC/DC24V AC110V-AC220V	DC12V-24V	DC12V, DC24V	DC12V-24V AC110V-220V	DC12V, DC24V AC110V-220V
Dimension (mm)	Diameter	Ø70	Ø83	Ø83	Ø97	Ø97
	Height	233	154-318	198	198	215
	Depth	86	76	93	93	109
Material	Lens-AS Housing-ABS	Lens-PC Housing-ABS	Lens-PC Housing-ABS	Lens-PC Housing-ABS	Lens-PC Housing-ABS	Lens-PC Housing-ABS
Lamp & Operation	Bulb Steady/Flashing	•				
	Bulb Revolving					
	LED Revolving					
	LED Steady/Flashing	•	•	•	•	•
Sound & Volume	LED Strobe					
	LED Simulated revolving xenon lamp strobe	•				
	High Buzzer	Max 100dB at 1m			Max 105dB at 1m	Max 105dB at 1m
	5 Signal sounds		Max 85dB at 1m			
Mounting structure	Voice			Max 100dB at 1m		Max 100dB at 1m
	30 signal sounds					
	31 signal sounds					
	MP3				Max 95dB at 1m	
Mounting structure	Wall mount	Wall mount	Wall mount	Wall mount	Wall mount	Wall mount
IP	IP54	IP54	IP65	IP65	IP65	IP65
Certificates	CE	CE	CE	CE, UL	CE	CE, UL
Customization	2 tones buzzer	2 tones buzzer, Color combinations except for standard	-	-	-	-
transistor	-	NPN Type	NPN Type	-	NPN Type	-
Page	P82	P84	P87	P87	P88	P88



Model number	QAD125H	QAD125BZ	QWCD35	QWCD50	QWCD35T	QWCD50T
Voltage	DC12V-24V AC110V-220V	DC12V, DC24V AC110V-220V	DC12V-DC24V AC110V-220V	DC12V, DC24V AC110V-220V	DC12V-DC24V AC110V-220V	DC12V-DC24V AC110V-220V
Dimension (mm)	Diameter	Ø116	Ø116	136×179	168×222	136×179
	Height	244	244	-	-	-
	Depth	132	132	126	163	126
Material	Lens-PC Housing-ABS	Lens-PC Housing-ABS	Horn-PC Housing-PC+ABS	Horn-PC Housing-PC+ABS	Horn-PC Housing-PC+ABS	Horn-PC Housing-PC+ABS
Lamp & Operation	Bulb Steady/Flashing	•				
	Bulb Revolving					
	LED Revolving					
	LED Steady/Flashing	•	•	•	•	•
Sound & Volume	LED Strobe					
	LED Simulated revolving xenon lamp strobe					
	High Buzzer		Max 105dB at 1m			
	5 Signal sounds					
Mounting structure	Voice					
	30 signal sounds	Max 115dB at 1m				
	31 signal sounds			Max 115dB at 1m	Max 123dB at 1m	Max 115dB at 1m
	MP3	Max 100dB at 1m		Max 113dB at 1m	Max 118dB at 1m	Max 113dB at 1m
Mounting structure	Wall mount	Wall mount	Wall mount	Wall mount	Wall mount	Wall mount
IP	IP65	IP65	IP66	IP66	IP66	IP66
Certificates	CE	CE, UL	CE, UL, CCS	CE, UL	CE	CE
Customization	-	-	External signal line	External signal line	External signal line	External signal line
transistor	NPN Type	-	NPN Type	NPN Type	NPN Type	NPN Type
Page	P89	P89	P91-92	P91-92	P93-94	P93-94

# Reference for Warning/ Signal Lights & Electric Horns



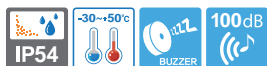
Model number	SJD	STD	S100D	S125D	S125DML	
Voltage	DC12V, DC24V AC110V, AC220V	DC12V, DC24V AC110V, AC220V	DC12V, DC24V AC110V, AC220V	DC12V, DC24V AC110V, AC220V	DC12V-24V AC110V-220V	
Dimension (mm)	Diameter	95×95(Cubic)	Ø80(Globe) Ø119(Body)	Ø101(Globe) Ø119(Body)	Ø115(Globe) Ø119(Body)	Ø115(Globe) Ø119(Body)
	Height	274-466	232-512	226	215	215
	Depth	-	-	-	-	-
Material	Lens-AS Housing-ABS	Lens-AS Housing-ABS	Lens-AS Housing-ABS	Lens-AS Housing-ABS	Lens-AS Housing-ABS	
Lamp & Operation	Bulb Steady/Flashing	•	•	•	•	
	Bulb Revolving			•	•	
	LED Steady/Flashing	•	•	•	•	
	LED Strobe			•	•	
Sound & Volume	LED Simulated revolving, xenon lamp strobe	•		•	•	
	High Buzzer					
	5 Signal sounds	Max 90dB at 1m	Max 105dB at 1m	Max 105dB at 1m	Max 105dB at 1m	Max 105dB at 1m
	Voice	Max 80dB at 1m	Max 95dB at 1m	Max 95dB at 1m	Max 95dB at 1m	Max 95dB at 1m
30 signal sounds						
31 signal sounds						
MP3						
Mounting structure	Self stand	Self stand	Self stand	Self stand	Self stand	
IP	IP23	IP54	IP54	IP54	IP54	
Certificates	-	CE	CE	CE	-	
Customization	Lens color expect for standard	Customized lens height	-	-	-	
transistor	NPN Type	NPN Type	NPN Type	NPN Type	NPN Type	
Page	P95-96	P97	P99-100	P101-102	P103	



Model number	STNDL	STND100	STND125	
Voltage	DC12V, DC24V AC110V-220V	DC12V, DC24V AC110V-220V	DC12V, DC24V AC110V-220V	
Dimension (mm)	Diameter	Ø80(Globe) Ø119(Body)	Ø101(Globe) Ø119(Body)	Ø115(Globe) Ø119(Body)
	Height	267-547	261	250
	Depth	-	-	-
Material	Lens-AS Housing-ABS	Lens-AS Housing-ABS	Lens-AS Housing-ABS	
Lamp & Operation	Bulb Steady/Flashing	•	•	•
	Bulb Revolving			
	LED Steady/Flashing	•	•	•
	LED Strobe			
Sound & Volume	LED Simulated revolving, xenon lamp strobe			
	High Buzzer			
	5 Signal sounds	Max 105dB at 1m	Max 105dB at 1m	Max 105dB at 1m
	Voice	Max 98dB at 1m	Max 98dB at 1m	Max 98dB at 1m
30 signal sounds				
31 signal sounds				
MP3				
Mounting structure	Self stand	Self stand	Self stand	
IP	IP54	IP54	IP54	
Certificates	CE	CE	CE, UL	
Customization	Customized lens height	-	-	
transistor	NPN Type	NPN Type	NPN Type	
Page	P105	P107	P108	

# S60AD series

## Signal/ Warning Lights with High Volume Built-in Buzzer



S60AD series



### Common Specifications(S60ADL/ S60ADS/ S60ADB)

- Ø60mm warning light with high volume built-in buzzer in a vertical configuration
- Cone-shaped horn helps diffuse sound to generate clear and distinctive sound signals
- Suitable for applications that require downward audible signals in elevated locations
- Buzzer sound volume (Max 100dB at 1m)
- Materials : Lens-AS, Body-ABS, Reflector-Heat resistant ABS
- Ambient operating temperature : -30°C to +50°C
- Protection Rating : IP54
- Certificates : CE Compliant

### S60ADL LED Steady/Flashing Signal Light

- LED reflector with multi-tiered design provides an even and clear illumination throughout the entire lens
- Selectable between steady and flashing mode
- Flashing rate : 60-80 flashes/min

Model number	Voltage	Current	Certificates	Weight	Color
S60ADL	DC12V	0.166A	CE	0.17kg	<ul style="list-style-type: none"> <li>• R-Red</li> <li>• A-Amber</li> <li>• G-Green</li> <li>• B-Blue</li> </ul>
	DC24V	0.125A		0.17kg	
	AC110V	0.043A		0.32kg	
	AC220V	0.022A		0.32kg	

### S60ADS Xenon Lamp Strobe Signal Light

- Flashing rate : 60-80 flashes/min

Model number	Voltage	Current	Certificates	Weight	Color
S60ADS	DC12V	0.550A	CE	0.29kg	<ul style="list-style-type: none"> <li>• R-Red</li> <li>• A-Amber</li> <li>• G-Green</li> <li>• B-Blue</li> </ul>
	DC24V	0.266A		0.29kg	
	AC110V	0.088A		0.27kg	
	AC220V	0.044A		0.27kg	

### S60ADB Bulb Steady/Flashing Signal Light

- Employs a special filament to prevent damage caused by possible voltage variations
- Selectable between steady and flashing mode
- Flashing rate : 60-80 flashes/min

Model number	Voltage	Current	Bulb			Certificates	Weight	Color
			Spec	Standard	Parts no			
S60ADB	DC12V	1.008A	12V10W	T16x35 15S	9	CE	0.19kg	<ul style="list-style-type: none"> <li>• R-Red</li> <li>• A-Amber</li> <li>• G-Green</li> <li>• B-Blue</li> </ul>
	DC24V	0.556A	24V10W	T16x35 15S	10		0.19kg	
	AC110V	0.127A	110V10W	T16x35 15S	12		0.18kg	
	AC220V	0.064A	220V10W	T16x35 15S	13		0.18kg	



# S60AD series

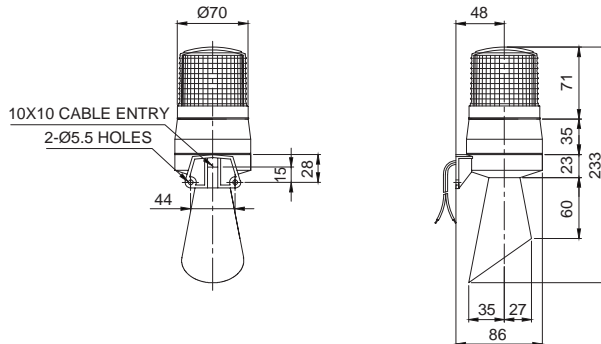
## Signal/ Warning Lights with High Volume Built-in Buzzer



### Technical Diagram

(Units : mm)

S60ADL/ S60ADS/ S60ADB



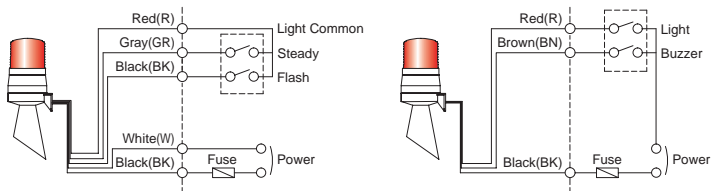
### Wiring Instructions

S60ADB-DC/AC

S60ADL/ S60ADS-DC/AC

EXTERNAL CONTACT

EXTERNAL CONTACT



- S60ADB : Power line standard UL1015 AWG18(0.75sq)×2C 400mm  
Signal line standard UL1007 AWG22(0.3sq) 400mm
- S60ADL/ S60ADS : Signal line UL1007 AWG22(0.3sq) 400mm
- Product can be wired regardless of polarity



### Customization

- 2 buzzer sound types : Both prolonged(beep, beep) and staccato(beep, beep, beep) buzzer output available
- Strong buzzer type 105dB(model number : S60AD-HBZ)



### Ordering Specification

<b>S60ADL</b>	-	<b>220</b>	-	<b>R</b>
[Model number]		[Voltage]		[Color]
<ul style="list-style-type: none"> <li>• S60ADL</li> <li>• S60ADS</li> <li>• S60ADB</li> </ul>		<ul style="list-style-type: none"> <li>• 12-DC12V</li> <li>• 24-DC24V</li> <li>• 110-AC110V</li> <li>• 220-AC220V</li> </ul>		<ul style="list-style-type: none"> <li>• R-Red</li> <li>• A-Amber</li> <li>• G-Green</li> <li>• B-Blue</li> </ul>



S60AD emits powerful buzzer sound through the cone type sound radiating structure.

# QWTD series

## Wall Mount LED Signal Towers with Built-in Siren



**Wall mount signal tower with built-in audible alarm is now available!**

- **WS (5 Warning sounds)**
- **WP (5 Special warning sounds)**
- **WM (5 Melodies)**
- **WA (5 Alarms)**



**QWTD series**



### QWTD Speaker

QWTD embedded speaker design minimizes risk of contamination from debris while providing efficient sound output.

### QWTD Ø70mm Wall Mount LED Steady/Flashing Signal Towers

- Wall mount model that minimizes the chance of damage from moving obstacles or personnel
- Superior side visibility with round-shaped lens
- 5 selectable sound pattern combinations (5 warning sounds, 5 special warning sounds, 5 melodies, 5 alarms)
- Selectable between steady/flashing mode with proper wire arrangement
- Standard color arrangements
  - 1 Layer : ●Red
  - 2 Layers : ●Red ●Green
  - 3 Layers : ●Red ●Amber ●Green
  - 4 Layers : ●Red ●Amber ●Green ●Blue
  - 5 Layers : ●Red ●Amber ●Green ●Blue ●Clear White
- Available for customized color arrangements
- Built-in siren sound volume (Max 85dB at 1m)
- Materials : Lens-PC, Cover-ABS, Case-ABS
- Ambient operating temperature : -30°C to +50°C
- Protection rating : IP54
- Certificates : CE Compliant
- Compliant with RoHS directive

### Specifications

Model number	Layer	Voltage	Current	Certificates	Weight	Color
QWTDL Steady QWTDLF Steady/ Flashing	1	AC/DC12V	0.486A	CE DC24V only	0.14kg	● R-Red
		AC/DC24V	0.340A		0.14kg	
		AC110V-220V	Max 0.105A		0.27kg	
	2	AC/DC12V	0.584A		0.18kg	● R-Red ● G-Green
		AC/DC24V	0.435A		0.18kg	
		AC110V-220V	Max 0.132A		0.32kg	
	3	AC/DC12V	0.682A		0.23kg	● R-Red ● A-Amber ● G-Green
		AC/DC24V	0.531A		0.23kg	
		AC110V-220V	Max 0.158A		0.36kg	
	4	AC/DC12V	0.780A		0.27kg	● R-Red ● A-Amber ● G-Green ● B-Blue
		AC/DC24V	0.627A		0.27kg	
		AC110V-220V	Max 0.185A		0.41kg	
	5	AC/DC12V	0.878A		0.32kg	● R-Red ● A-Amber ● G-Green ● B-Blue ● W-White
		AC/DC24V	0.723A		0.32kg	
		AC110V-220V	Max 0.211A		0.45kg	

- QWTD-WS** 5 Pre-Recorded Warning Sounds
- QWTD-WP** 5 Pre-Recorded Special Warning Sounds
- QWTD-WM** 5 Pre-Recorded Melodies
- QWTD-WA** 5 pre-Recorded Alarms

- ※ AC type model has a free-voltage range of 100V-240V.
- ※ Please refer to page144 for detailed information about selectable sound patterns.

### Signal/Audible Line Power Consumption (per each layer)

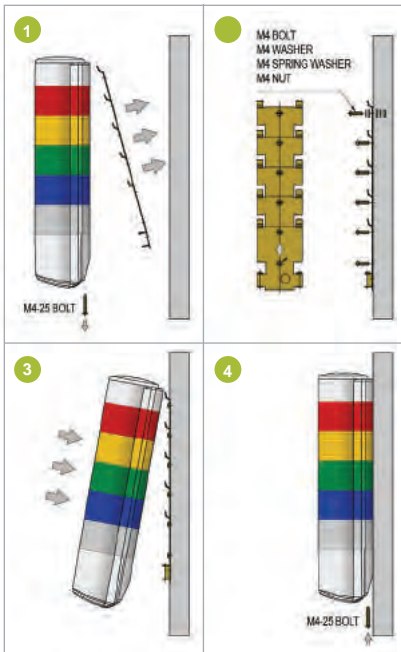
Voltage Rating	AC/DC12V	AC/DC24V	AC110V-220V
Signal Line Power Current	0.486A	0.340A	Max 0.105A
Audible Line Power Current	0.388A	0.244A	Max 0.079A

- ※ You can even rearrange the pre-assembled LED color arrangements after installation.

# QWTD series

## Wall Mount LED Signal Towers with Built-in Siren

### How to mount

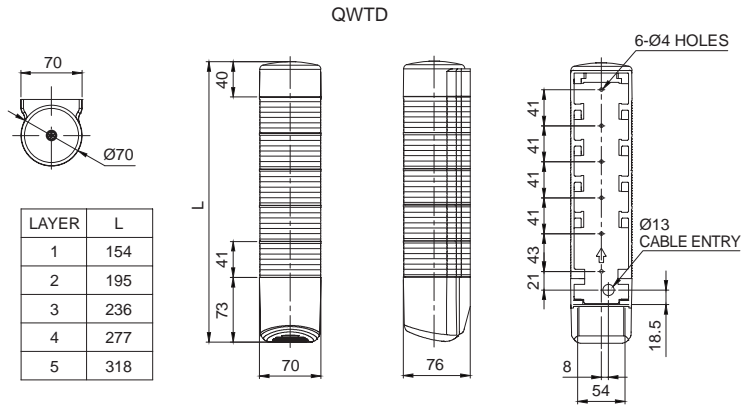


- 1 Dismantle body and mount by loosening two M4 bolts at the bottom of the lamp
- 2 Put the mounting bracket on the mounting hole
- 3 Hang the lamp on the mount
- 4 Fasten two M4 bolts at the bottom of the lamp after completing installation on the mount



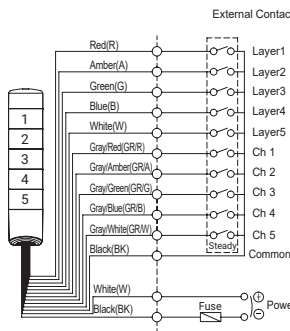
### Technical Diagram

(Units : mm)



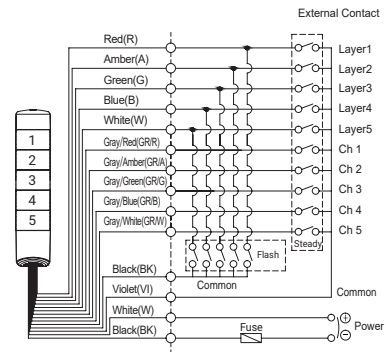
### Wiring Instructions

QWTDL-DC/AC(Steady)

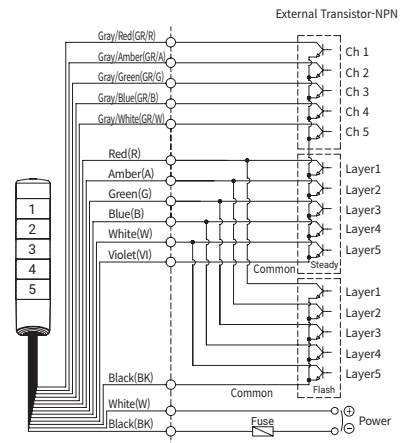
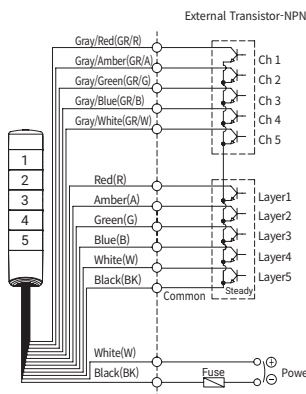


QWTDL-DC/AC(Steady)

QWTDLF-DC/AC(Steady/Flashing)



QWTDLF-DC/AC(Steady/Flashing)



- Wiring both external power line and transistor
- QWTD allows steady/flash mode by wiring
- External power line standard, UL1015 AWG18(0.75sq)×2C 400mm
- Signal line standard, UL1007 AWG22(0.3sq) 400mm



### Customization

- Special color combinations



### Ordering Specification

QWTDL	WS	3	110/220	RAG
[Model number]	[Sounds]	[Layers]	[Voltage]	[Color]
<ul style="list-style-type: none"> <li>• QWTDL</li> <li>• QWTDLF</li> </ul>	<ul style="list-style-type: none"> <li>• WS-Warning sound</li> <li>• WP-Special warning sound</li> <li>• WM-Melody</li> <li>• WA-Alarm</li> </ul>	<ul style="list-style-type: none"> <li>• 1-1Layer</li> <li>• 2-2Layers</li> <li>• 3-3Layers</li> <li>• 4-4Layers</li> <li>• 5-5Layers</li> </ul>	<ul style="list-style-type: none"> <li>• 12-DC12V</li> <li>• 24-DC24V</li> <li>• 110/220</li> <li>• -AC110V-220V</li> </ul>	<ul style="list-style-type: none"> <li>• R-Red</li> <li>• A-Amber</li> <li>• G-Green</li> <li>• B-Blue</li> <li>• W-White</li> </ul>

# QAD series

## Signal/ LED Warning Lights with High Volume Built-in Buzzer

### Wall Mount Dome Type Signal Light with Electrical Horn

#### Siren Buzzer 105dB, Electric Horn 100-115dB

- 6 Bit input, 5 sound tones for each group
- Binary input 30 sound tones output
- SD Card(MP3) support



#### Sound Tone Selection & Volume Control

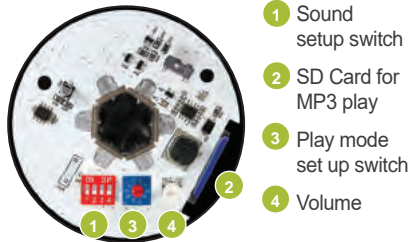
QAD series are the combination of dome type signal lights and electric horn that allow sound tone selection and volume control through a built-in control panel. (Buzzer type is unsupported)

QAD series (external sound product) can the support MP3 format through SD Card. (QAD100H/ QAD125H)

#### Multi-functional Product

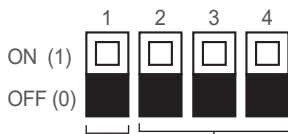
\* Buzzer type is unsupported

#### How to Setup



#### Sound Setup Switch

Built-in sound and user-defined sound is toggled by using the sound setup switch '1'.



#### Group Choice in Bit Input Mode

- 001 : WS (5 Warning sounds)
- 010 : WP (5 special warning sounds 1<sup>st</sup> group)
- 011 : WM (5 Melodies)
- 100 : WA (5 Alarms)
- 101 : WO (5 special warning sounds 2<sup>nd</sup> group)
- 110 : WN (5 special warning sounds 3<sup>rd</sup> group)

#### Sound Selection

- 0 : Built-in sound
- 1 : SD Card(MP3)

- Built-in sounds(5WS, 5WP, 5WM, 5WA, 5WO and 5WN)
- Support SD Card(MP3)
- Binary Input : 30Ch
- Bit input : 5Ch(6 groups)
- Support MP3 format through SD Card
- Detailed instructions for multi-functional products are shown on page 146



#### Common Specifications(QAD80/ QAD100/ QAD125)

- Combination of warning light and horn allow for both visual and audible signal transmission at once
- Flashing rate : 60-80 flashes/min(Built-in Steady-Flash selection switch)
- Appropriate sound tones can be chosen depending on the various working environment among various available sound tones
- Sound tone selector and volume controller in front of the device allows for convenient use (Buzzer type is unsupported)
- SD Card type allows user defined sound tone
- Built-in 30 sound tones, Support Binary and Bit input modes
- Bit input mode consists of 5 sound types with 6 groups. Choose one of the groups to play 5 sounds.(MP3 does not support group)
- MP3 support(QAD100H/ QAD125H)
- Materials : Lens - PC, Housing - ABS
- Ambient operating temperature : -30°C to +50°C
- Protection rating : IP65
- Compliant with RoHS directive

#### 30 Built-in sounds

Multi-functional product has built-in 30 sound tones

Sound	Category	Ch	Sound Tone	Sound	Category	Ch	Sound Tone
WS	5 warning sounds	Ch1	Fire.A-ANG	WA	5 alarms	Ch1	Beep Intermittent
		Ch2	Emergency WA-U(Yelp)			Ch2	Door Chime
		Ch3	Ambulance PI-PO(Hi-low)			Ch3	Phone Ring
		Ch4	Machinery Fault			Ch4	PI.PI.PI Short
		Ch5	High Expansion			Ch5	Tripping Beat
WP	5 special warning sounds (1 <sup>st</sup> group)	Ch1	Fire.A-ANG	WO	5 special warning sounds (2 <sup>nd</sup> group)	Ch1	Rel rel rel
		Ch2	Abandon Alarm			Ch2	Slow Ambulance PI-PO
		Ch3	Machinery Fault			Ch3	Wye yong Wye yong
		Ch4	High Expansion			Ch4	Phone ring 2
		Ch5	7 Short Pl. / 1 Long			Ch5	Fire.A-ANG
WM	5 melodies	Ch1	Sweet Home	WN	5 special warning sounds (3 <sup>rd</sup> group)	Ch1	Oit Oit
		Ch2	For Elise			Ch2	Pi o Pi o
		Ch3	Cuckoo's Waltz			Ch3	Slow Di o Di o
		Ch4	Piano Sonata			Ch4	Li long Li ling
		Ch5	Turkish March			Ch5	911 Siren

#### User-defined sound (MP3)

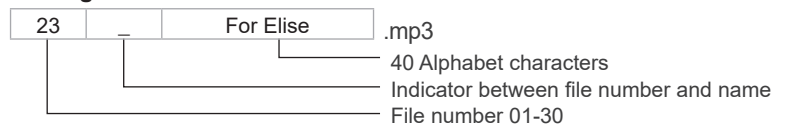
#### User-defined sound(MP3) type



Customer can create a playlist and grouping conveniently through PC. Product supports up to 32Gbyte. SD Card is an optional item.

\*SD Card needs to be purchased.

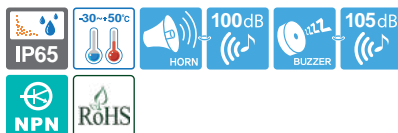
#### MP3 file naming





# QAD series

## Signal/ LED Warning Lights with High Volume Built-in Buzzer



- 6 Bit input, 5 sound tones for each group
- Binary input 30 sound tones output



QAD80 series

QAD80 does not support SD Card.



QAD series buzzer and electric sound is rich and clear because the RESONANCE CHAMBER amplifies the sound.

**⚠ Do not supply power into the signal line. Product may be damaged as a result**

- Once powering on, signal light will work. However, the speaker will require additional wiring.

### QAD80H Wall Mount Type LED Steady/ Flash & Electric Horn

- Built-in sound

Model number	Voltage	Current	Sound Pattern and volume	Certificates	Weight	Color
QAD80H	DC12V-24V	Max. 0.990A	<ul style="list-style-type: none"> <li>• Bit Input : 5Ch</li> <li>• Binary Input: 30Ch</li> <li>• Warning sounds : Max 100dB</li> </ul>	CE	0.70kg	<ul style="list-style-type: none"> <li>• R-Red</li> <li>• A-Amber</li> <li>• G-Green</li> <li>• B-Blue</li> </ul>

※ Operating range for DC model : DC10V-30V

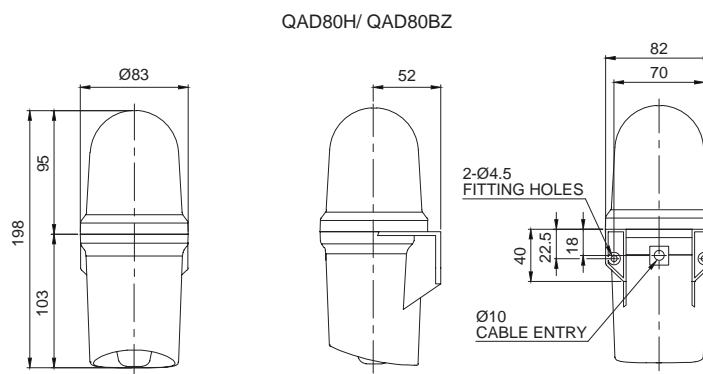
### QAD80BZ Wall Mount Type LED Steady/ Flash & Strong Buzzer

- Built-in strong buzzer

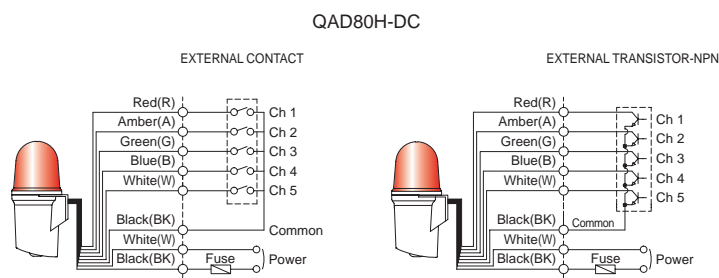
Model number	Voltage	Current	Sound Pattern and volume	Certificates	Weight	Color
QAD80BZ	DC12V	0.500A	• Buzzer Volume : Max 105dB	CE UL	0.75kg	<ul style="list-style-type: none"> <li>• R-Red</li> <li>• A-Amber</li> <li>• G-Green</li> <li>• B-Blue</li> </ul>
	DC24V	0.270A			0.75kg	

### Technical Diagram

(Units : mm)



### Wiring Instructions



- External power line standard, UL1015 AWG18(0.75sq)×2C 400mm
- Signal line standard, UL1007 AWG22(0.3sq) 400mm
- Product can be wired regardless of polarity
- In case of 6 Bits input, 5 sound tones can be played. For Binary input, 30 sound tones can be played

※ Detailed instructions for multi-functional products are shown on page 146. (Wiring Instructions substitutes for channel selection switch)

### Ordering Specification

QAD80H	-	12/24	-	R
[Model number]		[Voltage]		[Color]
• QAD80H		• 12/24-DC12V-24V		• R-Red
• QAD80BZ		• 12-DC12V		• A-Amber
		• 24-DC24V		• G-Green
				• B-Blue

# QAD series

## Signal/ LED Warning Lights with High Volume Built-in Buzzer



- 6 Bit input, 5 sound tones for each group
- Binary input 30 sound tones output SD Card(MP3) support



QAD100 series



QAD series buzzer and electric sound is rich and clear because the RESONANCE CHAMBER amplifies the sound.

- ⚠ Do not supply power into the signal line. Product may be damaged as a result**
- Once powering on, signal light will work. However, the speaker will require additional wiring.

### QAD100H Wall Mount Type LED Steady/ Flash & Electric Horn

- Built-in sound/ MP3

Model number	Voltage	Current	Sound Pattern and Volume	Certificates	Weight	Color
QAD100H	DC12V-24V	Max 1.020A	• Bit Input : 5Ch • Binary Input : 30Ch • Warning : Max 100dB • MP3 : Max 95dB	CE	0.92kg	• R-Red • A-Amber • G-Green • B-Blue
	AC110V-220V	Max 0.210A			0.94kg	

- ※ DC type model has a free-voltage range of 10V-30V.
- ※ AC type model has a free-voltage range of 100V-240V.

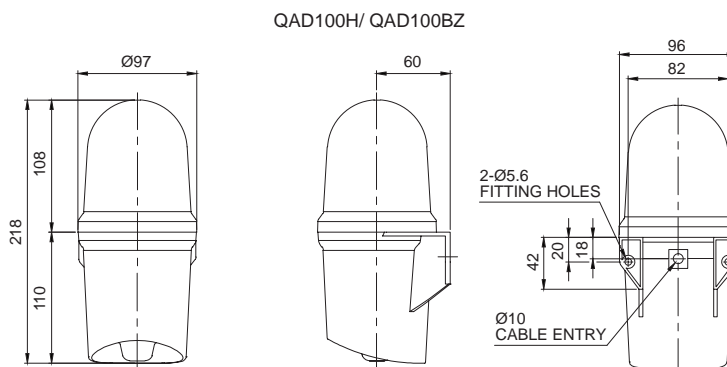
### QAD100BZ Wall Mount Type LED Steady/ Flash & Strong Buzzer

- Built-in strong buzzer

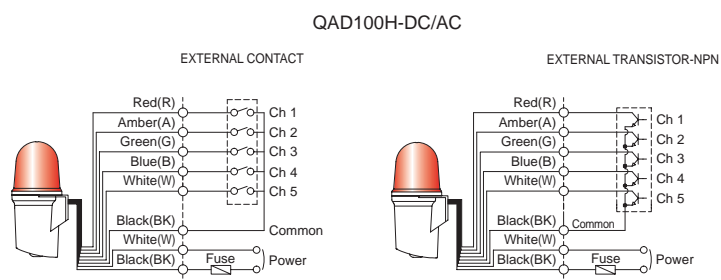
Model number	Voltage	Current	Sound Pattern and Volume	Certificates	Weight	Color
QAD100BZ	DC12V	0.460A	• Buzzer Volume : Max 105dB	CE UL	0.98kg	• R-Red • A-Amber • G-Green • B-Blue
	DC24V	0.290A				
	AC110V-220V	Max 0.145A				

- ※ AC type model has a free-voltage range of 100V-240V.

### Technical Diagram (Units : mm)



### Wiring Instructions



- External power line standard, UL1015 AWG18(0.75sq)×2C 400mm
- Signal line standard, UL1007 AWG22(0.3sq) 400mm
- Product can be wired regardless of polarity
- In case of 6 Bits input, 5 sound tones can be played. For Binary input, 30 sound tones can be played

※ Detailed instructions for multi-functional products are shown on page 146. (Wiring Instructions substitutes for channel selection switch)

### Ordering Specification

<b>QAD100H</b>	-	<b>110/220</b>	-	<b>R</b>
[Model number]		[Voltage]		[Color]
• QAD100H • QAD125H		• 12/24-DC12V-24V • 110/220-AC110V-220V		• R-Red • A-Amber • G-Green • B-Blue

# QAD series

## Signal/ LED Warning Lights with High Volume Built-in Buzzer



- 6 Bit input, 5 sound tones for each group
- Binary input 30 sound tones output SD Card(MP3) support



QAD125 series



QAD series buzzer and electric sound is rich and clear because the RESONANCE CHAMBER amplifies the sound.

**⚠ Do not supply power into the signal line. Product may be damaged as a result**

- Once powering on, signal light will work. However, the speaker will require additional wiring.

### QAD125H Wall Mount Type LED Steady/ Flash & Electric Horn

- Built-in sound/MP3

Model number	Voltage	Current	Sound Pattern and Volume	Certificates	Weight	Color
QAD125H	DC12V-24V	Max. 2.150A	<ul style="list-style-type: none"> <li>• Bit Input : 5Ch</li> <li>• Binary Input : 30Ch</li> <li>• Warning : Max 115dB</li> <li>• MP3 : Max 100dB</li> </ul>		1.12kg	<ul style="list-style-type: none"> <li>• R-Red</li> <li>• A-Amber</li> <li>• G-Green</li> <li>• B-Blue</li> </ul>
	AC110V-220V	Max 0.320A			1.14kg	

※ DC type model has a free-voltage range of 10V-30V.  
 ※ AC type model has a free-voltage range of 100V-240V.

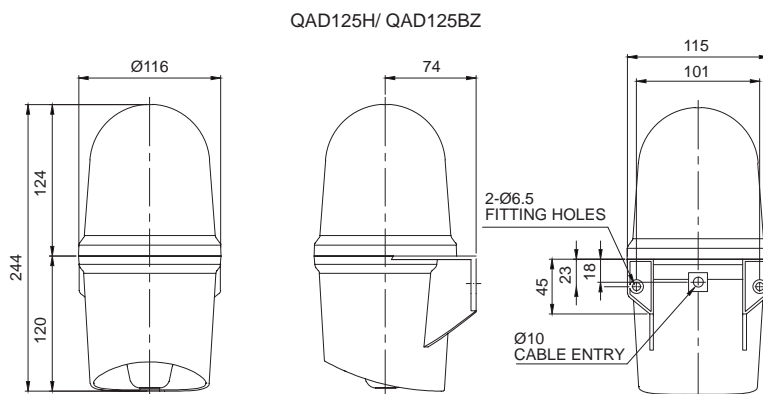
### QAD125BZ Wall Mount Type LED Steady/ Flash & Strong Buzzer

- Built-in strong buzzer

Model number	Voltage	Current	Sound Pattern and Volume	Certificates	Weight	Color
QAD125BZ	DC12V	0.460A	<ul style="list-style-type: none"> <li>• Buzzer Volume : Max 105dB</li> </ul>	  DC only	1.22kg	<ul style="list-style-type: none"> <li>• R-Red</li> <li>• A-Amber</li> <li>• G-Green</li> <li>• B-Blue</li> </ul>
	DC24V	0.290A			1.27kg	
	AC110V-220V	Max 0.145A			1.27kg	

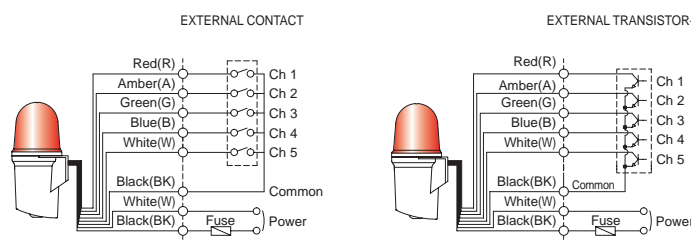
※ AC type model has a free-voltage range of 100V-240V.

### Technical Diagram (Units : mm)



### Wiring Instructions

QAD125H-DC/AC



- External power line standard, UL1015 AWG18(0.75sq)×2C 400mm
- Signal line standard, UL1007 AWG22(0.3sq) 400mm
- Product can be wired regardless of polarity
- In case of 6 Bits input, 5 sound tones can be played. For Binary input, 30 sound tones can be played

※ Detailed instructions for multi-functional products are shown on page 146. (Wiring Instructions substitutes for channel selection switch)

### Ordering Specification

QAD125BZ	-	24	-	R
[Model number]		[Voltage]		[Color]
<ul style="list-style-type: none"> <li>• QAD100BZ</li> <li>• QAD125BZ</li> </ul>		<ul style="list-style-type: none"> <li>• 12-DC12V</li> <li>• 24-DC24V</li> <li>• 110/220-AC110V-220V</li> </ul>		<ul style="list-style-type: none"> <li>• R-Red</li> <li>• A-Amber</li> <li>• G-Green</li> <li>• B-Blue</li> </ul>



# QWCD series

## LED Strobe Signal Light and Electric Horn Combinations

### A new concept of using the horn cover as a light globe

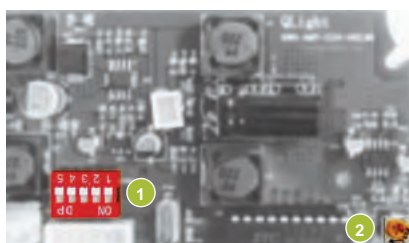


**QWCD series is an integrated horn and light globe.**

QWCD series	
QWCD35(T)	Built-in standard sound
QWCD35(T)SD	MP3(SD Card)
QWCD50	Built-in standard sound, large output sound
QWCD50SD	SD Card(MP3), Large output sound

- By using the horn cover as a light globe, the size of the product has been reduced significantly
- The color of light can be selected from red, yellow, green, or blue
- Product has two models : the basic model with 31 built-in sounds, and an external sound (MP3) type model
- Includes seven different playback functions; one function is the continuous playback function which provides constant message notification
- There are 31 built-in sounds that can be played in various environments, and supports a Binary input method
- You can save and play up to 31 mp3 files using a external SD Card
- Can easily set up the sounds using a PC
- By making the horn cover with polycarbonate (PC) material, The product has excellent durability and weather resistance
- Can be used for heavy-duty, ship, or outdoor use which requires waterproof, dustproof structure (IP66)

#### Built-in sound type



- 1 Sound selection switch
- 2 Volume

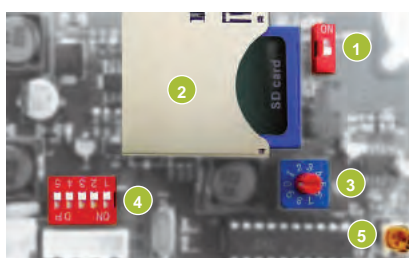
#### The input method of built-in sound type

No.	1	2	3	4	5
0	0	0	0	0	0
1	0	0	0	0	1
2	0	0	0	1	0
:	:	:	:	:	:
31	1	1	1	1	1

Built-in sound type model supports Binary input mode which provides a selection of 31 different input combinations for five kinds of sounds.

You can only select 2 numbers with 1 switch; "0", "1". With 5 switches you can have 31 combinations. Selecting one sound from 5 switches is the Binary input method.

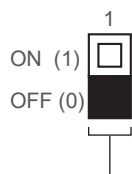
#### SD Card(MP3) type



- 1 Sound setting switch
- 2 MP3 playable SD Card
- 3 Play mode setting switch
- 4 Sound select switch
- 5 Volume

#### The sound selection method of SD Card type

Can easily select built-in sound or external sound(MP3) by using the sound selection switch.



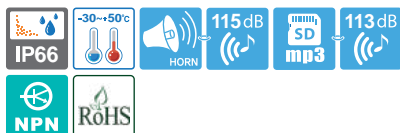
**The sound selection**  
 0 : Select built-in sound  
 1 : Select SD Card

- 31 built-in special warning sounds
- Supports SD Card (MP3)
- Binary Input : 31Ch
- Bit Input : 5Ch (SD Card only)
- A multifunctional product that can play MP3 files using an SD Card
- Please refer to Page 144 for detailed settings
- Built-in sound is set to #1 as default



# QWCD series

## LED Strobe Signal Light and Electric Horn Combinations



- Qlight's exclusive innovative design - the horn cover emits light!
- Combination of 31 sound options built in and SD Card(MP3) option



QWCD35 series

### Common Specifications(QWCD35/ QWCD35SD/ QWCD50/ QWCD50SD)

- Easy device customization with built in sound selection function, volume adjustment function and an SD Card slot for user inputted tones
- 31 available tones that can be selected for a variety of environments
- The user can select their own tones by inputting the MP3 file directly into the SD Card
- 31 pre-recorded tones available via binary input
- Suitable for use in environments that require a tight seal and superior dust protection rated IP66
- Easy wiring through external terminal box (QWCD35T, QWCD35TSD, QWCD50T, QWCD50TSD)
- Flashing rate : 60-80 flashes/min
- Materials : Horn-PC, Body-PC+ABS
- Ambient operating temperature : -50°C to +60°C(Standard type)  
-20°C to +50°C(SD Card type)
- Protection Rating : IP66
- Certificates : CE Compliant, UL Listed, CCS
- Compliant with RoHS directive

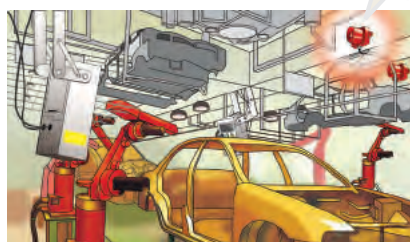
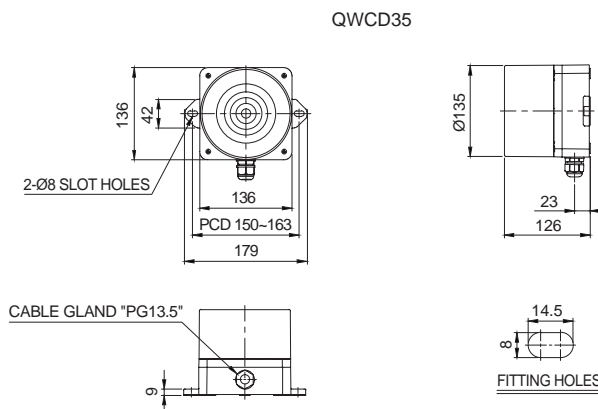
### QWCD35 LED Strobe Signal Light and Electric Horn Combination

Model number	Voltage	Current	Sound Pattern and Volume	Certificates	Weight	Color
QWCD35 Built-in standard sound	DC12V-24V	Max. 1.300A	• Bit Input : 5Ch (SD Card) • Binary Input : 31Ch		1.10kg	<ul style="list-style-type: none"> <li>• R-Red</li> <li>• A-Amber</li> <li>• G-Green</li> <li>• B-Blue</li> </ul>
	AC110V-220V	Max. 0.350A				
QWCD35SD MP3	DC12V-24V	Max. 1.200A	• Warning Sounds: 115dB • MP3 Messages : 113dB		1.15kg	
	AC110V-220V	Max. 0.310A				

※ DC type model has a free-voltage range of 10V-30V.  
 ※ AC type model has a free-voltage range of 100V-240V.

### Technical Diagram

(Units : mm)



QWCD35 model applied in an automobile production plant environment.

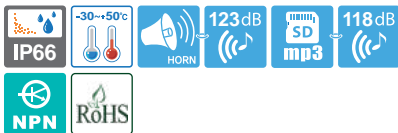
### QWCD50 LED Strobe Light and Electric Horn Combination

Model number	Voltage	Current	Sound Pattern and Volume	Certificates	Weight	Color
QWCD50 Built-in standard sound	DC12V-24V	Max.5.450A	• Bit Input : 5Ch (SD Card) • Binary Input : 31Ch		2.70kg	<ul style="list-style-type: none"> <li>• R-Red</li> <li>• A-Amber</li> <li>• G-Green</li> <li>• B-Blue</li> </ul>
	AC110V-220V	Max.0.900A				
QWCD50SD MP3	DC12V-24V	Max.3.800A	• Warning Sounds: 123dB • MP3 Messages : 118dB		3.00kg	
	AC110V-220V	Max.0.720A				

※ DC type model has a free-voltage range of 10V-30V.  
 ※ AC type model has a free-voltage range of 100V-240V.

# QWCD series

## LED Strobe Signal Light and Electric Horn Combinations



- Qlight's exclusive innovative design - the horn cover emits light!
- Combination of 31 sound options built in and SD Card(MP3) option

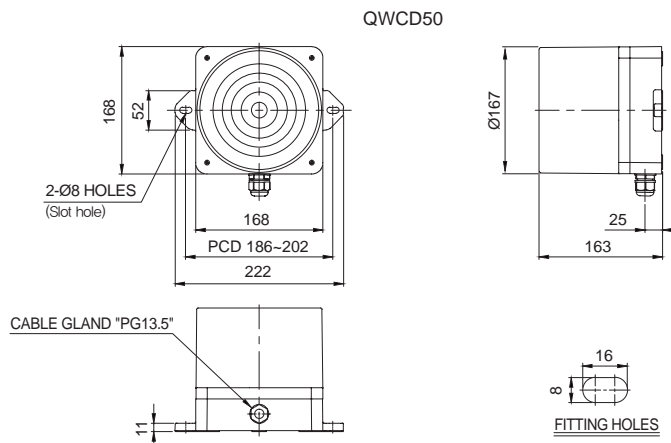


QWCD50 series



### Technical Diagram

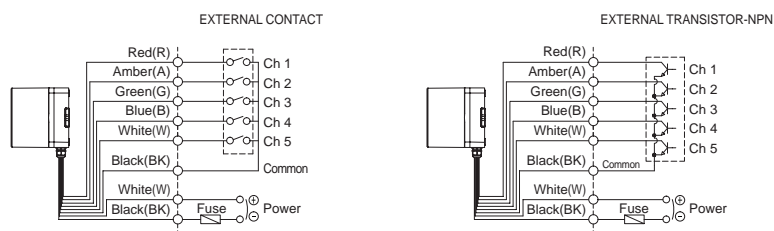
(Units : mm)



### Wiring Instructions

- Standard specification : Uses internal switches
- Customization : Uses external contact

QWCD-DC/AC



- Wiring to external contact and transistor
- Wiring to transistor, use the NPN transistor
- Power line standard UL1015 AWG18(0.75sq)×2C 400mm
- Signal line standard UL1007 AWG22(0.3sq) 400mm
- DC type : Black output line is negative(-)
- Channel selection : Bit input, 5 sound tones for each group
- Binary input 31 sound tones output

\* Please refer to Page 146 for set of channel input.  
(If wiring is changed by channel selection switch)



### Customization

- External sound selection line(Model number : -LC)

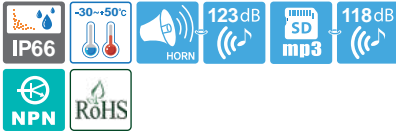


### Ordering Specification

<b>QWCD50</b>	-	<b>110/220</b>	-	<b>R</b>	-	<b>LC</b>
[Model number]		[Voltage]		[Color]		[sound selection]
<ul style="list-style-type: none"> <li>• QWCD50</li> <li>• QWCD50SD</li> </ul>		<ul style="list-style-type: none"> <li>• 12/24</li> <li>-DC12V-24V</li> <li>• 110/220</li> <li>-AC110V-220V</li> </ul>		<ul style="list-style-type: none"> <li>• R-Red</li> <li>• A-Amber</li> <li>• G-Green</li> <li>• B-Blue</li> </ul>		<ul style="list-style-type: none"> <li>• (Blank)</li> <li>-Standard type</li> <li>• LC Type</li> <li>-Uses external contact</li> </ul>

# QWCD series

## LED Strobe Signal Light and Electric Horn Combinations



- Qlight's exclusive innovative design - the horn cover emits light!
- Combination of 31 sound options built in and SD Card (MP3) option
- Allows for easy wiring with terminal box and 2 cable gland equipped



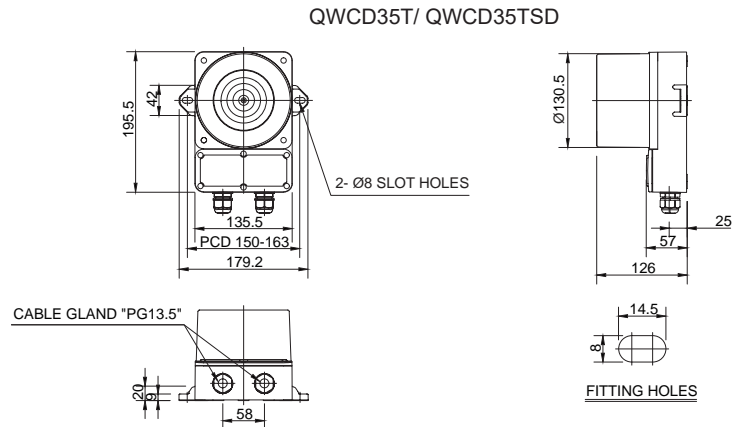
QWCD35T series

### QWCD35T Terminal Box Equipped LED Strobe Signal Light and Electric Sounder Combinations

Model number	Voltage	Current	Sound Pattern and Volume	Certificates	Weight	Color
QWCD35T Terminal box equipped type Built-in sound type	DC12V-24V	Max. 1.300A	<ul style="list-style-type: none"> <li>• Bit Input : 5Ch (SD Card)</li> <li>• Binary Input : 31Ch</li> </ul>	CE	1.30kg	<ul style="list-style-type: none"> <li>• R-Red</li> <li>• A-Amber</li> <li>• G-Green</li> <li>• B-Blue</li> </ul>
	AC110V-220V	Max. 0.350A				
QWCD35TSD Terminal box equipped type MP3	DC12V-24V	Max. 1.200A	<ul style="list-style-type: none"> <li>• Warning Sounds: 115dB</li> <li>• MP3 Messages : 113dB</li> </ul>	CE	1.35kg	<ul style="list-style-type: none"> <li>• R-Red</li> <li>• A-Amber</li> <li>• G-Green</li> <li>• B-Blue</li> </ul>
	AC110V-220V	Max. 0.310A				

※ DC type model has a free-voltage range of 10V-30V.  
 ※ AC type model has a free-voltage range of 100V-240V.

#### Technical Diagram (Units : mm)

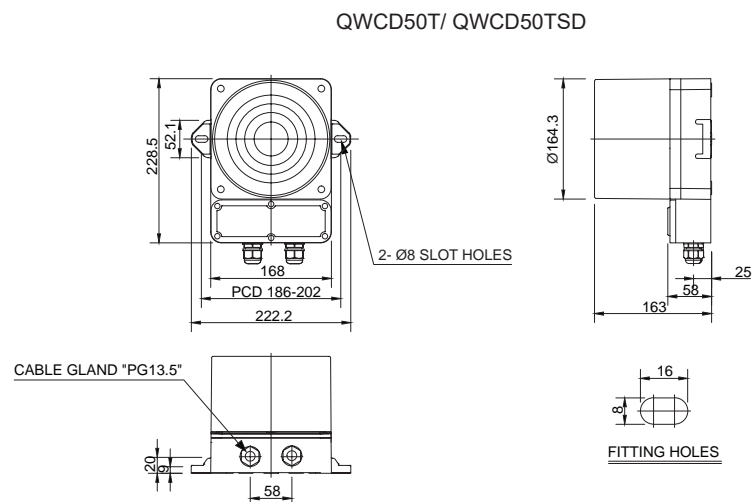


### QWCD50T Terminal Box Equipped LED Strobe Signal Light and Electric Sounder Combinations

Model number	Voltage	Current	Sound Pattern and Volume	Certificates	Weight	Color
QWCD50T Terminal box equipped type Built-in sound type	DC12V-24V	Max.5.450A	<ul style="list-style-type: none"> <li>• Bit Input : 5Ch (SD Card)</li> <li>• Binary Input : 31Ch</li> </ul>	CE	3.10kg	<ul style="list-style-type: none"> <li>• R-Red</li> <li>• A-Amber</li> <li>• G-Green</li> <li>• B-Blue</li> </ul>
	AC110V-220V	Max.0.900A				
QWCD50TSD Terminal box equipped type MP3	DC12V-24V	Max.3.800A	<ul style="list-style-type: none"> <li>• Warning Sounds: 123dB</li> <li>• MP3 Messages : 118dB</li> </ul>	CE	3.40kg	<ul style="list-style-type: none"> <li>• R-Red</li> <li>• A-Amber</li> <li>• G-Green</li> <li>• B-Blue</li> </ul>
	AC110V-220V	Max.0.720A				

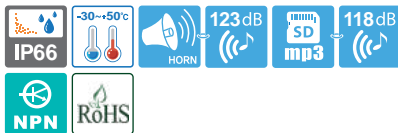
※ DC type model has a free-voltage range of 10V-30V.  
 ※ AC type model has a free-voltage range of 100V-240V.

#### Technical Diagram (Units : mm)



# QWCD series

## LED Strobe Signal Light and Electric Horn Combinations

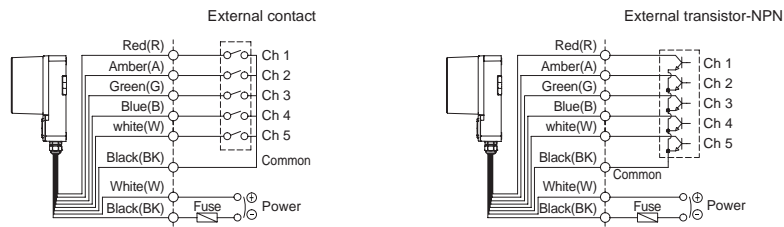


**QWCD50T series**

### Wiring Instructions

- Standard specification : Uses internal switches
- Customization : Uses external contact

QWCD35T-DC/AC



- Wiring to external contact and transistor
- Wiring to transistor, use the NPN transistor
- Power line standard UL1015 AWG18(0.75sq)×2C 400mm
- Signal line standard UL1007 AWG22(0.3sq) 400mm
- DC type : Black output line is negative(-)
- Channel selection : Bit input, 5 sound tones for each group
- Binary input 31 sound tones output

\* Please refer to Page 144 for set of channel input(If wiring is changed by channel selection switch).

### Customization

- External sound selection line(Model number : -LC)

### Ordering Specification

QWCD50T	110/220	R	LC
[Model number]	[Voltage]	[Color]	[sound selection]
<ul style="list-style-type: none"> <li>• QWCD50T</li> <li>• QWCD50TSD</li> </ul>	<ul style="list-style-type: none"> <li>• 12/24</li> <li>• -DC12V-24V</li> <li>• 110/220</li> <li>• -AC110V-220V</li> </ul>	<ul style="list-style-type: none"> <li>• R-Red</li> <li>• A-Amber</li> <li>• G-Green</li> <li>• B-Blue</li> </ul>	<ul style="list-style-type: none"> <li>• (Blank)</li> <li>• -Standard type</li> <li>• LC Type</li> <li>• -Uses external contact</li> </ul>



# SJD series

## Stackable Cube Tower Lights with Built-in Alarm



SJD

### Common Specifications(SJD/ SJDL/ SJDS)

- Cube-shaped(95×95mm) stacked tower lights and audible alarm combinations
- Lamp can be selectable among bulb revolving, LED steady/flashing, xenon strobe depending on installation environment
- 5 Warning sounds, 5 Melodies, 5 Alarms, and 5 Customizable sounds available
- WV type : Input audio message needs to be provided to us by the customer prior to manufacturing
- Multiple stacked light segments conserves space
- Standard color arrangements are as below :
  - 1 Layer : ● R-Red
  - 2 Layers : ● R-Red ● G-Green
  - 3 Layers : ● R-Red ● A-Amber ● G-Green
- Materials : Lens-AS, Body-ABS, Reflector-Heat resistant ABS
- Protection rating : IP23

### SJD Bulb Revolving Cube Tower Light

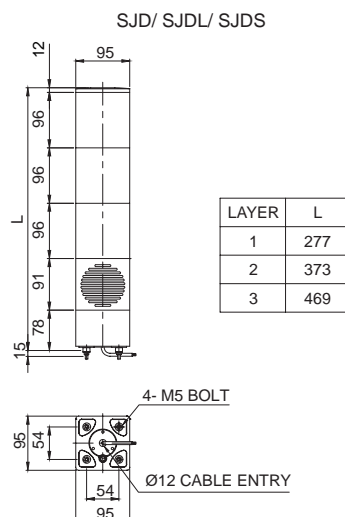
- Employs a special power transmission system that minimizes noise and wear
- Available in customized color arrangements
- Revolving speed : 120-140RPM
- Ambient operating temperature : -20°C to +50°C

Model number	layer	Voltage	Current	Bulb			Sound Pattern and Volume	Certificates	Weight	Color
				Spec	Standard	Parts no				
SJD	1	DC12V	0.751A	12V5W	T16x35 15S	5	• WS-5 warning sounds : 90dB • WM-5 Melodies : 90dB • WA-5 Alarms : 85dB • WV-5 customizable sounds : 80dB		DC-1.41kg AC-1.79kg	● R-Red
		DC24V	0.521A	24V5W	T16x35 15S	6				
		AC110V	0.164A	12V5W	T16x35 15S	5				
		AC220V	0.082A	12V5W	T16x35 15S	5				
	2	DC12V	1.235A	12V5W	T16x35 15S	5			DC-1.65kg AC-2.04kg	● R-Red ● G-Green
		DC24V	0.831A	24V5W	T16x35 15S	6				
		AC110V	0.208A	12V5W	T16x35 15S	5				
		AC220V	0.104A	12V5W	T16x35 15S	5				
	3	DC12V	1.720A	12V5W	T16x35 15S	5			DC-1.90kg AC-2.29kg	● R-Red ● A-Amber ● G-Green
		DC24V	1.141A	24V5W	T16x35 15S	6				
		AC110V	0.191A	12V5W	T16x35 15S	5				
		AC220V	0.126A	12V5W	T16x35 15S	5				

\* Please refer to page144 for detailed information about selectable sound patterns.

### Technical Diagram

(Units : mm)



# SJD series

## Stackable Cube Tower Lights with Built-in Alarm



**A variety of pre-recorded sound patterns - warning sounds, melodies and alarms**



**SJD/ SJDS**

**⚠ Do not apply a voltage to each signal line. It may cause damage to the product**

- SJD/ SJDS type can be wiring with external contact and transistor.
- Wiring to transistor, use the NPN transistor. Please wire properly based on technical diagram.
- **Bulb type SJD and xenon lamp type can not be wiring with transistor.**
- **Please use external contact.**

### Wiring Instructions

- External power line standard : UL1015 AWG18(0.75sq)×2C 400mm
- External signal line standard : UL1007 AWG22(0.3sq) 400mm
- SJD : Black output line is negative(-)

### Customization

- Customized color arrangements available

### 🔦 SJD/ SJDS LED Steady/Flashing Tower Light

- Wide diffusion lens of 96mm height provides a powerful LED signal light
- Built-in switches for steady/flashing mode
- Flashing rate : 60-80 flashes/min
- Ambient operating temperature : -30°C to +50°C

Model number	Layer	Voltage	Current	Sound Pattern and Volume	Certificates	Weight	Color		
SJD/ SJDS	1	DC12V	Max.	<ul style="list-style-type: none"> <li>• WS-5 Warning sounds : 90dB</li> <li>• WM-5 Melodies : 90dB</li> <li>• WA-5 Alarms : 85dB</li> <li>• WV- 5 Customizable sounds : 80dB</li> </ul>	-	DC-1.63kg AC-1.63kg	• R-Red		
		-24V	0.340A						
		AC110V	0.125A						
	2	DC12V	Max.			-	-	DC-1.80kg AC-1.80kg	• R-Red • G-Green
		-24V	0.490A						
		AC110V	0.140A						
	3	DC12V	Max.			-	-	DC-2.04kg AC-2.04kg	• R-Red • A-Amber • G-Green
		-24V	0.600A						
		AC110V	0.155A						
		AC220V	0.080A						

※ Please refer to page144 for detailed information about selectable sound patterns.

### 🔦 SJDS Xenon Lamp Strobe Tower Light

- Diffusion strong light offers long distance transmission of signal light
- Lamp connector fastening structure allows for convenient lamp replacement
- Flashing rate : 60-80 flashes/min
- Ambient operating temperature : -30°C to +50°C

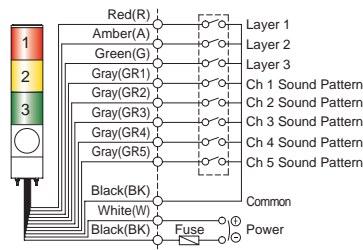
Model number	Layer	Voltage	Current	Sound Pattern and Volume	Certificates	Weight	Color		
SJDS	1	DC12V	Max.	<ul style="list-style-type: none"> <li>• WS-5 Warning sounds : 90dB</li> <li>• WM-5 Melodies : 90dB</li> <li>• WA-5 Alarms : 85dB</li> <li>• WV- 5 Customizable sounds : 80dB</li> </ul>	-	DC-1.25kg AC-1.66kg	• R-Red		
		-24V	0.990A						
		AC110V	0.195A						
	2	DC12V	Max.			-	-	DC-1.45kg AC-1.84kg	• R-Red • G-Green
		-24V	1.170A						
		AC110V	0.330A						
	3	DC12V	Max.			-	-	DC-1.64kg AC-2.03kg	• R-Red • A-Amber • G-Green
		-24V	2.435A						
		AC110V	0.465A						
		AC220V	0.350A						

※ Please refer to page144 for detailed information about selectable sound patterns.

### 🔧 Wiring Instructions

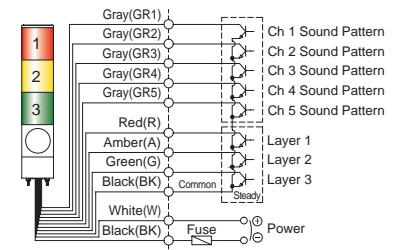
SJD/ SJDL/ SJDS-DC/AC

EXTERNAL CONTACT



SJD/ SJDS-DC/AC

EXTERNAL TRANSISTOR-NPN



### 📄 Ordering Specification

SJD	WA	3	220	RAG
[Model number]	[Sound selection]	[Layer]	[Voltage]	[Color]
<ul style="list-style-type: none"> <li>• SJD</li> <li>• SJDL</li> <li>• SJDS</li> </ul>	<ul style="list-style-type: none"> <li>• WS-Warning</li> <li>• WM-Melody</li> <li>• WA-Alarm</li> <li>• WV-Customizable sound</li> </ul>	<ul style="list-style-type: none"> <li>• 1-1Layer</li> <li>• 2-2Layers</li> <li>• 3-3Layers</li> </ul>	<ul style="list-style-type: none"> <li>• 12-DC12V</li> <li>• 24-DC24V</li> <li>• 12/24-DC12V-24V (SJD, SJDS only)</li> <li>• 110-AC110V</li> <li>• 220-AC220V</li> </ul>	<ul style="list-style-type: none"> <li>• R-Red</li> <li>• A-Amber</li> <li>• G-Green</li> </ul>

# STD series

## LED Steady/Flashing Tower light and Electric Horn Combinations



**A variety of pre-recorded sound patterns-warning sounds, melodies, and alarms**



### STD series

- STD series offers pre-recorded sounds
- For the WV(5 Customizable sounds) type, input audio messages needs to be provided by the customer prior to manufacturing



STDL is installed at Hi-Pass entrance on the expressway.

## STDL LED Steady/Flashing Tower Light & Electric Horn

- LED steady/flashing mode
- Available in customized color arrangements
- Flashing rate : 60-80 flashes/min
- Ø80mm stackable light and electric horn combination provides both audible and visual signaling capability in one unit
- Can select the proper tone from a variety of built-in sound options to fit your application needs
- WV type : Input audio messages needs to be provided by the customer prior to manufacturing
- Multiple stacked light segments conserve space
- Standard color arrangements
  - 1 Layer : ● R-Red
  - 2 Layers : ● R-Red ● G-Green
  - 3 Layers : ● R-Red ● A-Amber ● G-Green
  - 4 Layers : ● R-Red ● A-Amber ● G-Green ● B-Blue
  - 5 Layers : ● R-Red ● A-Amber ● G-Green ● B-Blue ● W-Clear White
- Materials : Lens-AS, Housing-ABS, Reflector-Heat resistant ABS
- Ambient operating temperature : -30°C to +50°C
- Protection ratings : IP54
- Certificates : CE Compliant
- Compliant with RoHS directive

### Specifications

Model number	Layer	Voltage	Current	Sound Pattern and Volume	Certificates	Weight	Color
STDL Steady STDLF Steady/ Flashing	1	DC12V	0.380A	• WS -5 Warning sounds : 105dB  • WM -5 Melodies : 105dB  • WA -5 Alarms : 103dB  • WV -5 Customizable sounds : 95dB	CE DC24V Only	DC-0.80kg AC-1.39kg	● R-Red
		DC24V	0.330A				
		AC110V	0.115A				
		AC220V	0.058A				
	2	DC12V	0.490A				
		DC24V	0.440A				
		AC110V	0.121A				
	3	AC220V	0.061A				
		DC12V	0.600A				
		DC24V	0.550A				
	4	AC110V	0.127A				
		AC220V	0.064A				
		DC12V	0.710A				
		DC24V	0.660A				
	5	AC110V	0.133A				
		AC220V	0.067A				
		DC12V	0.820A				
		DC24V	0.770A				
		AC110V	0.139A				
			AC220V			0.070A	
						DC-1.30kg AC-1.74kg	● R-Red ● A-Amber ● G-Green ● B-Blue ● W-White

※ Please refer to page144 for detailed information about selectable sound patterns.

### Customization

- Customized light sources and light mode

Model number	Lens Diameter	Lens Height	Light Mode	Tower Light Part Model
STD56EL(F)	Ø56mm	40mm	LED Steady/Flashing	ST56EL
STD56L(F)	Ø56mm	70mm	LED Steady/Flashing	ST56L
STDEL(F)	Ø80mm	40mm	LED Steady/Flashing	ST80EL

- Customized color arrangements available
- Wall mount brackets

# STD series

## LED Steady/Flashing Tower light and Electric Horn Combinations

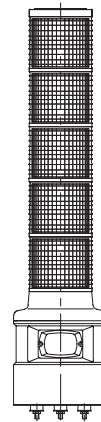


### Technical Diagram

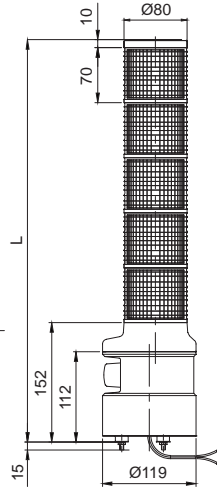
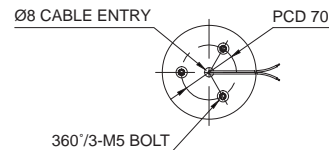
(Units : mm)



STDL/ STDLF



LAYER	L
1	232
2	302
3	372
4	442
5	512



### Wiring Instructions

- External power line standard : UL1015 AWG18(0.75sq)×2C 400mm
- External signal line standard : UL1007 AWG22(0.3sq) 400mm
- Product can be wired regardless of polarity(Non-polarity)



**Do not supply power to each signal line. It may cause damage to the product**

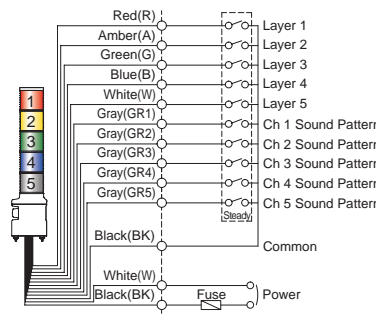
- STDL/ STDLF model wiring can be done with either external contact or external transistors.
- In case of wiring by using transistor, NPN transistor is needed and follow the wiring diagram on the right in order to wire properly.



### Wiring Instructions

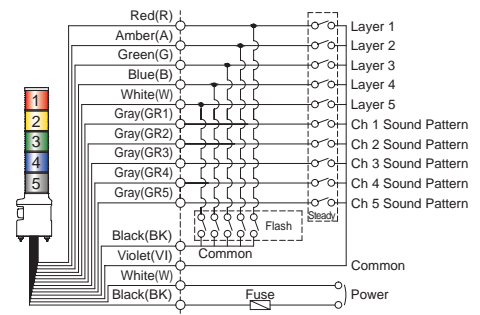
STDL-DC/AC (Steady)

EXTERNAL CONTACT



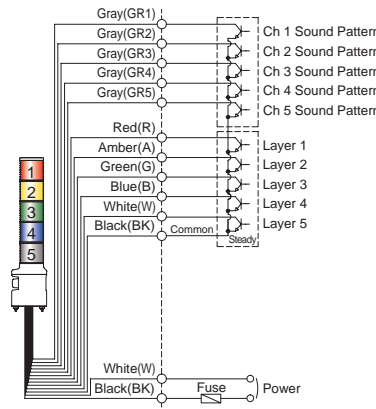
STDLF-DC/AC (Steady/Flashing)

EXTERNAL CONTACT



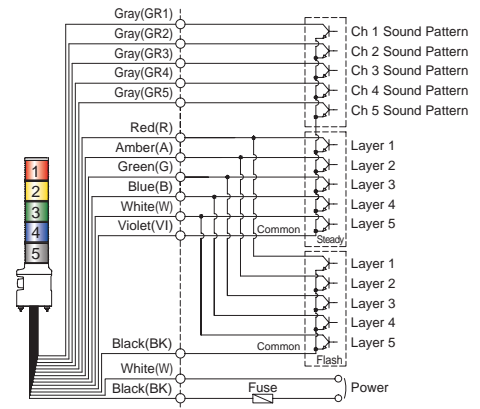
STDL-DC/AC (Steady)

EXTERNAL TRANSISTOR-NPN



STDLF-DC/AC (Steady/Flashing)

EXTERNAL TRANSISTOR-NPN

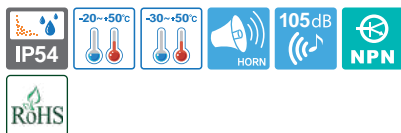


### Ordering Specification

<b>STDL</b>	-	<b>WA</b>	-	<b>3</b>	-	<b>220</b>	-	<b>RAG</b>
[Model number]		[Sound selection]		[Layer]		[Voltage]		[Color]
<ul style="list-style-type: none"> <li>• STDL</li> <li>• STDLF</li> </ul>		<ul style="list-style-type: none"> <li>• WS-Warning</li> <li>• WM-Melody</li> <li>• WA-Alarm</li> <li>• WV-Customizable sound</li> </ul>		<ul style="list-style-type: none"> <li>• 1-1Layer</li> <li>• 2-2Layers</li> <li>• 3-3Layers</li> <li>• 4-4Layers</li> <li>• 5-5Layers</li> </ul>		<ul style="list-style-type: none"> <li>• 12-DC12V</li> <li>• 24-DC24V</li> <li>• 110-AC110V</li> <li>• 220-AC220V</li> </ul>		<ul style="list-style-type: none"> <li>• R-Red</li> <li>• A-Amber</li> <li>• G-Green</li> <li>• B-Blue</li> <li>• W-White</li> </ul>



# S100D series



**Various built-in sound tones of warning sounds, alarms and melodies**



**S100DLR**



**S100DL/ S100DS**



**S100D**

## Signal/ Warning Light and Electric Horn Combinations

### Common Specifications(S100DLR/ S100DL/ S100DS/ S100D)

- Ø100mm signal/warning lights and electric horn combination provides both audible and visual signaling capability in one unit
- Can select the proper signaling effect from a variety of light sources and sound tones
- Materials : Lens-AS, Housing-ABS, Reflector-Heat resistant ABS
- Protection rating : IP54
- Compliant with RoHS directive (S100DLR/ S100DL)

### S100DLR LED Revolving Light & Electric Horn

- Revolving speed : 120-140RPM
- Ambient operating temperature : -20°C to +50°C

Model number	Voltage	Current	Sound Pattern and Volume	Certificates	Weight	Color
S100DLR	DC12V	0.483A	<ul style="list-style-type: none"> <li>• WS-5 Warning sounds : 105dB</li> <li>• WM-5 Melodies : 105dB</li> <li>• WA-5 Alarms : 103dB</li> <li>• WV-5 Customizable sounds : 95dB</li> </ul>	DC24V, AC only	0.89kg	<ul style="list-style-type: none"> <li>• R-Red</li> <li>• A-Amber</li> <li>• G-Green</li> <li>• B-Blue</li> </ul>
	DC24V	0.327A			0.89kg	
	AC110V	0.120A			1.27kg	
	AC220V	0.060A			1.27kg	

### S100DL LED Steady/Flashing Light & Electric Horn

- Flashing rate : 60-80 flashes/min  
(Built-in switch for selection between steady and flashing mode)
- Ambient operating temperature : -30°C to +50°C
- Certificates : CE Compliant

Model number	Voltage	Current	Sound Pattern and Volume	Certificates	Weight	Color
S100DL	DC12V	Max. 0.410A	<ul style="list-style-type: none"> <li>• WS-5 Warning sounds : 105dB</li> <li>• WM-5 Melodies : 105dB</li> <li>• WA-5 Alarms : 103dB</li> <li>• WV-5 Customizable sounds : 95dB</li> </ul>	DC24V, AC only	0.95kg	<ul style="list-style-type: none"> <li>• R-Red</li> <li>• A-Amber</li> <li>• G-Green</li> <li>• B-Blue</li> </ul>
	-24V				1.16kg	
	AC110V	0.115A			1.16kg	
	AC220V	0.060A			1.16kg	

### S100DS Xenon Lamp Strobe Light & Electric Horn

- Flashing rate : 60-80 flashes/min
- Ambient operating temperature : -30°C to +50°C

Model number	Voltage	Current	Sound Pattern and Volume	Certificates	Weight	Bulb	Color
S100DS	DC12V	1.330A	<ul style="list-style-type: none"> <li>• WS-5 Warning sounds : 105dB</li> <li>• WM-5 Melodies : 105dB</li> <li>• WA-5 Alarms : 103dB</li> <li>• WV-5 Customizable sounds : 95dB</li> </ul>	DC24V, AC only	0.76kg	48	<ul style="list-style-type: none"> <li>• R-Red</li> <li>• A-Amber</li> <li>• G-Green</li> <li>• B-Blue</li> </ul>
	-24V				1.21kg		
	AC110V	0.230A			1.21kg		
	AC220V	0.155A			1.21kg		

### S100D Bulb Revolving Light & Electric Horn

- Revolving Speed : 120-140RPM
- Ambient operating temperature : -20°C to +50°C
- Certificates : CE Compliant

Model number	Voltage	Current	Bulb			Sound Pattern and Volume	Certificates	Weight	Color
			Spec	Standard	Parts no				
S100D	DC12V	1.266A	12V10W	T16x35 15S	9	<ul style="list-style-type: none"> <li>• WS-5 Warning sounds : 105dB</li> <li>• WM-5 Melodies : 105dB</li> <li>• WA-5 Alarms : 103dB</li> <li>• WV-5 Customizable sounds : 95dB</li> </ul>	DC24V, AC only	0.96kg	<ul style="list-style-type: none"> <li>• R-Red</li> <li>• A-Amber</li> <li>• G-Green</li> <li>• B-Blue</li> </ul>
	DC24V	0.766A	24V10W	T16x35 15S	10			0.96kg	
	AC110V	0.187A	12V10W	T16x35 15S	9			1.38kg	
	AC220V	0.094A	12V10W	T16x35 15S	9			1.38kg	

※ Please refer to Page144 for detailed specification of sound tones.

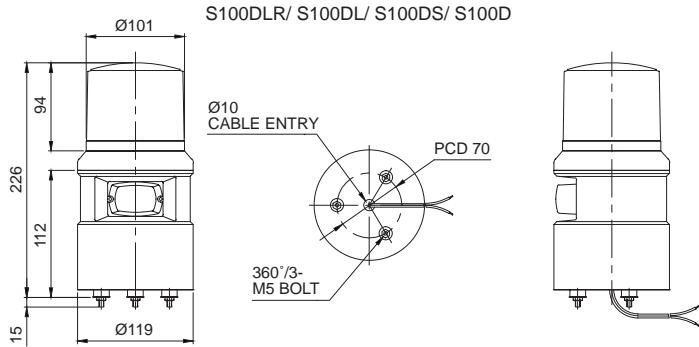
# S100D series

## Signal/ Warning Light and Electric Horn Combinations



### Technical Diagram

(Units : mm)



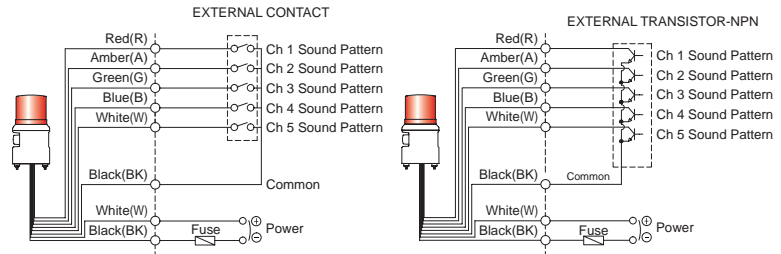
- S100D series come with prerecorded sounds.
- For WV(5Customized sounds)type, Input audio message needs to be provide by the customer prior to manufacturing.
- S100DL model wiring can be done with either external transistor wiring.
- In case of wiring by using transistor, NPN transistor is needed and follow the wiring diagram on the right in order to wire properly.



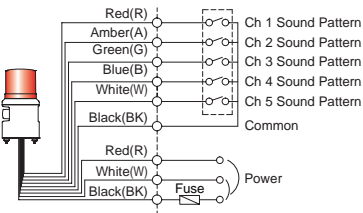
### Wiring Instructions

S100DLR/S100DL/S100DS/S100D-DC/AC

S100DL-DC/AC



S100D/S100DLR-AC compatible type



S100D applied to a metallic mold machine.

- External power line standard : UL1015 AWG18(0.75sq)×2C 400mm
- External signal line standard : UL1007 AWG22(0.3sq) 400mm
- S100D, S100DLR : Black output line is negative(-)
- AC compatible type shall be connected the black and white wires when using AC110V, and the black and red wires when using AC220V.



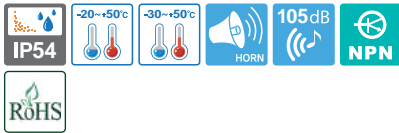
Do not apply voltage to each signal line. It may cause damage to the product.  
By default the warning light is turned on when the power is supplied, the voice/ alarm output is powered on by a separate connection. Please wire properly.



### Ordering Specification

S100D	-	WA	-	220	-	R
[Model number]		[Sound]		[Voltage]		[Color]
<ul style="list-style-type: none"> <li>• S100DLR</li> <li>• S100DL</li> <li>• S100DS</li> <li>• S100D</li> </ul>		<ul style="list-style-type: none"> <li>• WS-Warning</li> <li>• WM-Melody</li> <li>• WA-Alarm</li> <li>• WV-Customizable sound</li> </ul>		<ul style="list-style-type: none"> <li>• 12-DC12V</li> <li>• 24-DC24V</li> <li>• 12/24-DC12V-24V (S100DL, S100DS only)</li> <li>• 110-AC110V</li> <li>• 220-AC220V</li> </ul>		<ul style="list-style-type: none"> <li>• R-Red</li> <li>• A-Amber</li> <li>• G-Green</li> <li>• B-Blue</li> </ul>

# S125D series



**Various built-in sound tones of Warning sounds, Alarms and Melodies**



**S125DLR**



**S125DL/ S125DS**



**S125D**

## Signal/ Warning Light and Electric Horn Combinations

### Common Specifications(S125DLR/ S125DL/ S125DS/ S125D)

- Ø125mm signal/ warning light and electric horn combinations provides both audible and visual signaling capability in one unit
- Can select the proper signaling from a variety of light source and sound tone
- Materials : Lens-AS, Housing-ABS, Reflector-Heat resistant ABS
- Protection rating : IP54
- Compliant with RoHS directive (S125DLR/ S125DL)

### S125DLR LED Revolving Light & Electric Horn

- Revolving speed : 120-140RPM
- Ambient operating temperature : -20°C to +50°C

Model number	Voltage	Current	Sound Pattern and Volume	Certificates	Weight	Color
S125DLR	DC12V	0.483A	<ul style="list-style-type: none"> <li>• WS-5 Warning sounds : 105dB</li> <li>• WM-5 Melodies : 105dB</li> <li>• WA-5 Alarms : 103dB</li> <li>• WV-5 Customizable sounds : 95dB</li> </ul>	AC, DC24V only	0.92kg	<ul style="list-style-type: none"> <li>• R-Red</li> <li>• A-Amber</li> <li>• G-Green</li> <li>• B-Blue</li> </ul>
	DC24V	0.327A			0.92kg	
	AC110V	0.120A			1.29kg	
	AC220V	0.060A			1.29kg	

### S125DL LED Steady/Flashing Light & Electric Horn

- Flashing rate : 60-80 flashes/min  
(Built-in switch for selection between steady and flashing mode)
- Ambient operating temperature : -30°C to +50°C

Model number	Voltage	Current	Sound Pattern and Volume	Certificates	Weight	Color
S125DL	DC12V	Max. 0.520	<ul style="list-style-type: none"> <li>• WS-5 Warning sounds : 105dB</li> <li>• WM-5 Melodies : 105dB</li> <li>• WA-5 Alarms : 103dB</li> <li>• WV-5 Customizable sounds : 95dB</li> </ul>	AC, DC24V only	0.76kg	<ul style="list-style-type: none"> <li>• R-Red</li> <li>• A-Amber</li> <li>• G-Green</li> <li>• B-Blue</li> </ul>
	-24V				1.16kg	
	AC110V	0.125A			1.16kg	
	AC220V	0.065A			1.16kg	

### S125DS Xenon Lamp Strobe Light & Electric Horn

- Flashing rate : 60-80 flashes/min
- Ambient operating temperature : -30°C to +50°C

Model number	Voltage	Current	Sound Pattern and Volume	Certificates	Weight	Bulb	Color
S125DS	DC12V	Max. 1.330A	<ul style="list-style-type: none"> <li>• WS-5 Warning sounds : 105dB</li> <li>• WM-5 Melodies : 105dB</li> <li>• WA-5 Alarms : 103dB</li> <li>• WV-5 Customizable sounds : 95dB</li> </ul>	AC, DC24V only	0.78kg	48	<ul style="list-style-type: none"> <li>• R-Red</li> <li>• A-Amber</li> <li>• G-Green</li> <li>• B-Blue</li> </ul>
	-24V				1.23kg		
	AC110V	0.230A			1.23kg		
	AC220V	0.155A			1.23kg		

### S125D Bulb Revolving Light & Electric Horn

- Revolving speed : 120-140RPM
- Ambient operating temperature : -20°C to +50°C
- Certificates : CE Compliant

Model number	Voltage	Current	Bulb			Sound Pattern and Volume	Certificates	Weight	Color
			Spec	Standard	Parts no				
S125D	DC12V	1.266A	12V10W	T16x35 15S	9	<ul style="list-style-type: none"> <li>• WS-5 Warning sounds : 105dB</li> <li>• WM-5 Melodies : 105dB</li> <li>• WA-5 Alarms : 103dB</li> <li>• WV-5 Customizable sounds : 95dB</li> </ul>	AC, DC24V only	1.00kg	<ul style="list-style-type: none"> <li>• R-Red</li> <li>• A-Amber</li> <li>• G-Green</li> <li>• B-Blue</li> </ul>
	DC24V	0.766A	24V10W	T16x35 15S	10			1.00kg	
	AC110V	0.187A	12V10W	T16x35 15S	9			1.41kg	
	AC220V	0.094A	12V10W	T16x35 15S	9			1.41kg	

※ Please refer to Page144 for detailed specification of sound tones.

# S125D series

## Signal/ Warning Light and Electric Horn Combinations

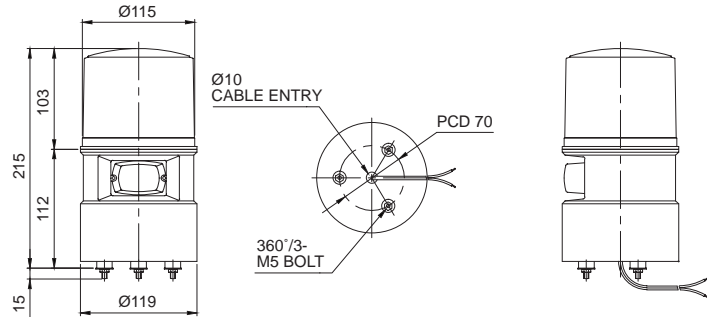


### Technical Diagram

(Units : mm)



S125DLR/ S125DL/ S125DS/ S125D



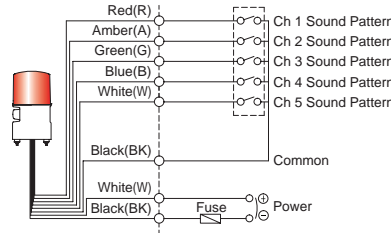
- S125D series comes with prerecorded sounds.
- For WV(5Customized Sounds)type, Input audio message needs to be provide by the customer prior to manufacturing.
- S125DL model wiring can be done with either external contact or external transistors.
- In case of wiring by using transistor, NPN transistor is needed and follow the wiring diagram on the right in order to wire properly.



### Wiring Instructions

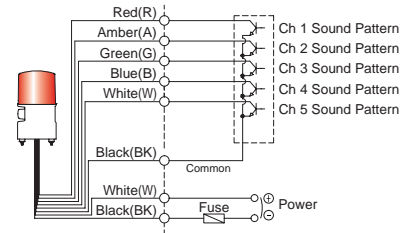
S125DLR/S125DL/S125DS/S125D-DC/AC

EXTERNAL CONTACT

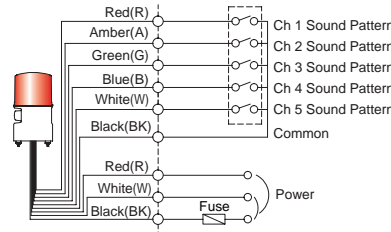


S125DL-DC/AC

EXTERNAL TRANSISTOR-NPN



S125D/S125DLR-AC compatible type



S125D is applied to a large press machine control panel.

- External power line standard : UL1015 AWG18(0.75sq)×2C 400mm
- External signal line standard : UL1007 AWG22(03sq) 400mm
- S125D, S125DLR : Black output line is Negative(-)
- AC compatible type shall be connected the black and white wires when using AC110V, and the black and red wires when using AC220V.



Do not apply voltage to each signal line. It may cause damage to the product.  
By default the warning light is turned on when the power is supplied, the voice/ alarm output is powered on by a separate connection. Please wire properly.



### Ordering Specification

S125D	-	WA	-	220	-	R
[Model number]		[Sound selection]		[Voltage]		[Color]
<ul style="list-style-type: none"> <li>• S125DLR</li> <li>• S125DL</li> <li>• S125DS</li> <li>• S125D</li> </ul>		<ul style="list-style-type: none"> <li>• WS-Warning</li> <li>• WM-Melody</li> <li>• WA-Alarm</li> <li>• WV-Customizable sound</li> </ul>		<ul style="list-style-type: none"> <li>• 12-DC12V</li> <li>• 24-DC24V</li> <li>• 12/24-DC12V-24V (S125DL, S125DS only)</li> <li>• 110-AC110V</li> <li>• 220-AC220V</li> </ul>		<ul style="list-style-type: none"> <li>• R-Red</li> <li>• A-Amber</li> <li>• G-Green</li> <li>• B-Blue</li> </ul>



# S125DML

## Versatile Signal/ Warning Lights with Built-in Buzzer



### Multifunctional LED beacon with built-in signal sound



**S125DML**

- S125DML series comes with prerecorded sounds.
- For WV(5Customized Sounds)type, Input audio message needs to be provide by the customer prior to manufacturing.
- S125DML model wiring can be done with either external contact or external transistors.
- In case of wiring by using transistor, NPN transistor is needed and follow the wiring diagram on the right in order to wire properly.



S125DML is applied to a large press machine control panel.

### Specifications

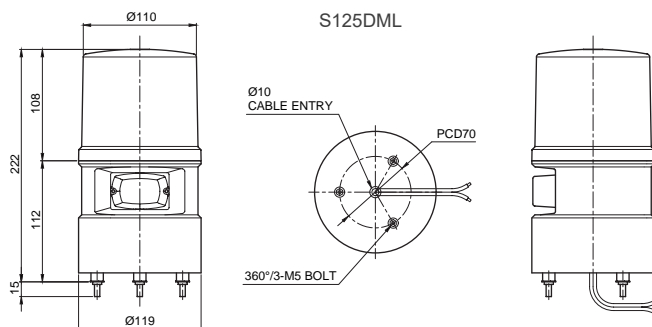
- 125mm outer diameter signal beacon/indicator and electronic horn combined structure to transmit visual and audio signals simultaneously
- Various light sources and tones allow you to select the signal that best suits your working environment
- Models with complex functions of LED steady/flash, strobe and rotation flashing
- Select the desired operation through the switch inside the device
- Easy to maintain and manage by adopting an LED light source that is resistant to shock and vibration and has a long life LED
- Flashing rate: 60-80/min
- Strobe rate: 70-80/min
- Rotation flashing type Rotation speed: 120-140RPM
- Material: Lens-AS, Body-ABS
- Ambient operating temperature : -30°C to +50°C
- Protection class: IP54

Model number	Voltage	Current	Sound Pattern and Volume	Certificates	Weight	Color
S125DML	DC12V -24V	Max. 0.400A	• WS-5 Warning sounds : 105dB • WM-5 Melodies : 105dB • WA-5 Alarms : 103dB • WV-5 Customizable sounds : 95dB	-	0.88kg	• R-Red • A-Amber • G-Green • B-Blue
	AC110V -220V	Max. 0.140A			0.93kg	



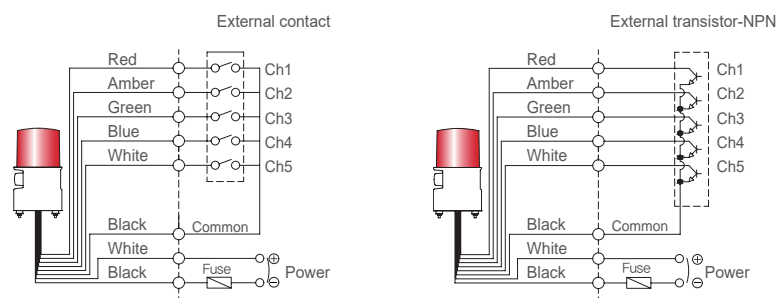
### Technical Diagram

(Units : mm)



### Wiring Instructions

#### S125DML-DC/AC



- External power line standard : UL1015 AWG18(0.75sq)×2C 400mm
- External signal line standard : UL1007 AWG22(03sq) 400mm



### Ordering Specification

<b>S125DML</b>	-	<b>WA</b>	-	<b>12/24</b>	-	<b>A</b>
[Model number]		[Sound]		[Voltage]		[Color]
• S125DML		• WS-Warning • WM-Melody • WA-Alarm • WV-Customizable sound		• 12/24-DC12V-24V • 110/220-AC110V- 220V		• R-Red • A-Amber • G-Green • B-Blue

# STND series

Versatile Signal/ Warning Lights with Built-in Buzzer

## Warning lights with electric horn supports 30 prerecorded, 30 user defined sound tones(MP3)

- 6 Bit input, 5 sound tones for each group
- Binary input 30 sound tones output
- SD Card(MP3) support

### • Sound Tone Selection & Volume Control

STND series is a combination of warning light and signal horn that allows sound tone selection and volume control through a built-in control panel. In addition, it supports MP3 through an SD Card.

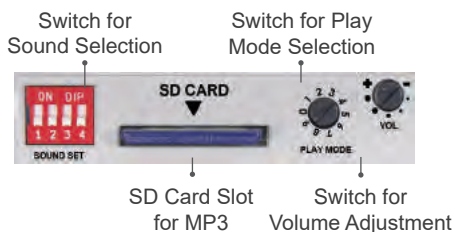


### Common Specifications(STNDL/ STND100/ STND125)

- Combination of warning light and horn allows transmission of both visual and audible signals together
- Appropriate sound tones can be chosen depending on the various working environments among the various type of available sound tones
- Sound tone selector and volume controller in front of the device allows convenient use
- SD Card type allows user defined sound tone
- Built-in 30 sound tones, support binary and bit input modes
- Bit input mode consists of 5 sound types with 6 groups. Choose one of the groups to play 5 sounds from that group.(MP3 is separate from the 6 groups)
- Materials : Lens-AS, Housing-ABS, Reflector-Heat resistant ABS
- Ambient operating temperature
  - 20°C to +50°C : STND100LR, STND100R, STND125LR, STND125R
  - 30°C to +50°C : STNDL, STND100L, STND125L
- Protection rating : IP54

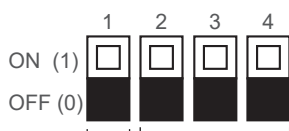
### Multifunctional Type

#### • Features



#### • Sound Setup Switch

You can select between pre-recorded sound mode and SD Card sound (MP3) mode with the SOUND selection switch.



#### Group Choice in Bit Input Mode

- 001 : WS (5 Warning sounds)
- 010 : WP (5 special warning sounds 1<sup>st</sup> group)
- 011 : WM (5 Melodies)
- 100 : WA (5 Alarms)
- 101 : WO (5 special warning sounds 2<sup>nd</sup> group)
- 110 : WN (5 special warning sounds 3<sup>rd</sup> group)

#### Sound Selection

- 0 : Built-in sound
- 1 : SD Card(MP3)

- Built-in sounds(5WS, 5WP, 5WM, 5WA, 5WO and 5WN)
- Support SD Card(MP3)
- Binary Input : 30Ch
- Bit input : 5Ch(6 groups)
- Support MP3 format through SD Card
- Detailed instructions for multi-functional products are shown on page 148

### Built-in sounds 30

Multi-functional product has 30 built-in sound tones

Sound	Category	Ch	Sound Tone	Sound	Category	Ch	Sound Tone
WS	5 Warning sounds	Ch1	Fire.A-ANG	WA	5 Alarms	Ch1	Beep Intermittent
		Ch2	Emergency WA-U(Yelp)			Ch2	Door Chime
		Ch3	Ambulance PI-PO(Hi- low)			Ch3	Phone Ring
		Ch4	Machinery Fault			Ch4	PI.PI.PI Short
		Ch5	Form Alarm			Ch5	Tripping Beat
WP	5 special warning sounds (1 <sup>st</sup> group)	Ch1	Fire.A-ANG	WO	5 special warning sounds (2 <sup>nd</sup> group)	Ch1	Rel rel rel
		Ch2	Abandon Alarm			Ch2	Slow Ambulance PI-PO
		Ch3	Machinery Fault			Ch3	Wye yong Wye yong
		Ch4	High Expansion			Ch4	Phone ring 2
		Ch5	7 Short PI. / 1 Long			Ch5	Fire.A-ANG
WM	5 Melodies	Ch1	Sweet Home	WN	5 special warning sounds (3 <sup>rd</sup> group)	Ch1	Oit Oit
		Ch2	For Elise			Ch2	Pi o Pi o
		Ch3	Cuckoo's Waltz			Ch3	Slow Di o Di o
		Ch4	Piano Sonata			Ch4	Li long Li ling
		Ch5	Turkish March			Ch5	911 Siren

### User-defined sound (MP3)

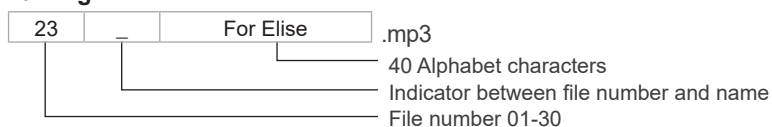
#### User-defined sound(MP3) type



Customer can create a playlist and grouping conveniently through PC. Product supports up to 32Gbyte. SD Card is an optional item.

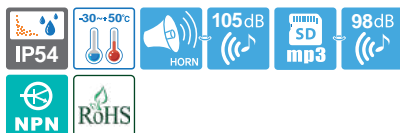
\*SD Card needs to be purchased.

#### MP3 file naming



# STND series

## Multifunctional Signal/ Warning Lights with Built-in Buzzer



STND series

### STNDL LED Steady/Flashing Lights & Electric Horn

- Lens colors are interchangeable
- Certificates : CE Compliant
- Compliant with RoHS directive

Model number	layer	Voltage	Current	Sound Pattern and Volume	Certificates	Weight	Color
STNDL Steady STNDLF Steady/ Flashing	1	DC12V	0.465A	<ul style="list-style-type: none"> <li>• WS-Warning sound</li> <li>• WP-Special warning sound 1<sup>st</sup> group</li> <li>• WM-Melody</li> <li>• WA-Alarm</li> <li>• WO-Special warning sound 2<sup>nd</sup> group</li> <li>• WN-Special warning sound 3<sup>rd</sup> group</li> <li>• SD Card-MP3 Volume : 105dB</li> <li>• Bit input : 5Ch</li> <li>• Binary Input : 30Ch</li> <li>• Warning sound : 105dB</li> <li>• MP3 : 98dB</li> </ul>	CE AC, DC24V only	DC-1.19kg AC-1.58kg	• R-Red
		DC24V	0.465A				
		AC110V -220V	Max. 0.170A				
	2	DC12V	0.590A			DC-1.43kg AC-1.82kg	• R-Red • G-Green
		DC24V	0.530A				
		AC110V -220V	Max. 0.205A				
	3	DC12V	0.675A			DC-1.67kg AC-2.06kg	• R-Red • A-Amber • G-Green
		DC24V	0.590A				
		AC110V -220V	Max. 0.230A				
	4	DC12V	0.785A			DC-1.91kg AC-2.30kg	• R-Red • A-Amber • G-Green • B-Blue
		DC24V	0.645A				
		AC110V -220V	Max. 0.255A				
	5	DC12V	0.870A			DC-2.15kg AC-2.54kg	• R-Red • A-Amber • G-Green • B-Blue • W-White
		DC24V	0.710A				
		AC110V -220V	Max. 0.285A				



STND series has a front control panel for convenient sound signal control.

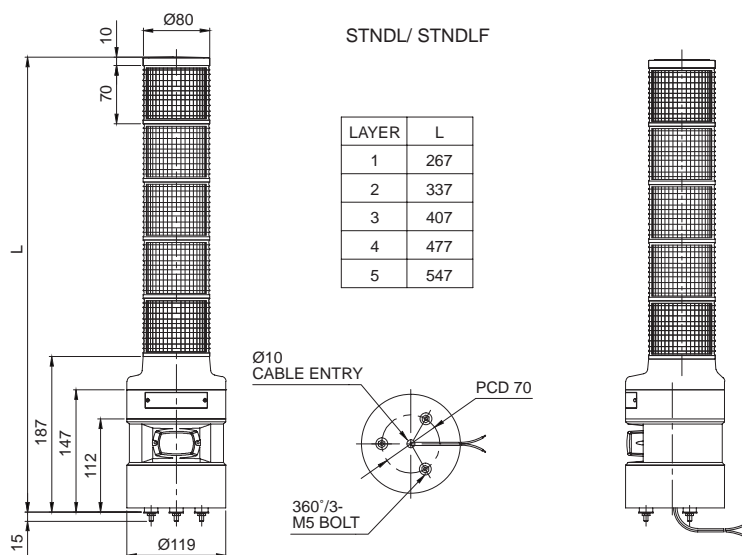
#### Wiring Instructions

- External power line standard, UL1015 AWG18(0.75sq)×2C 400mm
- Signal line standard, UL1007 AWG22(0.3sq) 400mm
- Product can be wired regardless of polarity

※ Please refer to page 105 for detailed wiring information.

#### Technical Diagram

(Units : mm)



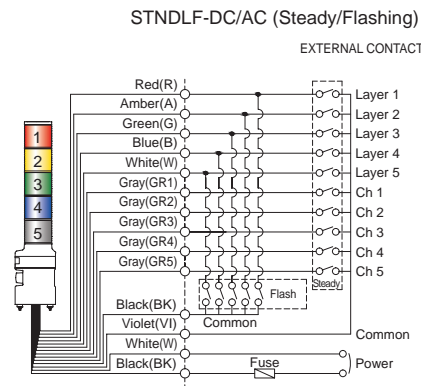
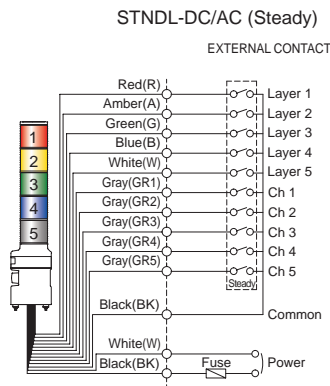
#### Ordering Specification

<b>STNDL</b>	-	<b>3</b>	-	<b>24</b>	-	<b>RAG</b>
[Model number]		[Layer]		[Voltage]		[Color]
• STNDL • STNDLF		• 1-1Layer • 2-2Layers • 3-3Layers • 4-4Layers • 5-5Layers		• 12-DC12V • 24-DC24V • 110/220-AC110V-220V		• R-Red • A-Amber • G-Green • B-Blue • W-White

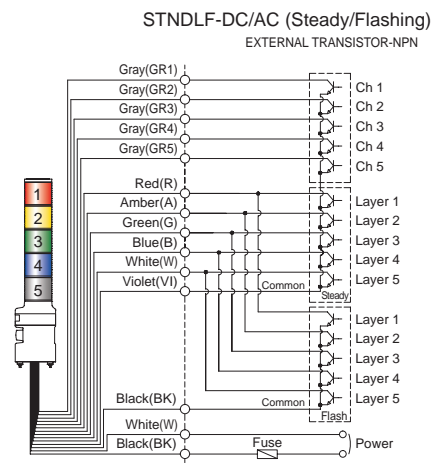
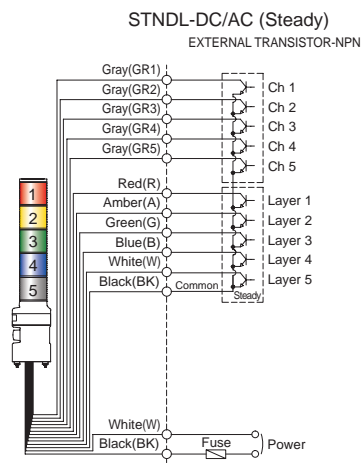


### Wiring Instructions

#### External contact



#### Transistor



- Product can be wired regardless of polarity.
- In case of Bit input, 5 sound tones can be played. For Binary input, 30 sound tones can be played.
- ※ Please refer to page 142 for detailed channel input instruction. (Wiring Instructions substitutes for channel selection switch)



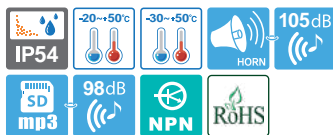
**Do not apply power into each signal line. Product may be damaged**

- NPN transistor(non-external contact control) can be enabled by using the flashing common line for the light source.
- Each unit's light source and signal sound do not operate identically even though multiple units are working at the same time.
- Do not short-circuit between steady common and flash common. Signal light won't work properly.



# STND series

## Multifunctional Signal/ Warning Lights with Built-in Buzzer



- 6 Bit input, 5 sound tones for each group
- Binary input 30 sound tones output
- SD Card(MP3) support



STND100LR



STND100L



STND100R

### STND100LR LED Revolving Signal Light & Electric Horn Combination

- Excellent omni-directional visibility with LED light collecting system and special multifaceted reflector
- Revolving speed : 120-140RPM
- Compliant with RoHS directive

Model number	Voltage	Current	Sound Pattern and Volume	Certificates	Weight	Color
STND100LR	DC12V	0.445A	<ul style="list-style-type: none"> <li>• Bit input : 5Ch</li> <li>• Binary Input : 30Ch</li> <li>• Warning sound : 105dB</li> <li>• MP3 : 98dB</li> </ul>	DC24V only	1.40kg	<ul style="list-style-type: none"> <li>• R-Red</li> <li>• A-Amber</li> <li>• G-Green</li> <li>• B-Blue</li> </ul>
	DC24V	0.450A			1.40kg	
	AC110V -220V	Max. 0.170A			1.62kg	

### STND100L LED Steady/Flashing Signal Light & Electric Horn Combination

- Excellent visibility that employs a special scattering lens
- Flashing rate : 60-80 flashes/min(Built-in switch for selection between steady and flashing mode)
- Certificates : CE Compliant, UL Listed
- Compliant with RoHS directive

Model number	Voltage	Current	Sound Pattern and Volume	Certificates	Weight	Color
STND100L	DC12V -24V	Max. 0.485A	<ul style="list-style-type: none"> <li>• Bit input : 5Ch</li> <li>• Binary Input : 30Ch</li> <li>• Warning sound : 105dB</li> <li>• MP3 : 98dB</li> </ul>	DC24V only	1.37kg	<ul style="list-style-type: none"> <li>• R-Red</li> <li>• A-Amber</li> <li>• G-Green</li> <li>• B-Blue</li> </ul>
	AC110V -220V	Max. 0.190A			1.78kg	

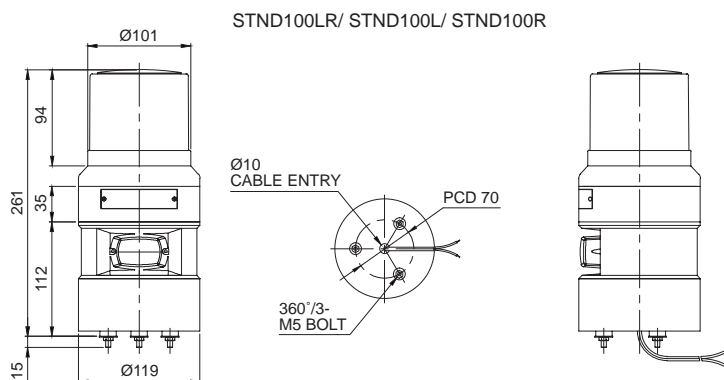
### STND100R Bulb Revolving Signal Light & Electric Horn Combination

- Revolving speed : 120-140RPM

Model number	Voltage	Current	Bulb			Sound Pattern and Volume	Certificates	Weight	Color
			Spec	Standard	Parts no				
STND100R	DC12V	1.130A	12V10W	T16x35 15S	9	<ul style="list-style-type: none"> <li>• Bit Input : 5Ch</li> <li>• Binary Input : 30Ch</li> <li>• Warning sound : 105dB</li> <li>• MP3:98dB</li> </ul>	DC24V only	1.57kg	<ul style="list-style-type: none"> <li>• R-Red</li> <li>• A-Amber</li> <li>• G-Green</li> <li>• B-Blue</li> </ul>
	DC24V	0.865A	24V10W	T16x35 15S	10			1.57kg	
	AC110V -220V	Max. 0.350A	24V10W	T16x35 15S	10			1.82kg	

### Technical Diagram

(Units : mm)

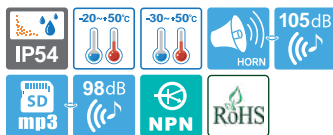


### Ordering Specification

STND100LR	-	24	-	R
[Model number]		[Voltage]		[Color]
<ul style="list-style-type: none"> <li>• STND100LR</li> <li>• STND100L</li> <li>• STND100R</li> </ul>		<ul style="list-style-type: none"> <li>• 12-DC12V</li> <li>• 24-DC24V</li> <li>• 12/24-DC12V-24V (STND 100L only)</li> <li>• 110/220-AC110V-220V</li> </ul>		<ul style="list-style-type: none"> <li>• R-Red</li> <li>• A-Amber</li> <li>• G-Green</li> <li>• B-Blue</li> </ul>

# STND series

## Multifunctional Signal/ Warning Lights with Built-in Buzzer



- 6 Bit input, 5 sound tones for each group
- Binary input 30 sound tones output
- SD Card(MP3) support

### STND125LR LED Revolving Signal Light & Electric Horn Combination

- Excellent omni-directional visibility with LED light collecting system and special multifaceted reflector
- Revolving speed : 120-140RPM
- Compliant with RoHS directive

Model number	Voltage	Current	Sound Pattern and Volume	Certificates	Weight	Color
STND125LR	DC12V	0.630A	<ul style="list-style-type: none"> <li>• Bit input : 5Ch</li> <li>• Binary Input : 30Ch</li> <li>• Warning sound : 105dB</li> <li>• MP3 : 98dB</li> </ul>	DC24V only	1.35kg	<ul style="list-style-type: none"> <li>• R-Red</li> <li>• A-Amber</li> <li>• G-Green</li> <li>• B-Blue</li> </ul>
	DC24V	0.540A			1.35kg	
	AC110V -220V	Max. 0.210A			1.73kg	

### STND125L LED Steady/Flashing Signal Light & Electric Horn Combination

- Excellent visibility that employs a special scattering lens
- Flashing rate : 60-80 flashes/min(Built-in switch for selection between steady and flashing mode)
- Certificates : CE Compliant
- Compliant with RoHS directive

Model number	Voltage	Current	Sound Pattern and Volume	Certificates	Weight	Color
STND125L	DC12V -24V	Max. 0.565A	<ul style="list-style-type: none"> <li>• Bit input : 5Ch</li> <li>• Binary Input : 30Ch</li> <li>• Warning sound : 105dB</li> <li>• MP3 : 98dB</li> </ul>	DC24V only DC24V only	1.32kg	<ul style="list-style-type: none"> <li>• R-Red</li> <li>• A-Amber</li> <li>• G-Green</li> <li>• B-Blue</li> </ul>
	AC110V -220V	Max. 0.210A			1.65kg	

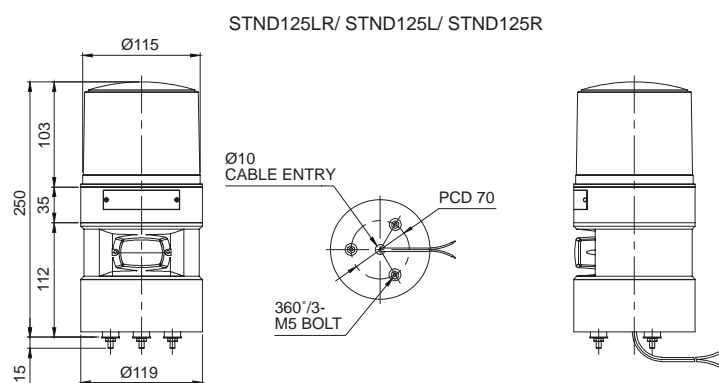
### STND125R Bulb Revolving Signal Light & Electric Horn Combination

- Revolving speed : 120-140RPM

Model number	Voltage	Current	Bulb			Sound Pattern and Volume	Certificates	Weight	Color
			Spec	Standard	Parts no				
STND125R	DC12V	1.115A	12V10W	T16x35 15S	9	<ul style="list-style-type: none"> <li>• Bit Input : 5Ch</li> <li>• Binary Input : 30Ch</li> <li>• Warning sound : 105dB</li> <li>• MP3:98dB</li> </ul>	DC24V only	1.27kg	<ul style="list-style-type: none"> <li>• R-Red</li> <li>• A-Amber</li> <li>• G-Green</li> <li>• B-Blue</li> </ul>
	DC24V	0.865A	24V10W	T16x35 15S	10			1.27kg	
	AC110V -220V	Max. 0.350A	24V10W	T16x35 15S	10			1.62kg	

### Technical Diagram

(Units : mm)



### Ordering Specification

<b>STND125LR</b>	-	<b>24</b>	-	<b>R</b>
[Model number]		[Voltage]		[Color]
<ul style="list-style-type: none"> <li>• STND125LR</li> <li>• STND125L</li> <li>• STND125R</li> </ul>		<ul style="list-style-type: none"> <li>• 12-DC12V</li> <li>• 24-DC24V</li> <li>• 12/24-DC12V-24V (STND125L only)</li> <li>• 110/220-AC110V-220V</li> </ul>		<ul style="list-style-type: none"> <li>• R-Red</li> <li>• A-Amber</li> <li>• G-Green</li> <li>• B-Blue</li> </ul>



STND125LR



STND125L



STND125R

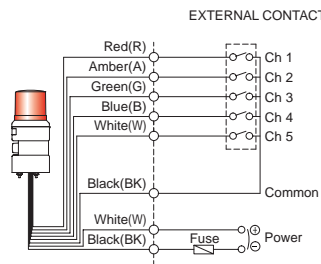
# STND series

## Multifunctional Signal/ Warning Lights with Built-in Buzzer

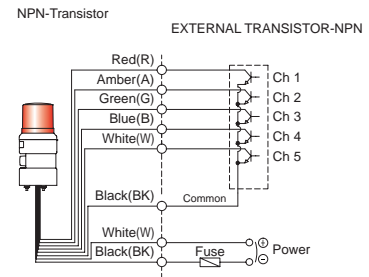


### Wiring Instructions

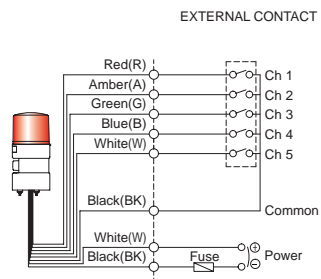
STND100R/STND100L/STND100LR-DC/AC



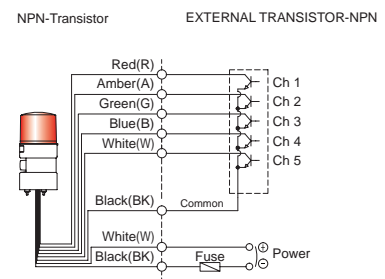
STND100L-DC/AC



STND125R/STND125L/STND125LR-DC/AC



STND125L-DC/AC



- In case of 6 Bits input, 5 sound tones can be played. For Binary input, 30 sound tones can be played.
- STND100R, STND100LR, STND125R, STND125LR : Black output line is Negative(-)
- ※ Detailed instructions for multi-functional products are shown on page 140. (Wiring Instructions substitutes for channel selection switch)



**Do not apply power into each signal line. Product may be damaged**

- NPN transistor(non-external contact control) can be enabled by using the flashing common line for the light source.
- Each unit's light source and signal sound do not operate identically even though multiple units are working at the same time.
- Do not short-circuit between steady common and flash common. Signal light won't work properly.





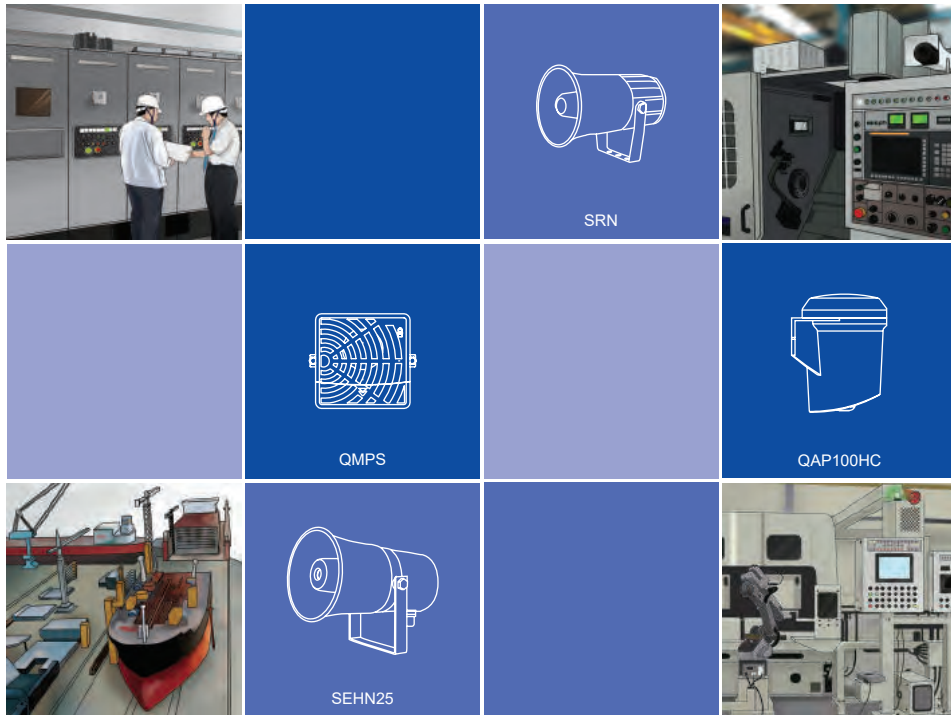
Qlight



CATALOGUE

# Electric Horns/ Speakers






































INNOVATION IN ALARM & SIGNAL

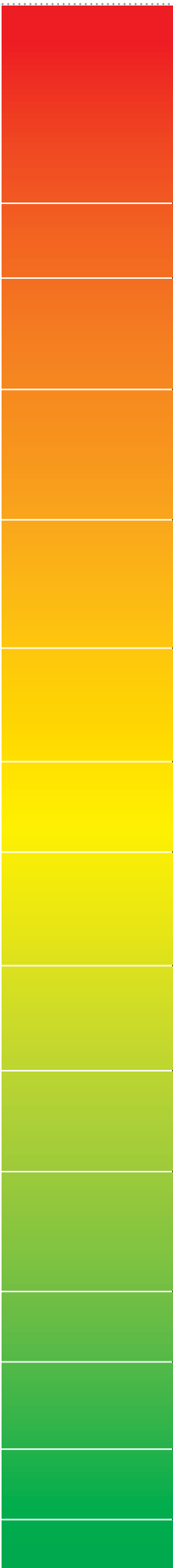


Quick reference of volume .....	112
Technical information .....	114
References .....	115
Product specifications .....	118

# Product Volume Quick Reference Guide

Qlight provides a wide range of audible products between 85dB – 130dB. Please take a look at the Product Volume Quick Reference Guide for the sound level of each of our audible products.

					130dB	
					123dB	
					120dB	
					118dB	
						115dB
					110dB	
					108dB	
					105dB	
					100dB	
					95dB	
					90dB	
					85dB	



Air plane - 140dB

130dB Air Horn(SANA series)

123dB Motor Siren(SM400)  
Multifunctional Electric Horn(SMP50)  
Special Warning Electric Signal Horn(QWH50)

120dB Motor Siren(SM200)  
Heavy-Duty Electric Horn  
(SEHN50, SEWN50L, SEWN50-2T, SEWN50E)



Rock Concert - 120dB

118dB Explosion proof Electric Horn(SPNA)  
Heavy-Duty Electric Horn(SEWN30E)  
Full Duplex Heavy-Duty Electric Horn(SHDN30)

115dB Motor Siren(SM40), Heavy-Duty Electric Horn(SEHN25)  
Electric Signal Horn(SEN25)  
Multifunctional Electric Horn(SMP35, QAP125HC)  
Special Warning Electric Horn(QWH35)



Vehicle Horn - 100-110dB

110dB Motor Siren(SM30)

108dB Electric Horn(SEN15)  
Electric Horn(SRN)

105dB Electric Signal Horn(SN)  
Wall Mount High Sound Buzzer Horn  
(QAP80BZC, QAP100BZC, QAP125BZC)

100dB Multifunctional Panel Type Speaker(QMPS)  
Wall Mount High Sound Buzzer Horn(S60ADH)  
Multifunctional Electric Horn(QAP80HC, QAP100HC)



Plant / Train - 100dB

95dB Electric Horn(SN-1)  
Lamp Attached Alarm Bell(SAB130, SAB200)  
Explosion proof Alarm Bell(SBE130, SBE150)

90dB

85dB Panel Type Speaker(SPK)



Vacuum Cleaner - 80dB

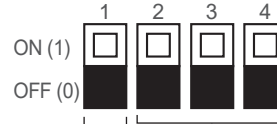
# Technical Information for Multifunctional Electric Horns/ Speakers



## What is Multifunctional Electric Horn/ Speaker?

1. Multifunctional electric horn/ speaker is a versatile horn which is able to play built-in 30 sound tones as well as MP3 file from SDCard.
2. User can designate the sound tone in the SDCard through a PC.

### 1 Sound setting switch



#### Bit input mode selection from 6 groups

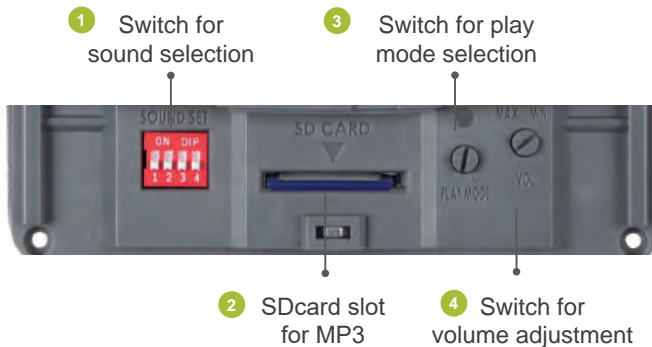
- 001: WS(5 Warning sounds)
- 010: WP(5 Special warning sounds 1<sup>st</sup> group)
- 011: WM(5 Melodies)
- 100: WA(5 Alarms)
- 101: WO(5 Special warning sounds 2<sup>nd</sup> group)
- 110: WN(5 Special warning sounds 3<sup>rd</sup> group)

#### Selection between pre-recorded sound mode and SDCard sound mode

- 0: Pre-recorded sound mode
- 1: SDCard sound mode

- Switch No1. allows user to choose the option between Pre-Recorded sound and sound from the SDCard.
- Switch No.2 – 4 allows user to choose 1 group of 6 in the case of bit input mode.

## ■ Features



### 2 SDCards

- The SDCard is a compact flash memory card for storing MP3 files.
- After saving the MP3 files in the SDCard with the specified format, insert the card into the SDCard slot and switch the sound setting switch to ON(1) so the sounds can be played from the SDCard.

### 3 PLAY MODE setting switch

- Play mode setting switch allows the user to chose the proper channel input method and playback mode. Please refer to the table below for a description of each setting switch features.
- Switch No.0 and No.9. are not used.

1	Bit Input Mode	5 sounds can be played from the selected group. (can choose 1 group among 6 groups) Play message one time and quit.(In case of Consecutive signal or pulse signal)
2	Binary Input Mode	Up to 31 sounds available for each model. Plays sound only once.(consecutive signal only)
3	Bit Input Hold Playback Mode	5 sounds can be played from the selected group. (can choose 1 group among 6 groups) The sound is repeated if the input signal is maintained.(Consecutive signal only) Sound will be suspended the STOP signal, otherwise the message is played repeatedly.
4	Binary Input Hold Playback Mode	Up to 31 sounds available for each model The sound is repeated if the input signal is maintained.(consecutive signal only) Sound will be suspended the STOP signal, otherwise the message is played repeatedly.
5	Bit Input Sound Reduction Mode	5 sounds can be played from the selected group. (can choose 1 group among 6 groups) Volume reduction signal line is able to decrease the volume by as much as 15dB.(can reduce input volume as well)
6	Binary Input Sound Reduction Mode	Up to 31 sounds available for each model Volume reduction signal line is able to decrease the volume by as much as 15dB.(can reduce input volume as well)
7	Bit Input Sequence Memory Playback Mode	5 sounds can be played from the selected group. (Can choose 1 group among 6 groups) Playback around 3 seconds for each sound in accordance with the sequence of input. Final input channel is fully played.(Bit input Mode ONLY)
8	Test Mode	In test mode, Ch1 of group is automatically played back repeatedly. Change to other modes in order to quit the test mode.

### 4 VOLUME

- Volume is adjustable with the sound dial included.



# Reference for Electric Horn/ Speaker/ Motor Siren/ Buzzer Horn/ Bell



Model number(series)	SPK	QMPS	S60ADH	QAP80H	QAP80BZ	QAP100H	QAP100BZ
Voltage	DC12V, DC24V AC110V, AC220V	DC12V-24V AC110V-220V	DC12V, DC24V AC110V, AC220V	DC12V-DC24V	DC12V, DC24V	DC12V-24V AC110V-220V	DC12V, DC24V AC110V-220V
Dimension (mm)	Diameter	80×80	120×120	Ø75	Ø83	Ø83	Ø97
	Height	-	-	158	129	129	137
	Depth	75	69	86	93	93	109
Materials	ABS	ABS	ABS	ABS	ABS	ABS	ABS
Sound & Volume	1 Tone Buzzer		Max 100dB at 1m		Max 105dB at 1m		Max 105dB at 1m
	5 Signal Sounds	Max 85dB at 1m					
	Voice						
	30 Signal Sounds		Max 98dB at 1m		Max 100dB at 1m		Max 100dB at 1m
	31 Signal Sounds						
MP3		Max 95dB at 1m				Max 95dB at 1m	
Other Sound							
Mounting structure	Panel mount	Panel mount	Wall mount	Wall mount	Wall mount	Wall mount	Wall mount
Caple entry	-	-	-	Ø10	Ø10	Ø10	Ø10
Protection rating	IP23	IP54	IP54	IP65	IP65	IP65	IP65
Certificate	CE	CE, UL	CE	CE	CE	CE	CE
Customization	-	-	Strong buzzer 105dB	-	-	-	-
Transistor	NPN type	NPN or PNP type		NPN type	-	NPN type	-
Page	P118	P121-122	P123	P125	P125	P126	P126



Model number(series)	QAP125H	QAP125BZ	SRN	SEN15	SEN25	SMP35	SMP50
Voltage	DC12V-24V AC110V-220V	DC12V, DC24V AC110V-220V	DC12V-24V AC110V, AC220V	DC12V-24V AC110V, AC220V	DC12V, DC24V AC110V, AC220V	DC12V-24V AC110V-220V	DC12V-24V AC110V-220V
Dimension (mm)	Diameter	Ø116	Ø116	Ø125	130	130	145×177
	Height	149	149	-	-	-	-
	Depth	132	132	185(Length)	200(Length)	200(Length)	216(Length)
Materials	ABS	ABS	ABS	ABS	ABS	ABS	ABS
Sound & Volume	1 Tone Buzzer		Max 105dB at 1m				
	5 Signal Sounds			Max 108dB at 1m	Max 108dB at 1m	Max 115dB at 1m	
	Voice			Max 98dB at 1m	Max 98dB at 1m	Max 108dB at 1m	
	30 Signal Sounds	Max 115dB at 1m					Max 115dB at 1m
	31 Signal Sounds						Max 123dB at 1m
MP3	Max 100dB at 1m					Max 113dB at 1m	
Other Sound						Max 118dB at 1m	
Mounting structure	Wall mount	Wall mount	Self stand	Self stand	Self stand	Self stand	Self stand
Caple entry	Ø10	Ø10	Ø10	Ø10	Ø10	Ø21	Ø21
Protection rating	IP65	IP65	IP55	IP55	IP55	IP65	IP65
Certificate	CE	CE	CE	CE	CE	CE	CE
Customization	-	-	External sound pattern signal line	External sound pattern signal line	External sound pattern signal line	External sound pattern signal line	External sound pattern signal line
Transistor	NPN type	-	NPN type	NPN type	NPN type	NPN type	NPN type
Page	P127	P127	P128	P128	P128	P130	P130

# Reference for Electric Horn/ Speaker/ Motor Siren/ Buzzer Horn/ Bell



Model number(series)	SN	SEHN25	SEHN50	SN-1	SM30	SM40
Voltage	DC12V-24V AC110V, AC220V	DC12V, DC24V AC110V, AC220V	DC12V, DC24V AC110V, AC220V	DC12V, DC24V	DC12V, DC24V AC110V, AC220V	DC12V, DC24V AC110V, AC220V
Dimension (mm)	Diameter	Ø119(Horn)	Ø158(Horn)	Ø167(Horn)	Ø135(Horn)	Ø128
	Height					
	Depth	167(Length)	238(Length)	242(Length)	140(Length)	82(Length)
Materials	Housing-Steel	Housing-Steel	Housing-Steel	Housing-Steel	Housing-Steel	Housing-ABS
Sound & Volume	1 Tone Buzzer					
	5 Signal Sounds	Max 105dB at 1m	Max 115dB at 1m	Max 120dB at 1m	-	-
	Voice	Max 95dB at 1m	Max 108dB at 1m	Max 115dB at 1m	-	-
	30 Signal Sounds					
	31 Signal Sounds					
MP3						
Other Sound	-	-	-	Max 100dB at 1m	Max 110dB at 1m	Max 116dB at 1m
Mounting structure	Self stand	Self stand	Self stand	Self stand	Self stand	Self stand
Caple entry	Ø10	Ø21	Ø21	Ø10	Ø22	Ø22
Protection rating	IP55	IP55	IP55	IP55	IP44	IP44
Certificate	-	KIMM	KIMM	-	-	-
Customization	External sound pattern signal line	External sound pattern signal line	External sound pattern signal line	-	-	-
Transistor	NPN type	NPN type	NPN type	-	-	-
Page	P135	P135	P136	P131	P137	P137



Model number(series)	QWH35	QWH50	QWH35T	QWH50T	
Voltage	DC12V-24V AC110V-220V	DC12V, DC24V AC110V-220V	DC12V-24V AC110V-220V	DC12V-24V AC110V-220V	
Dimension (mm)	Diameter	136×179	168×222	136×179	168×222
	Height	-	-	-	-
	Depth	126	163	126	163
Materials	Horn-PC Housing-PC+ABS	Horn-PC HousingPC+-ABS	Horn-PC Housing-PC+ABS	Horn-PC HousingPC+-ABS	
Sound & Volume	1 Tone Buzzer				
	5 Signal Sounds				
	Voice				
	30 Signal Sounds				
	31 Signal Sounds	Max 115dB at 1m	Max 123dB at 1m	Max 115dB at 1m	Max 123dB at 1m
MP3	Max 113dB at 1m	Max 118dB at 1m	Max 113dB at 1m	Max 118dB at 1m	
Other Sound	-	-	-	-	
Mounting structure	Wall mount	Wall mount	Wall mount	Wall mount	
Caple entry	Ø21	Ø21	Ø21	Ø21	
Protection rating	IP66	IP66	IP66	IP66	
Certificate	CE, UL	CE, UL	CE	CE	
Customization	External sound pattern signal line	External sound pattern signal line	External sound pattern signal line	External sound pattern signal line	
Transistor	NPN type	NPN type	NPN type	NPN type	
Page	P132-133	P132-133	P134	P134	

# Reference for Electric Horn/ Speaker/ Motor Siren/ Buzzer Horn/ Bell



Model number(series)	SM200	SM400	SAB130	SAB200	
Voltage	DC24V AC110V, AC220V	DC24V AC110V, AC220V	DC24V AC110V, AC220V	DC24V AC110V, AC220V	
Dimension (mm)	Diameter	Ø143	Ø165	Ø130(Bell) Ø200(Bell)	
	Height	-	-	238 269	
	Depth	231(Length)	284(Length)	107 107	
Materials	Housing-Steel	Housing-Steel	Bell-Steel Housing-ABS	Bell-Steel Housing-ABS	
Sound & Volume	1 Tone Buzzer				
	5 Signal Sounds				
	Voice				
	30 Signal Sounds				
	31 Signal Sounds	-	-	-	-
	MP3	-	-	-	-
Other Sound	Max 120dB at 1m	Max 123dB at 1m	Max 95dB at 1m	Max 95dB at 1m	
Mounting structure	Direct mount	Direct mount	Wall mount	Wall mount	
Caple entry	Ø9	Ø22	Ø26	Ø26	
Protection rating	IP44	IP44	IP56	IP56	
Certificate	CE		CE	CE	
Customization	-	-	2 way cable entries	2 way cable entries	
Transistor	-	-	-	-	
Page	P138	P138	P139	P139	



Model number(series)	SPK-CAN	SPK-IO
Voltage	DC12V-24V	DC12V-24V
Dimension (mm)	Diameter	80×80
	Height	-
	Depth	75
Materials	ABS	ABS
Sound & Volume	1 Tone Buzzer	
	5 Signal Sounds	Max 85dB at 1m
	Voice	
	30 Signal Sounds	
	31 Signal Sounds	
	MP3	
Other Sound		
Mounting structure	Panel mount	Panel mount
Caple entry	-	-
Protection rating	IP23	IP23
Certificate	CE	CE
Customization	-	-
Transistor		
Page	P119	P120

# SPK

## Panel Mounted Speaker



SPK

### SPK Max 85dB, Panel Mounted Speaker

- General compatibility by adopting general equipment (62×62mm) mount holes
- Allowing volume control without dismantling the device
- Various sound patterns such as warning sound, melodies, and alarms can be chosen depending on the message use case
- Wiring terminal on the back side of the product
- Materials : ABS
- Sound volume : Max 85dB at 1m
- Ambient operating temperature : -25°C to +50°C
- Protection rating : IP23
- Certificates : CE Compliant

Model number	Sound Type	Pre-recorded Sound			Voltage/ Current	Certificate	Weight
		Ch	Sound Pattern	dB			
SPK	WS-5 Warnings	1	Fire.A-ANG	85dB	DC12V / 0.288A DC24V / 0.155A AC110V / 0.036A AC220V / 0.018A	CE DC24V only	DC-0.19kg AC-0.21kg
		2	Emergency WA-U(Yelp)	85dB			
		3	Ambulance PI-PO(Hi-low)	85dB			
		4	Machinery Fault	85dB			
		5	High Expansion	83dB			
	WM-5 Melodies	1	Sweet Home	85dB			
		2	For Elise	85dB			
		3	Cuckoo's Waltz	85dB			
		4	Piano Sonata	85dB			
		5	Turkish March	85dB			
	WA-5 Alarms	1	Beep Intermittent	83dB			
		2	Door Chime	83dB			
		3	Phone Ring	85dB			
		4	PI.PI.PI Short	85dB			
		5	Tripping Beat	85dB			

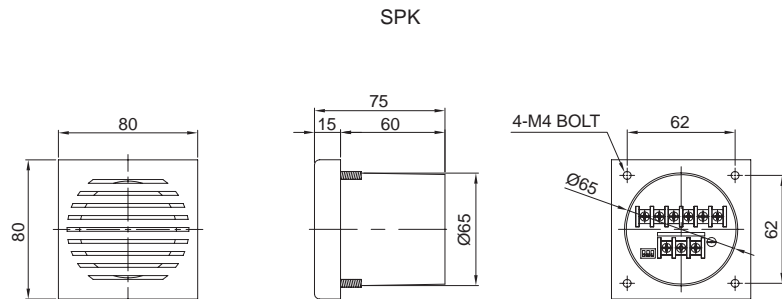


Terminal box for power and sound (back side)



### Technical Diagram

(Units : mm)

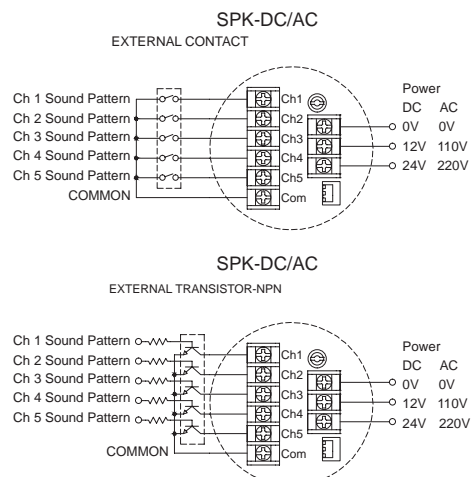


### Ordering Specification

<b>SPK</b>	-	<b>WM</b>	-	<b>220</b>
[Model number]		[Sound]		[Voltage]
• SPK		• WS-Warning • WM-Melody • WA-Alarm		• 12-DC12V • 24-DC24V • 110-AC110V • 220-AC220V



### Wiring Instructions





# SPK-CAN

## Signal phone for CAN communication panel



**SPK-CAN**

### SPK-CAN Signal phone for CAN communication panel

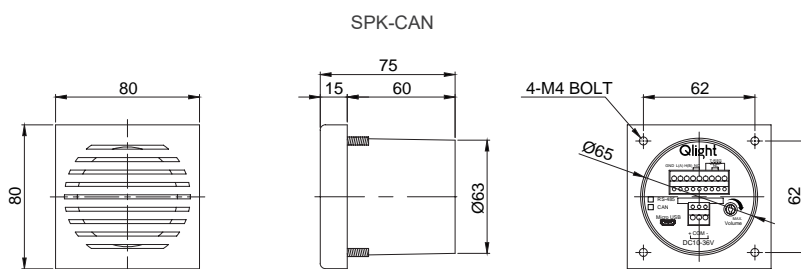
- Panel type signal phone that outputs clear and cheerful 8-48Khz MP3 Audio harmony by applying industrial CAN communication
- Up to 63ea of frame IDs can be set by software manager
- Can select and play 255 songs using CAN communication
- Save MP3 sound source using USB2.0 Micro Type B cable
- Supports 128Mbyte storage capacity (File format: FAT)
- Support CAN communication standard version 2.0A
- Certificates : CE
- Material: ABS
- Volume: Max. 85dB at 1m
- Ambient temperature: -25°C-+50°C
- Protection class: IP23

Model number	Sound Type	dB	Voltage/ Current	Certificate	Weight
SPK-CAN	MP3 File (255 Sounds) CAN protocol	Max 85dB (Based on 1KHz)	DC12-24V/0.670A	CE	0.19kg



#### Technical Diagram

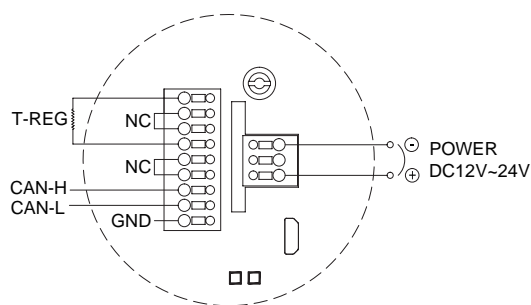
(Units : mm)



Terminal box for Signal phone for CAN communication panel (back side)



#### Wiring Instructions



#### Ordering Specification

<b>SPK-CAN</b>	-	<b>12/24</b>
[Model number]		[Voltage]
• SPK-CAN		• 12/24-DC12V-24V

# SPK-IO

## Signal phone for multi-channel panel



SPK-IO

### SPK-IO Signal phone for multi-channel panel Max.85dB

- Panel type signal phone that outputs clear and cheerful 8-48Khz MP3 Audio chords using IO input
- Compatible with NPN and PNP depending on the connection method by using the terminal block for connection on the back of the product
- Plays 255ea of MP3 files with binary input method
- Save sound source using USB2.0 Micro Type B cable
- Material: ABS
- Volume: Max. 85dB at 1m
- Ambient temperature: -25°C~+50°C
- Protection class: IP23
- Compliant with RoHS directive

Model number	Sound Type	dB	Voltage/ Current	Certificate	Weight
SPK-IO	MP3 File (255 Sounds) IO protocol	Max 85dB (Based on 1KHz)	DC12-24V/0.270A	CE	0.19kg

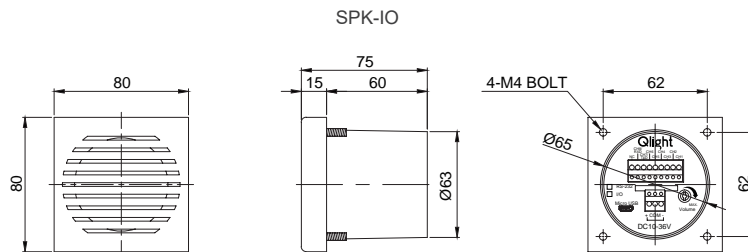


### Technical Diagram

(Units : mm)

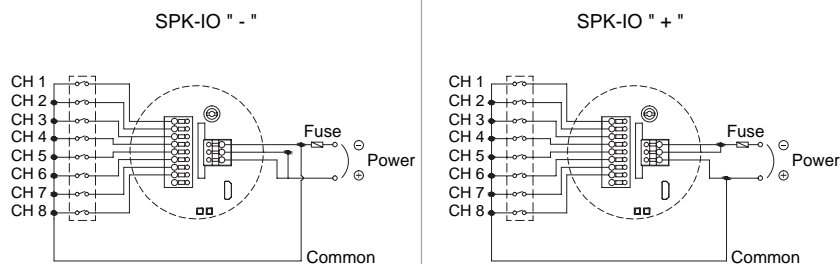


Terminal box for communication panel (back side)

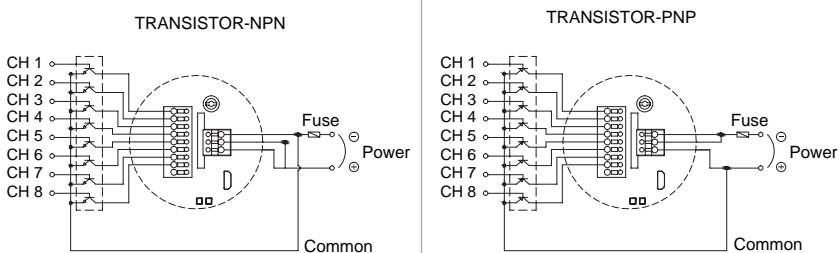


### Wiring Instructions

#### EXTERNAL CONTACT



#### EXTERNAL TRANSISTOR



### Ordering Specification

<b>SPK-IO</b>	-	<b>12/24</b>
[Model number]		[Voltage]
• SPK-IO		• 12/24-DC12V-24V

# QMPS

## Panel Mounted Multi-Functional Speaker

Both built-in sounds and option for external sound input via SDcard (MP3) have 30 built-in sounds

Able to avoid signal confusion with a variety of tone options

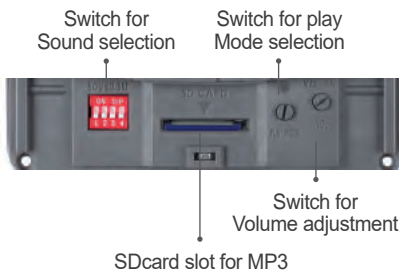
- Bit Input offers 5 channels with 6 sound outputs
- Binary Input offers 30 sound outputs
- SDcard (MP3) combination



### QMPS QMPS Panel Embedded Multifunctional Speaker (SDcard/ MP3 Type)

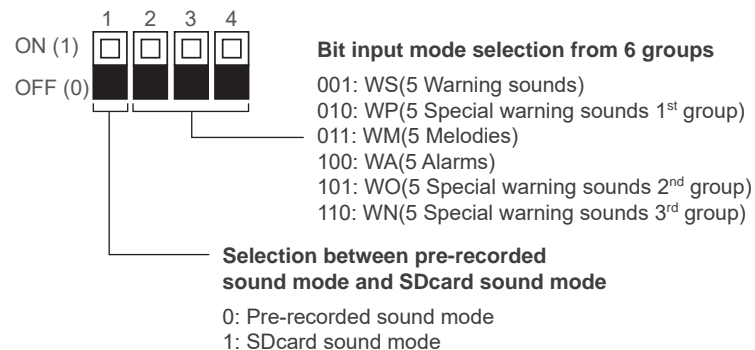
- Can prevent cross talk of different voice environments by selecting an audio signal fit for the specific environment and condition
- Offers both Binary and Bit input mode options with 30 pre-recorded sounds
- Binary input mode has built-in 30 messages that can be played with switch for sound selection
- Bit input mode is organized into 6 groups of 5 sound tones for a total of 30 sound tone options. Playback can be selected from one of the 5 tones in each group (MP3 file with bit input mode)
- Volume adjustment and sound selection switches located inside the unit
- SDcard type can play MP3 voice messages, user can select and change the sound message after record it
- Sound volume : Max 98dB at 1m
- Materials : Housing-ABS, Cover-ABS
- Ambient operating temperature : -25°C to +50°C
- Protection rating : IP54
- Certificates : CE Compliant, UL Listed
- Compliant with RoHS directive

#### • Features



#### Sound Selection Instruction for SDcard Type

You can select between pre-recorded sound mode and SDcard sound (MP3) mode with the SOUND selection switch



#### SDcard(MP3) Type

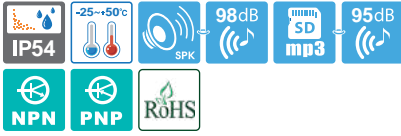


You can easily rearrange the sound playback and group arrangement with PC. Capacity is 32Gbyte.  
\* SDcard sold separately.

- 30 pre-recorded sounds offered (5 warning sounds, 5 special warning sounds 1<sup>st</sup> group, 5 melodies, 5 alarms, 5 special warning sounds 2<sup>nd</sup> group, 5 special warning sounds 3<sup>rd</sup> group)
- External MP3 sound support (SDcard)
- Binary input : 30 channels
- Bit input : 5 channels (6 sound groups)
- A multi-functional product that can use an SDcard for MP3 playback
- Details on how to setup the multi-functional speakerphone are on page 140

# QMPS

## Panel Mounted Multifunctional Speaker



### QMPS Max. 98dB, Panel Mounted Multifunctional Speaker

Model number	Voltage	Current	dB	Input Method/ No. of Ch	Certificate	Weight
QMPS	DC12V-24V	Max. 0.570A	• Warning : 98dB • MP3 : 95dB	Bit Input : 5Ch Binary Input : 30Ch	 DC only  DC only	0.35kg
	AC110V-220V	Max 0.100A				0.53kg

※ DC type model has a free-voltage range of DC10V-30V.  
 ※ AC type model has a free-voltage range of AC100V-240V.

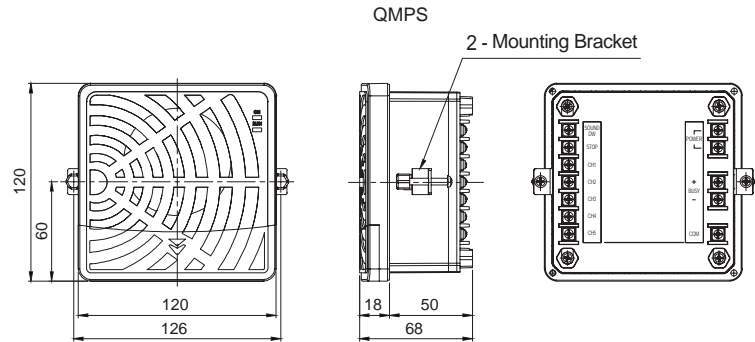


#### Technical Diagram

(Units : mm)

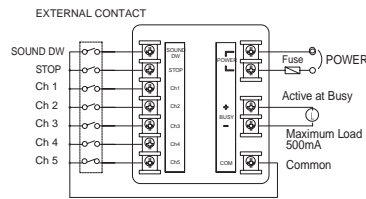


QMPS

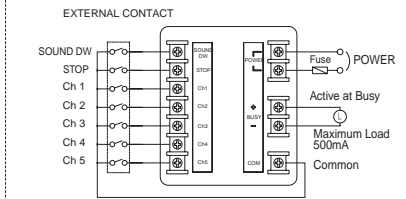


#### Wiring Instructions

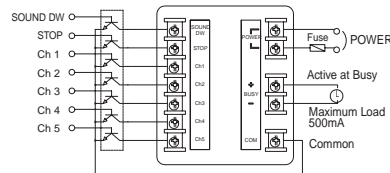
##### QMPS-DC



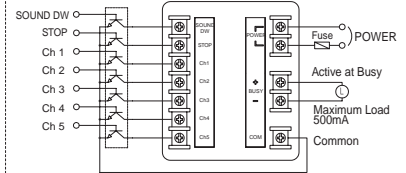
##### QMPS-AC



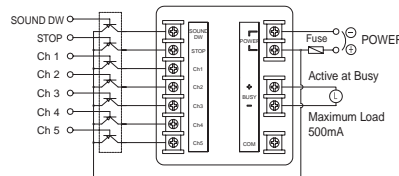
##### EXTERNAL TRANSISTOR-NPN



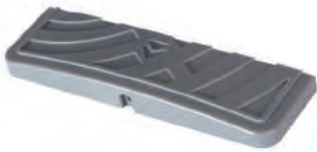
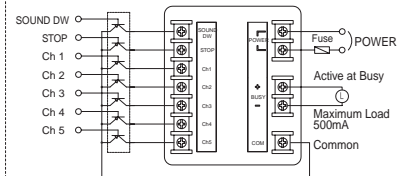
##### EXTERNAL TRANSISTOR-NPN



##### EXTERNAL TRANSISTOR-PNP



##### EXTERNAL TRANSISTOR-PNP



Terminal box for wiring both power and sound pattern(Rear)

• In case of bits input, 5 sound tones can be played. For Binary input, 30 sound tones can be played.

※ Please refer to page 148 for detailed channel input instructions.  
 (Wiring instruction is substituted for channel selection switch)



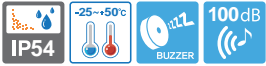
#### Ordering Specification

<b>QMPS</b>	<b>12/24</b>
[Model number]	[Voltage]
• QMPS	• 12/24-DC12V-24V • 110/220-AC110V-220V



# S60ADH

## Wall Mounted High Buzzer Horn



**S60ADH**

### S60ADH Max 100dB, Wall Mounted Buzzer Horn

- Elegant wall mounted buzzer horn
- Horn resonance structure gives the product low power consumption and high sound tone
- Cone sound diffusion structure provides wide & excellent signal sound transmission effect
- Sound volume : Max 100dB at 1m
- Ambient operating temperature : -25°C to +50°C
- Protection rating : IP54
- Certificates : CE Compliant



#### Specification

Model number	Pre-recorded Sound	Voltage	Current	Certificate	Weight
S60ADH	1 Buzzer tone	DC12V	0.083A	CE	0.12kg
		DC24V	0.042A		0.12kg
		AC110V	0.016A		0.12kg
		AC220V	0.008A		0.12kg

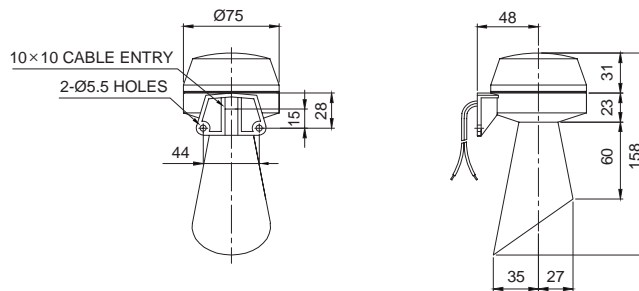
Pre-recorded Sound	Sound Pattern	Channel	dB
1 Buzzer tone	Dududu(Consecutive)	Ch1	100dB



#### Technical Diagram

(Units : mm)

S60ADH



#### Customization

- 105dB strong buzzer type(Model number : S60ADH-HBZ)



#### Ordering Specification

S60ADH	220
[Model number]	[Voltage]
• S60ADH	• 12-DC12V • 24-DC24V • 110-AC110V • 220-AC220V

### Wall mount multifunctional electric horn which supports 30 built-in sounds and 30 user defined sounds(MP3)

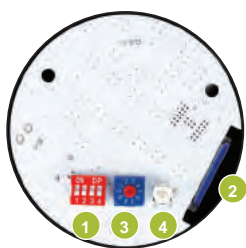
- Bit input : 5Ch(6 groups)
- Binary input : 30Ch
- Support SDcard(MP3)



#### Common Specifications(QAP80/ QAP100/ QAP125)

- Signal sound diffusing structure with wall mount supports 30 Built-in sounds and 30 user defined sounds
- Buzzer type siren horn supports Max 105dB
- Volume control and tone selector switches are installed inside the unit (Buzzer type is unsupported)
- User has the ability to enter voice tones directly into the unit via MP3 files from the SDcard
- This product has 30 Built-in sounds via binary input mode or bit input mode
- Binary input mode allows the user to select from 30 different sound options with the tone selection switch
- Bit input mode is organized into 6 groups of 5 sound tones for a total of 30 sound tone options. Playback can be selected from one of the 5 tones in each group (MP3 file with bit input mode)
- Supports both SDcard and MP3(QAP100HC/QAP125HC)
- Materials : Housing-ABS, Resonance chamber-ABS
- Ambient operating temperature : -25°C to +50°C
- Protection rating : IP65
- Compliant with RoHS directive

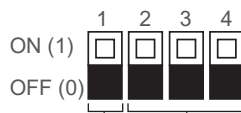
#### • Features(Buzzer type is unsupported)



- 1 Switch for Sound selection
- 2 SDcard slot for MP3
- 3 Switch for play mode selection
- 4 Switch for volume adjustment

#### Sound Selection Instruction for SDcard Type(Buzzer type is unsupported)

You can select between pre-recorded sound mode and SDcard sound (MP3) mode with the SOUND selection switch No.1



#### Bit input mode selection from 6 groups

- 001: WS(5 Warning sounds)
- 010: WP(5 Special warning sounds 1<sup>st</sup> group)
- 011: WM(5 Melodies)
- 100: WA(5 Alarms)
- 101: WO(5 Special warning sounds 2<sup>nd</sup> group)
- 110: WN(5 Special warning sounds 3<sup>rd</sup> group)

#### Selection between pre-recorded sound mode and SDcard sound mode

- 0: Pre-recorded sound mode
- 1: SDcard sound mode

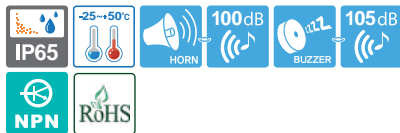
#### SDcard(MP3) Type



You can easily rearrange the sound playback and group arrangement with PC. Capacity is 32Gbyte.  
\* SDcard sold separately.

- 30 pre-recorded sounds offered (5 warning sounds, 5 special warning sounds 1<sup>st</sup> group, 5 melodies, 5 alarms, 5 special warning sounds 2<sup>nd</sup> group, 5 special warning sounds 3<sup>rd</sup> group)
- External MP3 sound support (SDcard)
- Binary input : 30 channels
- Bit input: 5 channels (6 sound groups)
- A multi-functional product that can use an SDcard for MP3 playback
- Details on how to setup the multi-functional speakerphone are on page 148

# QAP series



- Bit input : 5Ch(6 groups)
- Binary input : 30Ch



**QAP80H/ QAP80BZ**

QAP80 does not support SDcard.



QAP series' buzzer and electric sound signal is rich and clear because of the way the resonance chamber amplifies the sound.

## Electric Horn/ High Siren Buzzer Horn

### QAP80H Electric Horn, Wall Mount Type

- Built-in sound

Model number	Voltage	Current	Built-in Sound and dB	Certificate	Weight
QAP80H	DC12V-24V	Max. 0.920A	<ul style="list-style-type: none"> <li>• Bit Input : 5Ch</li> <li>• Binary Input : 30Ch</li> <li>• Warning : Max 100dB</li> </ul>	CE	0.51kg

※ DC type model has a free-voltage range of 10V-30V.

※ Please refer to page 149 for detailed sound pattern information.

### QAP80BZ High Siren Buzzer, Wall Mount Type

- Built-in high buzzer

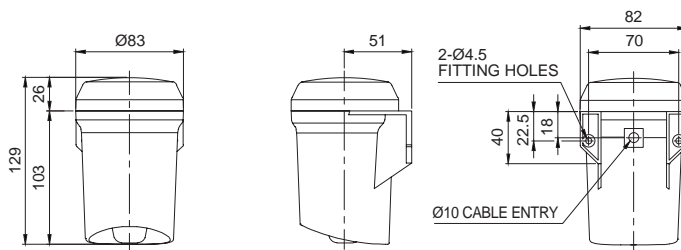
Model number	Voltage	Current	Built-in Sound and dB	Certificate	Weight
QAP80BZ	DC12V	0.350A	• Buzzer Volume : Max 105dB	CE	0.54kg
	DC24V	0.175A			0.59kg



#### Technical Diagram

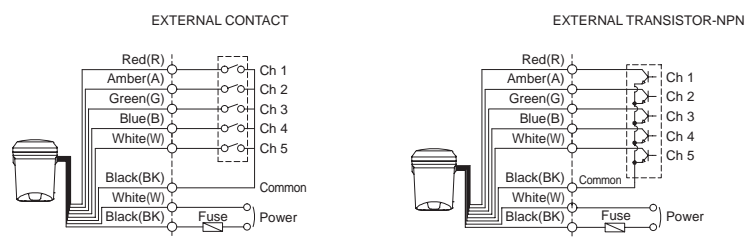
(Units : mm)

QAP80H/ QAP80BZ



#### Wiring Instructions

QAP80H-DC



- External power line standard : UL1015 AWG18(0.75sq)×2C 400mm
- Signal line standard : UL1007 AWG22(0.3sq) 400mm
- Product can be wired regardless of polarity
- In case of bits input, 5 sound tones can be played. For Binary input, 30 sound tones can be played

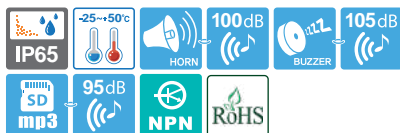
※ Please refer to page 148 for detailed channel input instructions.  
(Wiring instruction is substituted for channel selection switch.)



#### Ordering Specification

QAP80H	-	12/24
[Model number]		[Voltage]
• QAP80H		• 12/24-DC12V-24V
• QAP80BZ		• 12-DC12V • 24-DC24V

# QAP series



- Bit input : 5Ch(6 groups)
- Binary input : 30Ch
- SDcard(MP3)



QAP100H/ QAP100BZ



QAP series' buzzer and electric sound signal is rich and clear because of the way the resonance chamber amplifies the sound.

## Electric Horn/ High Siren Buzzer Horn

### QAP100H Electric Horn, Wall Mount Type

- Built-in sound/ MP3

Model number	Voltage	Current	Built-in Sound and dB	Certificate	Weight
QAP100H	DC12V-24V	Max.0.720A	• Bit Input : 5Ch • Binary Input : 30Ch	CE	0.60kg
	AC110-220V	Max.0.175A	• Warning : Max 115dB • MP3 : Max 95dB		0.63kg

- ※ DC type model has a free-voltage range of 10V-30V.
- ※ AC type model has a free-voltage range of 100V-240V.
- ※ Please refer to page 149 for detailed sound pattern information.

### QAP100BZ High Siren Buzzer, Wall Mount Type

- Built-in high buzzer

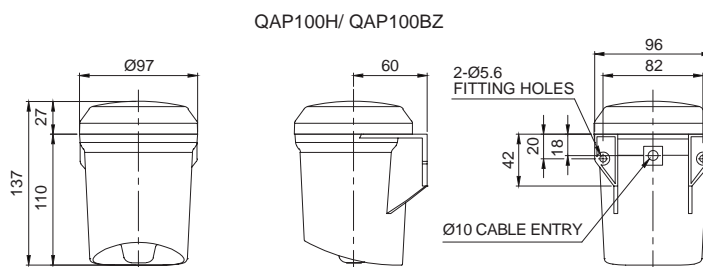
Model number	Voltage	Current	Built-in Sound and dB	Certificate	Weight
QAP100BZ	DC12V	0.230A	• Buzzer Volume : Max 105dB	CE	0.65kg
	DC24V	0.150A			0.68kg
	AC110-220V	Max.0.095A			

- ※ AC type model has a free-voltage range of 100V-240V.



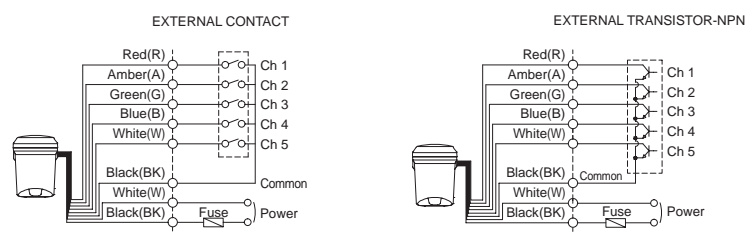
#### Technical Diagram

(Units : mm)



#### Wiring Instructions

##### QAP100H-DC/AC



- External power line standard : UL1015 AWG18(0.75sq)×2C 400mm
- Signal line standard : UL1007 AWG22(0.3sq) 400mm
- Product can be wired regardless of polarity
- In case of bits input, 5 sound tones can be played. For Binary input, 30 sound tones can be played

- ※ Please refer to page 148 for detailed channel input instructions.  
(Wiring instruction is substituted for channel selection switch.)

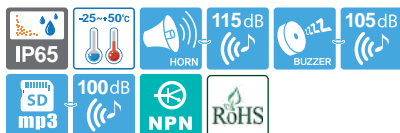


#### Ordering Specification

QAP100H	110/220
[Model number]	[Voltage]
• QAP100H	• 12/24-DC12V-24V • 110/220-AC110V-220V
• QAP100BZ	• 12-DC12V • 24-DC24V • 110/220-AC110V-220V



# QAP series



- Bit input : 5Ch(6 groups)
- Binary input : 30Ch
- SDcard(MP3)



QAP125H/ QAP125BZ



QAP series' buzzer and electric sound signal is rich and clear because of the way the resonance chamber amplifies the sound.

## Electric Horn/ High Siren Buzzer Horn

### QAP125H Electric Horn, Wall Mount Type

- Built-in sound/ MP3

Model number	Voltage	Current	Built-in Sound and dB	Certificate	Weight
QAP125H	DC12V-24V	Max.1.800A	<ul style="list-style-type: none"> <li>• Bit Input : 5Ch</li> <li>• Binary Input : 30Ch</li> <li>• Warning : Max 115dB</li> <li>• MP3 : Max 100dB</li> </ul>	CE	0.70kg
	AC110-220V	Max.0.380A			0.73kg

- \* DC type model has a free-voltage range of 10V-30V.
- \* AC type model has a free-voltage range of 100V-240V.
- \* Please refer to page 149 for detailed sound pattern information.

### QAP125BZ High Siren Buzzer, Wall Mount Type

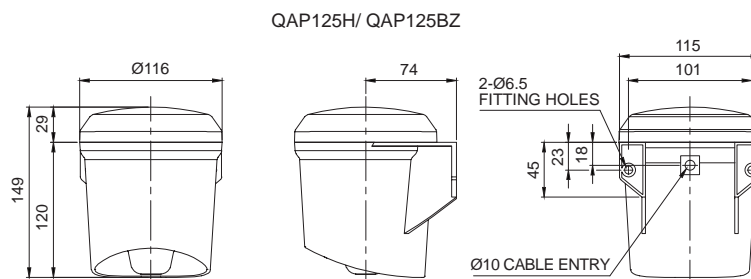
- Built-in high buzzer

Model number	Voltage	Current	Built-in Sound and dB	Certificate	Weight
QAP125BZ	DC12V	0.300A	• Buzzer Volume : Max 105dB	CE	0.75kg
	DC24V	0.150A			0.78kg
	AC110-220V	Max.0.095A			

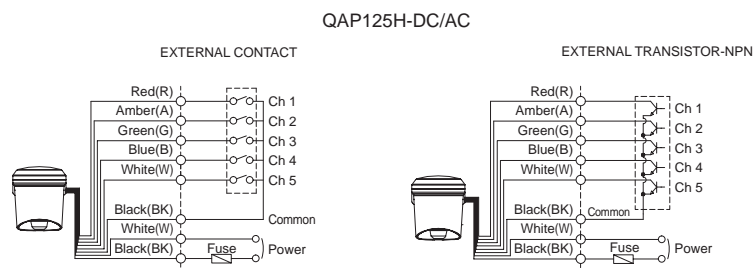
- \* AC type model has a free-voltage range of 100V-240V.

### Technical Diagram

(Units : mm)



### Wiring Instructions



- External power line standard : UL1015 AWG18(0.75sq)×2C 400mm
- Signal line standard : UL1007 AWG22(0.3sq) 400mm
- Product can be wired regardless of polarity
- In case of bits input, 5 sound tones can be played. For Binary input, 30 sound tones can be played

- \* Please refer to page 148 for detailed channel input instructions. (Wiring instruction is substituted for channel selection switch.)

### Ordering Specification

QAP125H	110/220
[Model number]	[Voltage]
• QAP125H	<ul style="list-style-type: none"> <li>• 12/24-DC12V-24V</li> <li>• 110/220-AC110V-220V</li> </ul>
• QAP125BZ	<ul style="list-style-type: none"> <li>• 12-DC12V</li> <li>• 24-DC24V</li> <li>• 110/220-AC110V-220V</li> </ul>

# SRN/SEN15/SEN25

## General Electric Horns



### Common Specifications(SRN/ SEN15/ SEN25)

- Cost effective model with high signal sound
- A variety of sound selections between warning sounds, alarm sounds, melodies and voice messages to fit your sophisticated application needs
- User defined voice signal type(WV) shall be provided upon request
- Can adjust sound volume with the switch built inside the unit
- Materials : Housing-ABS(Standard Color : Red)
- Ambient operating temperature : -25°C to +50°C
- Protection rating : IP55
- Certificates : CE Compliant

108dB



**SRN**

### SRN Max 108dB

Model number	Built-in Sound	dB	Voltage	Current	Certificate	Weight
SRN	WS 5 Warnings	108dB	DC12V-24V AC110V AC220V	Max.0.320A 0.075A 0.035A	 DC only	DC-0.72kg AC-0.98kg
	WM 5 Melodies	108dB				
	WA 5 Alarms	105dB				
	WV 5 Voices	98dB				

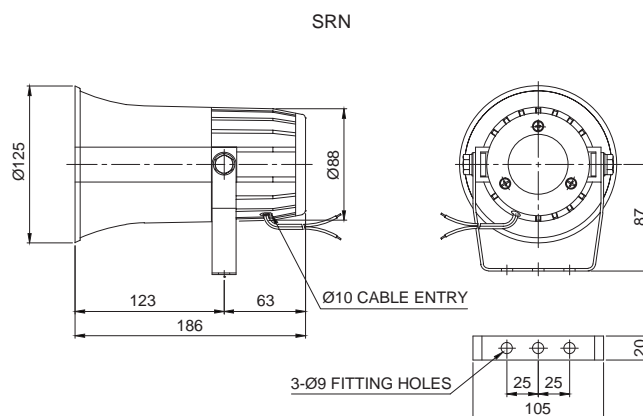
108dB



**SEN15**

### Technical Diagram

(Units : mm)



115dB



**SEN25**

### SEN15 Max 108dB

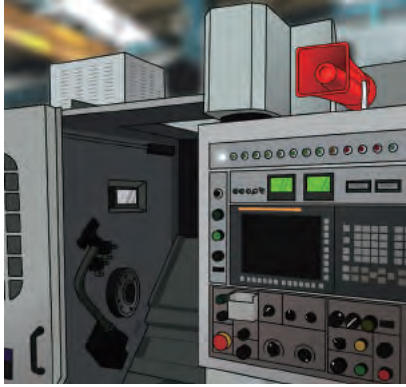
Model number	Built-in Sound	dB	Voltage	Current	Certificate	Weight
SEN15	WS 5 Warnings	108dB	DC12V-24V AC110V AC220V	Max.0.370A 0.080A 0.040A		DC-0.76kg AC-1.03kg
	WM 5 Melodies	108dB				
	WA 5 Alarms	105dB				
	WV 5 Voices	98dB				

### SEN25 Max 115dB

Model number	Built-in Sound	dB	Voltage	Current	Certificate	Weight
SEN25	WS 5 Warnings	115dB	DC12V DC24V AC110V AC220V	2.211A 1.022A 0.226A 0.113A		DC-0.95kg AC-1.23kg
	WM 5 Melodies	115dB				
	WA 5 Alarms	113dB				
	WV 5 Voices	108dB				

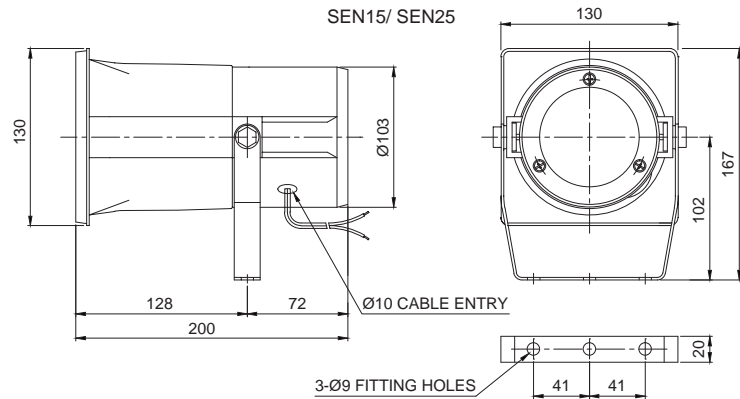
# SRN/SEN15/SEN25

## General Electric Horns



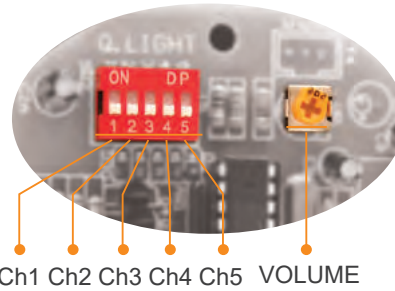
### Technical Diagram

(Units : mm)



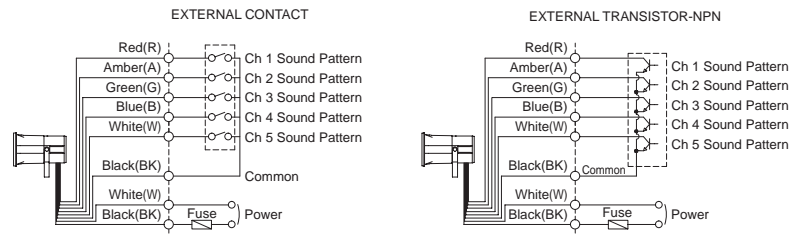
### Sound Selection and Wiring Instructions

- Standard : Internal switch
- Internal switch allows to choose sound pattern for SRN/SEN15/SEN25 models



- External Power Line, Threading type : Standard VCTF(0.75sq×2C)×400mm
- LC type signal line : UL1007 AWG22(0.3sq) 400mm
- Product can be wired regardless of polarity

SRN/ SEN15/ SEN25-DC/AC



### Customization

- Customized type: Select using the external contact(LC)
- You can select the audible sound pattern using external contacts or transistor with a customized external sound line(Model number : -LC)

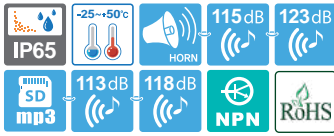


### Ordering Specification

SRN	WS	220	LC
[Model number]	[Sound]	[Voltage]	[Sound selection]
<ul style="list-style-type: none"> <li>• SRN</li> <li>• SEN15</li> <li>• SEN25</li> </ul>	<ul style="list-style-type: none"> <li>• WS-5 Warnings</li> <li>• WM-5 Melodies</li> <li>• WA-5 Alarms</li> <li>• WV-5 Voices</li> </ul>	<ul style="list-style-type: none"> <li>• 12-DC12V</li> <li>• 24-DC24V</li> <li>• 12/24-DC12V-24V (SRN, SEN15 only)</li> <li>• 110-AC110V</li> <li>• 220-AC220V</li> </ul>	<ul style="list-style-type: none"> <li>• None</li> <li>- Internal Switch</li> <li>• LC</li> <li>- External Contact</li> </ul>

# SMP series

## Self Stand Multi-Functional Electric Horns

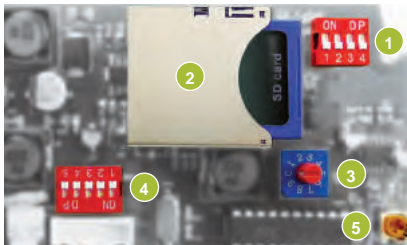


123dB



**SMP35/ SMP50**

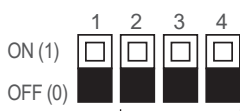
### Channel Input Type of Multifunctional Product



- 1 Switch for sound pattern selection
- 2 SDCard slot for MP3
- 3 Switch for play mode selection
- 4 Switch for channel selection
- 5 Switch for volume adjustment

### Switch for Sound

- Switch No1. allows choosing one option between pre-recorded sound and SDCard



### Bit input mode selection from 6 groups

- 001: WS(5 Warning sounds)
- 010: WP(5 Special warning sounds 1<sup>st</sup> group)
- 011: WM(5 Melodies)
- 100: WA(5 Alarms)
- 101: WO(5 Special warning sounds 2<sup>nd</sup> group)
- 110: WN(5 Special warning sounds 3<sup>rd</sup> group)

### Selection between pre-recorded sound mode and SDCard sound mode

- 0: pre-recorded sound mode
- 1: SDCard sound mode

- 30 pre-recorded sounds offered (5 warning sounds, 5 special warning sounds 1<sup>st</sup> group, 5 melodies, 5 alarms, 5 special warning sounds 2<sup>nd</sup> group, 5 special warning sounds 3<sup>rd</sup> group)
- External MP3 sound support (SDcard)
- Binary input : 30 Channels
- Bit input : 5 Channels (6 sound groups)
- A multi-functional product that can use an SDcard for MP3 playback
- Details on how to setup the multi-functional speakerphone are on page 148

### Common Specifications(SMP35/ SMP50)

- Can prevent cross talk of different voice environments by selecting an audio signal fit for the specific environment and condition
- 30 pre-recorded sound type and supports Binary input mode and Bit input mode
- Binary input mode can playback 30 sound tones by using sound tone select switch
- Volume adjustment and sound selection switches located inside the unit. SDcard in the unit offers convenient operation
- SDcard type allows the user to input the proper voice messages for specific operating conditions
- Support MP3 file and user can input user defined sound
- Tightly sealed structure that blocks dust with IP65 protection rating- suitable for outdoor installation
- Materials : Housing-ABS, Resonance chamber-ABS, Bracket-STs
- Ambient operating temperature : -25°C to +50°C
- Protection rating: IP65
- Certificates : CE Compliant
- Compliant with RoHS directive

### SMP35 Multifunctional Self Stand Type Electric Signal Horn(Supports Warning Sound/ MP3)

- Volume : Max 115dB at 1m

Model number	Voltage	Current	Built-in Sound and dB	Certificate	Weight	Weight
SMP35	DC12V-24V	Max. 1.720A	• Warning : 115dB • MP3 : 113dB	Bit Input : 5Ch Binary Input : 30Ch	CE	0.76kg
	AC110V-220V	Max. 0.325A				1.03kg

※ DC type model has a free-voltage range of 10V-30V.

※ AC type model has a free-voltage range of 100V-240V.

### SMP50 Multifunctional Self Stand Type Electric Signal Horn(Supports Warning Sound/ MP3)

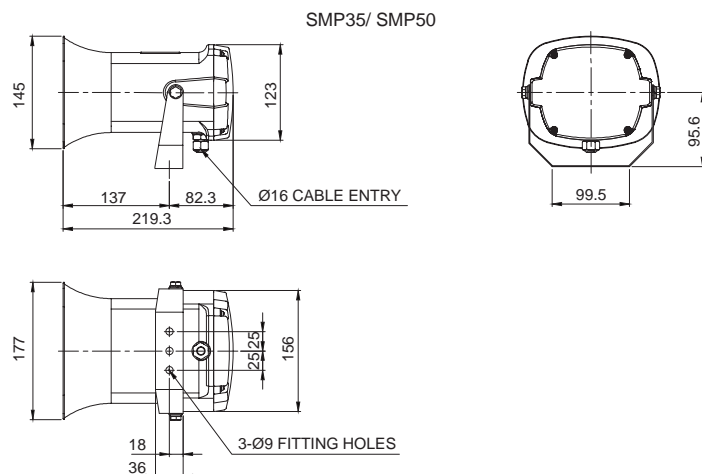
- Powerful 50W unit can generate high signal sound
- Volume : Max 123dB at 1m

Model number	Voltage	Current	Built-in Sound and dB	Certificate	Weight	Weight
SMP50	DC12V-24V	Max. 2.630A	• Warning : 123dB • MP3 : 118dB	Bit Input : 5Ch Binary Input : 30Ch	CE	0.95kg
	AC110V-220V	Max. 0.560A				1.23kg

※ AC type model has a free-voltage range of 100V-240V.

### Technical Diagram

(Units : mm)





# SMP series

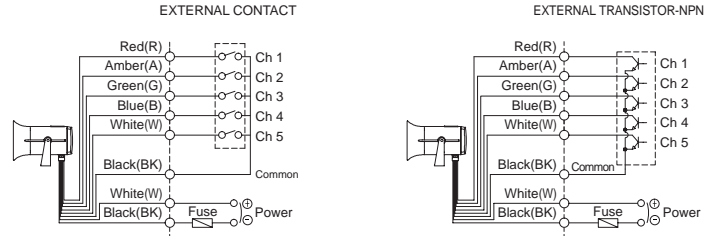
## Self Stand Multi-Functional Electric Horns

Category	Ch	Sound
WS 5 Warning Sounds	Ch1	Fire.A-ANG
	Ch2	Emergency WA-U(Yelp)
	Ch3	Ambulance PI-PO(Hi-low)
	Ch4	Machinery Fault
	Ch5	High Expansion
WP 5 Special Warning Sounds (1st group)	Ch1	Fire.A-ANG
	Ch2	Abandon Alarm
	Ch3	Machinery Fault
	Ch4	High Expansion
	Ch5	7 Short PI. / 1 Long
WM 5 Melodies	Ch1	Sweet Home
	Ch2	For Elise
	Ch3	Cuckoo's Waltz
	Ch4	Piano Sonata
	Ch5	Turkish March
WA 5 Alarms	Ch1	Beep Intermittent
	Ch2	Door Chime
	Ch3	Phone Ring
	Ch4	PI.PI.PI Short
	Ch5	Tripping Beat
WO 5 Special Warning Sounds (2nd group)	Ch1	Rel rel rel
	Ch2	Slow Ambulance PI-PO
	Ch3	Wye yong Wye yong
	Ch4	Phone ring 2
	Ch5	Fire.A-ANG
WN 5 Special Warning Sounds (3rd group)	Ch1	Oit Oit
	Ch2	Pi o Pi o
	Ch3	Slow Di o Di o
	Ch4	Li long Li ling
	Ch5	911 Siren

### Sound Selection and Wiring Instructions

- Standard : Select using the switch inside of the unit
- Customized wiring in case of external contact or transistor wiring type as sound tone selector (Model name : -LC)

SMP35/ SMP50-DC/AC



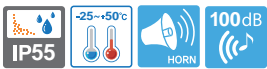
- DC type : Black output is negative(-)
  - Channel selection, 5 sounds played for Bit input and 30 sound played for binary input
- ※ Please refer to page 148 for detailed channel input instructions.  
(Wiring instruction is substituted for channel selection switch.)

### Ordering Specifications

SMP50	-	110/220	-	LC
[Model number]		[Voltage]		[Sound selection]
<ul style="list-style-type: none"> <li>• SMP35</li> <li>• SMP50</li> </ul>		<ul style="list-style-type: none"> <li>• 12/24-DC12V-24V</li> <li>• 110/220-AC110V-220V</li> </ul>		<ul style="list-style-type: none"> <li>• Standard</li> <li>- Built-in Switch</li> <li>• LC</li> <li>- External contact</li> </ul>

# SN-1

## Small Size Electric Horn



100dB



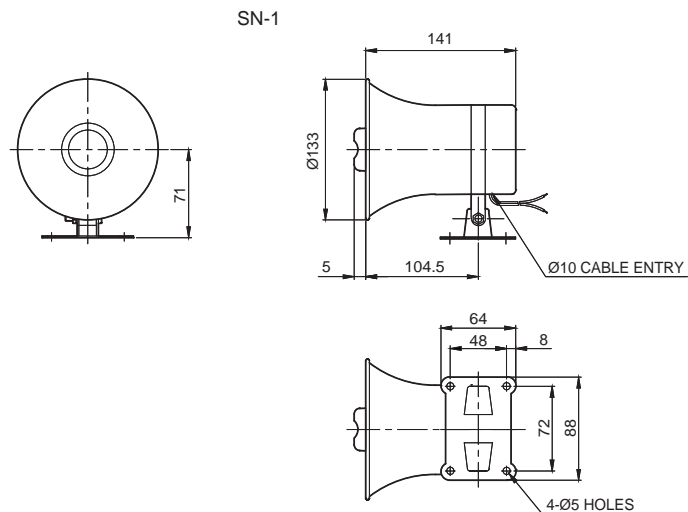
SN-1

### SN-1 Max 100dB

- 1 warning sound and cost effective model for DC only

### Technical Diagram

(Units : mm)

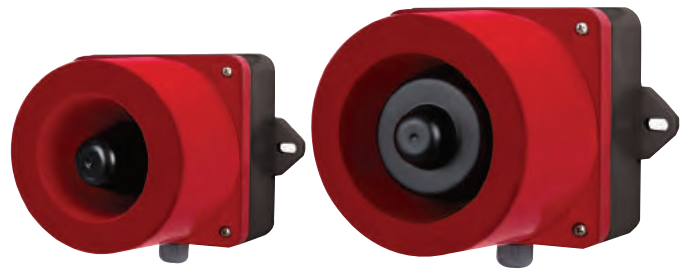


### Ordering Specification

SN-1	-	12
[Model number]		[Voltage]
<ul style="list-style-type: none"> <li>• SN-1</li> </ul>		<ul style="list-style-type: none"> <li>• 12-DC12V</li> <li>• 24-DC24V</li> </ul>

### Wall mount electric horn that offers 31 pre-recorded warning sounds and 30 user selected sound messages

- Bit input offers 5 channels with 6 sound outputs
- Binary input offers 31 sound outputs and SD Card (MP3) combination



#### • Sound Selection and Volume Adjustment Instructions

QWH series has control switches inside the unit for sound selection and volume adjustment. You can play customized sound message(MP3) with SD Card.

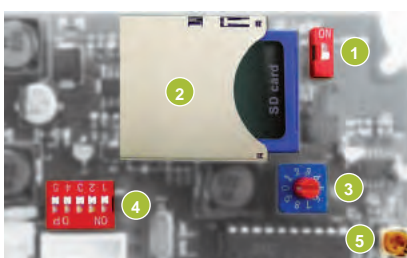
QWH series Product Category	
QWH35	Standard pre-recorded sound type
QWH35SD	SD Card(MP3) type
QWH50	Standard pre-recorded sound type with high volume output
QWH50SD	SD Card (MP3)type with high volume output

#### Pre-recorded sound type



- 1 Switch for channel selection
- 2 Switch for volume adjustment

#### SD Card (MP3) type



- 1 Switch for sound pattern selection
- 2 SD Card slot for MP3
- 3 Switch for play mode selection
- 4 Switch for channel selection
- 5 Switch for volume adjustment



#### Common Specifications(QWH35/ QWH35SD/ QWH50/ QWH50SD)

- Signal fit for the specific environment and condition.
- Options to select between 31 special warning sounds included in the pre-recorded sound type and SD Card(MP3) type
- Volume adjustment and sound selection switches located inside the unit. SD Card in the unit offers convenient operation.
- SD Card type allows the user to input the proper voice messages for specific operating conditions.
- The SD Card type 31 Special alarms built in which includes the voice alert from the SD Card (MP3). 31 special warning sounds are built both in pre-recorded sound type and SD Card type
- Offers both Binary and Bit input mode options (only the SD Card type has the bit input)
- Tightly sealed structure that blocks water and dust with IP66 protection rating suitable for outdoor installation
- Cable entry : PG 13.5
- Materials : Horn-PC, Housing-PC+ABS
- Ambient operating temperature : -30°C to +50°C(Standard type)  
-30°C to +50°C(SD Card type)
- Protection rating : IP66
- Certificates : CE Compliant, UL
- Compliant with RoHS directive

#### The input method of built-in sound type

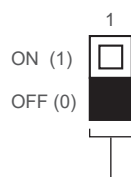
	1	2	3	4	5
ON	<input type="checkbox"/>	<input type="checkbox"/>	<input type="checkbox"/>	<input type="checkbox"/>	<input type="checkbox"/>
OFF	<input type="checkbox"/>	<input type="checkbox"/>	<input type="checkbox"/>	<input type="checkbox"/>	<input type="checkbox"/>
No.	1	2	3	4	5
0	0	0	0	0	0
1	0	0	0	0	1
2	0	0	0	1	0
:	:	:	:	:	:
31	1	1	1	1	1

Select from 31 pre-recorded output sound options by using a combination of the 5 channel input switches.

The binary input method allows you to express each of the 31 alarm sound signals with a "0" or "1" by switching the 5 channels on and off as shown in the table.

#### Sound selection instruction for SD Card type

You can select between pre-recorded sound mode and SD Card sound (MP3) mode with the SOUND selection switch.

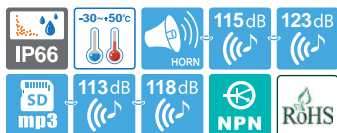


Selection between pre-recorded sound mode and SD Card sound mode  
0 : pre-recorded sound mode  
1 : SD Card sound mode

- 31 built-in alarm sounds and special sound
- Supports SD Cards for external sound (MP3)
- Binary Input : 31Ch
- Bit Input : 5Ch(SD Card only)
- A versatile product that can play MP3 files via the SD card
- For detailed setup instructions, please see Page 144 for the special beep-type products.
- Channel 1 is set as the factory default

# QWH series

## Wall Mount Electric Horn with Pre-recorded Special Warning Sound



115dB



**QWH35 series**

123dB



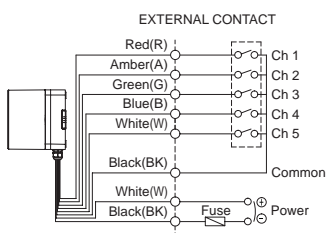
**QWH50 series**



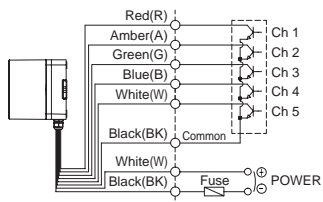
### Sound Selection and Wiring Instructions

- Standard : Internal switch
- Customization : External contact(LC)

#### QWH35/ QWH50-DC/AC



#### EXTERNAL TRANSISTOR-NPN



- Channel selection, 5 sounds available with Bit input and 31 sound available with Binary input

- DC type : Black line is negative(-)

※ Please refer to Page 148 for channel input. (Wiring Instructions is changed to channel selection switches)

### QWH35 Wall Mount Electric Horn MP3(SD Card) with Pre-recorded Special Warning Sound

Model number	Voltage	Current	Binary input/ Channels	Certificates	Weight
QWH35	DC12V-24V	Max 0.930A	• Bit Input : 5Ch (SD Card) • Binary Input : 31Ch	CE UL	0.9kg
Built-in standard sound	AC110V-220V	Max 0.300A			
QWH35SD	DC12V-24V	Max 0.980A	• Warning Sounds: Max.115dB • MP3 Messages : Max.113dB	DC only	1.0kg
MP3	AC110V-220V	Max 0.270A			

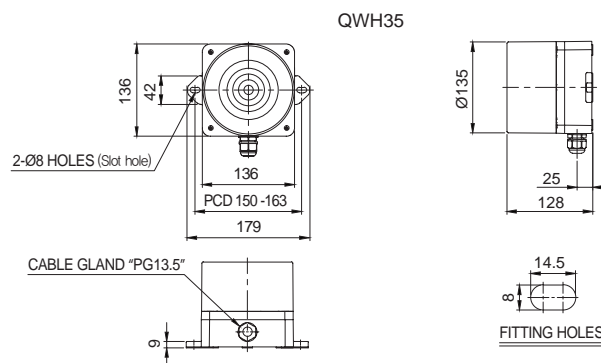
※ DC type model has a free-voltage range of 10V-30V.

※ AC type model has a free-voltage range of 100V-240V.



### Technical Diagram

(Units : mm)



### QWH50 Wall Mount Electric Horn MP3(SD Card) with Pre-recorded Special Warning Sounds

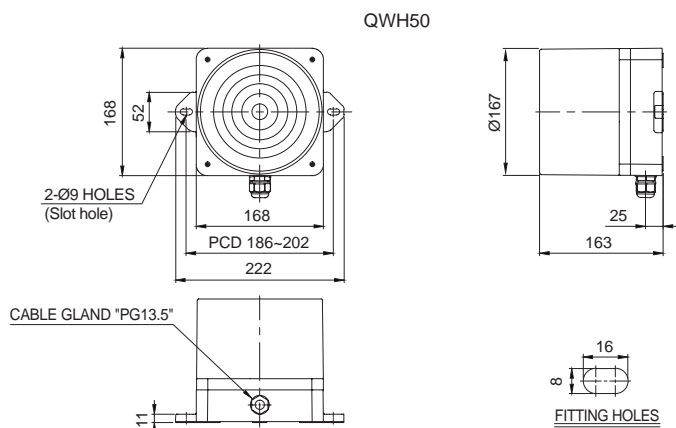
Model number	Voltage	Current	Binary input/ Channels	Certificates	Weight
QWH50	DC12V-24V	Max. 3.480A	• Bit Input : 5Ch (SD Card) • Binary Input : 31Ch	CE UL	2.7kg
Built-in standard sound	AC110V-220V	Max. 0.460A			
QWH50SD	DC12V-24V	Max. 4.310A	• Warning Sounds: Max.123dB • MP3 Messages : Max.118dB	DC only	2.8kg
MP3	AC110V-220V	Max. 0.530A			

※ AC type model has a free-voltage range of 100V-240V.



### Technical Diagram

(Units : mm)



### Customization

- External threading of sound selection signal line (Model number : -LC)

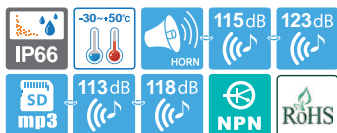


### Ordering Specification

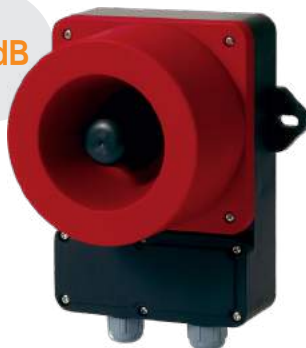
QWH50	-	110/220	-	LC
[Model number]		[Voltage]		[Sound selection]
<ul style="list-style-type: none"> <li>• QWH35</li> <li>• QWH35SD</li> <li>• QWH50</li> <li>• QWH50SD</li> </ul>		<ul style="list-style-type: none"> <li>• 12/24-DC12V-24V</li> <li>• 110/220-AC110V-220V</li> </ul>		<ul style="list-style-type: none"> <li>• Standard</li> <li>• Built-in Switch</li> <li>• LC</li> <li>• -External contact</li> </ul>

# QWH series

## Wall Mount Electric Horn with Pre-recorded Special Warning Sound



115dB



**QWH35T series**

123dB

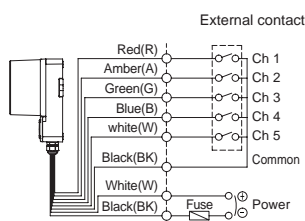


**QWH50T series**

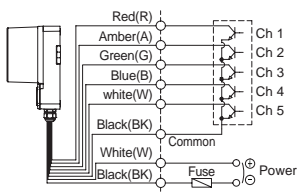
### Sound Selection and Wiring Instructions

- Standard : Internal switch
- Customization : External contact(LC)

#### QWH35T/ QWH50T-DC/AC



#### External transistor-NPN



- Channel selection, 5 sounds available with Bit input and 31 sound available with Binary input
- DC type : Black line is negative(-)

\* Please refer to Page 148 for channel input. (Wiring Instructions is changed to channel selection switches)

### QWH35T Wall Mount Electric Horn MP3(SD Card) with Pre-recorded Special Warning Sound

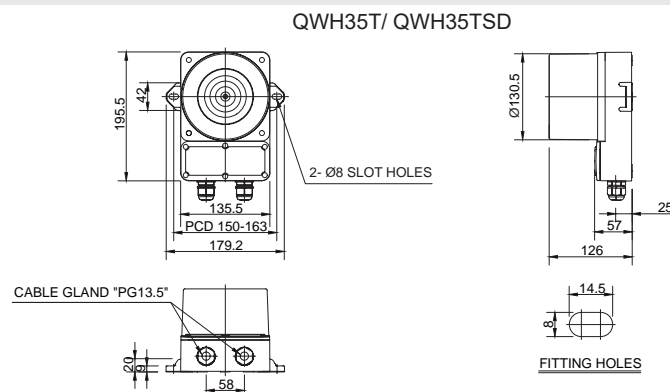
Model number	Voltage	Current	Sound Pattern and Volume	Certificates	Weight
QWH35T Terminal box equipped type Built-in sound type	DC12V-24V AC110V-220V	Max. 0.930A Max. 0.300A	<ul style="list-style-type: none"> <li>• Bit Input : 5Ch(SD Card)</li> <li>• Binary Input : 31Ch</li> <li>• Warning Sounds: 115dB</li> <li>• MP3 Messages : 113dB</li> </ul>		0.9kg
QWH35TSD Terminal box equipped type MP3 type	DC12V-24V AC110V-220V	Max. 0.980A Max. 0.270A			1.0kg

\* DC type model has a free-voltage range of 10V-30V.

\* AC type model has a free-voltage range of 100V-240V.

### Technical Diagram

(Units : mm)



### QWH50T Wall Mount Electric Horn MP3(SD Card) with Pre-recorded Special Warning Sounds

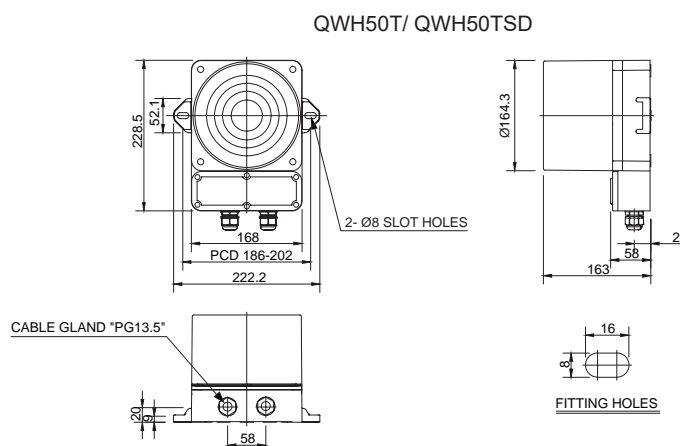
Model number	Voltage	Current	Sound Pattern and Volume	Certificates	Weight
QWH50T Terminal box equipped type Built-in sound type	DC12V-24V AC110V-220V	Max. 3.480A Max. 0.460A	<ul style="list-style-type: none"> <li>• Bit Input : 5Ch (SD Card)</li> <li>• Binary Input : 31Ch</li> <li>• Warning Sounds: 123dB</li> <li>• MP3 Messages : 118dB</li> </ul>		3.00kg
QWH50TSD Terminal box equipped type MP3 type	DC12V-24V AC110V-220V	Max. 4.310A Max. 0.530A			3.10kg

\* DC type model has a free-voltage range of 10V-30V.

\* AC type model has a free-voltage range of 100V-240V.

### Technical Diagram

(Units : mm)



### Customization

- External threading of sound selection signal line (Model number : -LC)

### Ordering Specification

QWH35T	-	110/220	-	LC
[Model number]		[Voltage]		[Sound selection]
<ul style="list-style-type: none"> <li>• QWH35T</li> <li>• QWH35TSD</li> <li>• QWH50T</li> <li>• QWH50TSD</li> </ul>		<ul style="list-style-type: none"> <li>• 12/24-DC12V-24V</li> <li>• 110/220-AC110V-220V</li> </ul>		<ul style="list-style-type: none"> <li>• Standard-Built-in Switch</li> <li>• LC-External contact</li> </ul>



# SN/SEHN25

Electric Horns for Vessels and Heavy Industrial Applications



## Steel Housing

105dB



SN

115dB



SEHN25



### Common Specifications(SN/ SEHN25/ SEHN50)

- Steel housing provides excellent vibration and shock resistance under seismic conditions
- A variety of sound selections between warning sounds, alarm sounds, melodies and voice messages to fit your sophisticated application needs
- Can adjust sound volume with the switch built inside the unit
- Materials : Housing-Steel, Horn housing -Steel
- Housing standard color : Red
- Ambient operating temperature : -25°C to +50°C
- Protection rating : IP55, Suitable for outdoor installation
- Certificates : KIMM Compliant

### SN Max 105dB, Self Stand Type

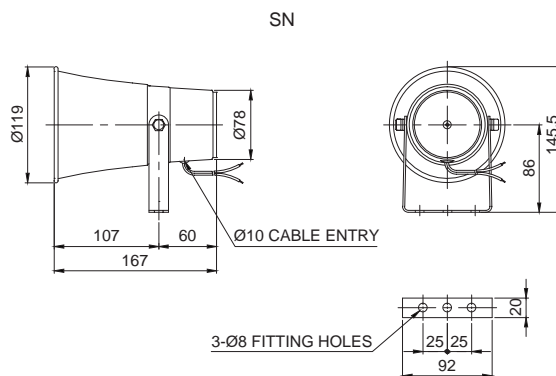
Model number	Sound pattern	Voltage	Current	Certificates	Weight
SN	<ul style="list-style-type: none"> <li>• WS-5 Warning sounds : 105dB</li> <li>• WM-5 Melodies : 105dB</li> <li>• WA-5 Alarms : 103dB</li> <li>• WV-5 Customizable sounds : 95dB</li> </ul>	DC12V-24V	Max. 0.265A		0.91kg
		AC110V	0.065A		1.06kg
		AC220V	0.030A		1.06kg

\* Please refer to Page 144 for detailed information about selectable sound patterns.



### Technical Diagram

(Units : mm)



### SEHN25 Max 115dB, Self Stand Type

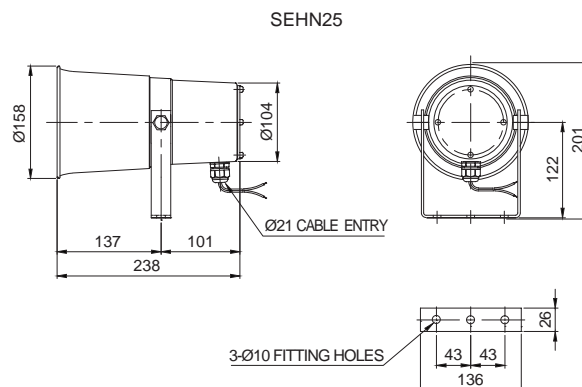
Model number	Sound pattern	Voltage	Current	Certificates	Weight
SEHN25	<ul style="list-style-type: none"> <li>• WS-5 Warning sounds : 115dB</li> <li>• WM-5 Melodies : 115dB</li> <li>• WA-5 Alarms : 113dB</li> <li>• WV-5 Customizable sounds : 108dB</li> </ul>	DC12V	2.211A		2.26kg
		DC24V	1.022A		2.26kg
		AC110V	0.226A		2.48kg
		AC220V	0.113A		2.48kg

\* Please refer to Page 144 for detailed information about selectable sound patterns.



### Technical Diagram

(Units : mm)



# SEHN50

Electric Horns for Vessels and Heavy Industrial Applications



## Steel Housing

## SEHN50 Max 120dB, Self Stand Type

Model number	Sound pattern	Volume	Voltage / Current	Certificates	Weight
SEHN50	WS 5 Warning sounds	120dB	DC12V / 2.440A		DC-2.67kg AC-3.30kg
	WM 5 Melodies	120dB	DC24V / 1.186A		
	WA 5 Alarms	118dB	AC110V / 0.244A		
	WV 5 Customizable sounds	115dB	AC220V / 0.122A		

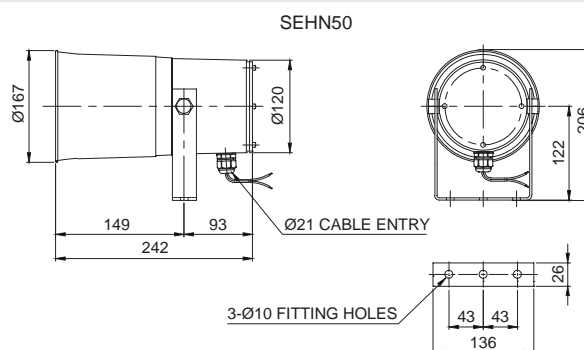
\* Please refer to Page144 for detailed information about selectable sound patterns.

120dB



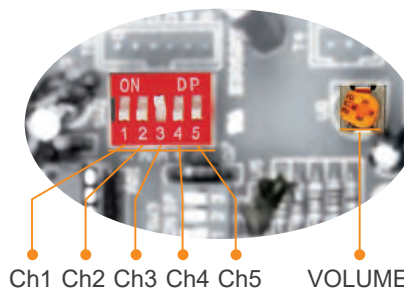
SEHN50

### Technical Diagram (Units : mm)

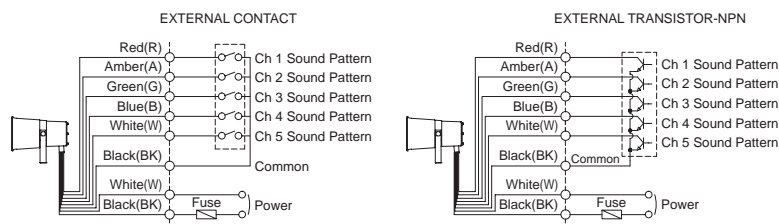


### Sound Selection and Wiring Instructions

- Standard : Internal switch
- When each channel dip switch is on, a related sound will be played



- Customization : External contact(LC)  
SN/ SEHN25/ SEHN50-DC/AC



### Customization

- You can select the audible sound pattern using external contacts or transistor with a customized external sound line. (Model number : -LC)

- External power line standard : VCTF(0.75sq)×2C 400mm
- LC type signal line standard : UL1007 AWG22(0.3sq) 400mm
- Product can be wired regardless of polarity

### Ordering Specification

SEHN25	WA	220	LC
[Model number]	[Sound]	[Voltage]	[Sound selection]
<ul style="list-style-type: none"> <li>• SN</li> <li>• SEHN25</li> <li>• SEHN50</li> </ul>	<ul style="list-style-type: none"> <li>• WS-Warning</li> <li>• WM-Melody</li> <li>• WA-Alarm</li> <li>• WV-Customizable sound</li> </ul>	<ul style="list-style-type: none"> <li>• 12-DC12V</li> <li>• 24-DC24V</li> <li>• 12/24-DC12V-24V (SN only)</li> <li>• 110-AC110V</li> <li>• 220-AC220V</li> </ul>	<ul style="list-style-type: none"> <li>• Standard</li> <li>-Built-in switch</li> <li>• LC</li> <li>-External contact</li> </ul>

# SM series

## Motor Sirens



110dB



SM30

116dB



SM40



Continuous operation rating time is 10 mins. Over 10 mins of continuous operation may cause motor damage. Please be careful.



### Ordering Specification

<b>SM30</b>	-	<b>24</b>
[Model number]		[Voltage]
<ul style="list-style-type: none"> <li>• SM30</li> <li>• SM40</li> </ul>		<ul style="list-style-type: none"> <li>• 12-DC12V</li> <li>• 24-DC24V</li> <li>• 110-AC110V</li> <li>• 220-AC220V</li> </ul>

### SM30 Miniature Motor Siren

- Ø80mm compact structure with 110dB sound output
- Motor RPM : 10,000RPM
- Materials : Steel
- Power consumption : 40W
- Protection rating : IP 44
- Housing standard color : Red
- Insulation resistance : 100MΩ(at 500 VDC)
- Ambient operation temperature : -25°C to +50°C



### Specifications

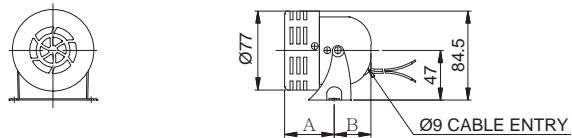
Model number	Volume	Voltage	Current	Certificates	Weight	Rated time
SM30	110dB	DC12V	5.100A	-	0.22kg	10 min
		DC24V	2.500A		0.22kg	
		AC110V	1,220A		0.42kg	
		AC220V	0.610A		0.42kg	



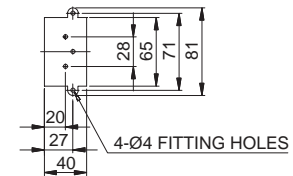
### Technical Diagram

(Units : mm)

SM30



MODEL	A(mm)	B(mm)
SM30-DC	47	35
SM30-AC	72.5	32



### SM40 Miniature Motor Siren

- Ø100mm compact structure with 116dB sound output
- Motor RPM : 7,000RPM
- Materials : ABS
- Power consumption : 80W
- Protection rating : IP 44
- Housing standard color : Gray
- Insulation resistance : 100MΩ(at 500 VDC)
- Ambient operation temperature : -25°C to +50°C



### Specifications

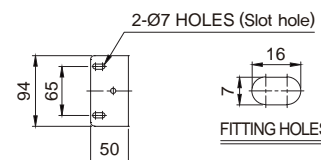
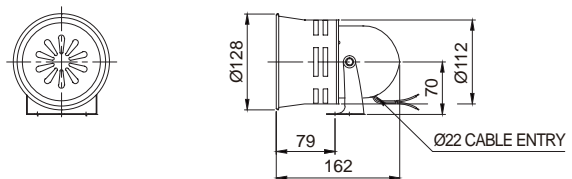
Model number	Volume	Voltage	Current	Certificates	Weight	Rated time
SM40	116dB	DC12V	6.778A	-	0.53kg	10 min
		DC24V	3.666A		0.53kg	
		AC110V	1.000A		0.68kg	
		AC220V	0.722A		0.68kg	



### Technical Diagram

(Units : mm)

SM40



# SM series

## Motor Sirens



120dB



SM200

123dB



SM400



Continuous operation rating time of SM400 is 3 mins. Over 3 mins of continuous operation may cause damage to the motor. Please be careful.



### Ordering Specification

SM200

24

[Model number]

[Voltage]

- SM200
- SM400

- 24-DC24V
- 110-AC110V
- 220-AC220V

### SM200 120dB Heavy-Duty Motor Siren

- Excellent durability and high volume are suitable for noisy environment
- Motor RPM : 7,200RPM
- Materials : Steel/Al
- Ambient operation temperature : -25°C to +50°C
- Certificates : CE Compliant
- Housing standard color : Red
- Insulation resistance : 100MΩ(at 500 VDC)
- Protection rating : IP 44



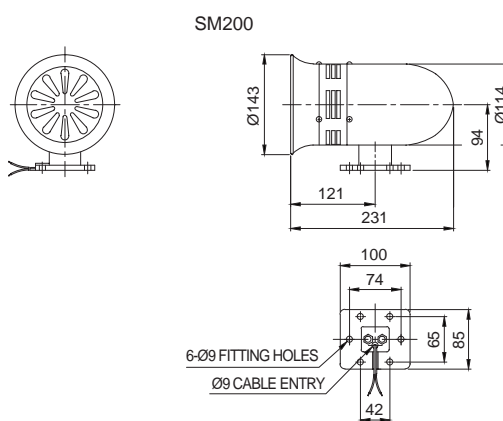
### Specifications

Model number	Volume	Voltage	Current	Certificates	Weight	Rated time
SM200	120dB	DC24V	7.820A	CE DC24V only	2.19kg	10 min
		AC110V	2.105A		2.55kg	
		AC220V	1.005A		2.55kg	



### Technical Diagram

(Units : mm)



### SM400 Sound 123dB Heavy-Duty Motor Siren

- 123dB high volume model suitable for long-distance audible signal in noisy environments
- Motor RPM : 7,600RPM
- Materials : Steel/ABS
- Ambient operation temperature : -25°C to +50°C
- Protection rating : IP 44
- Housing standard color : Red
- Insulation resistance : 100MΩ(at 500 VDC)



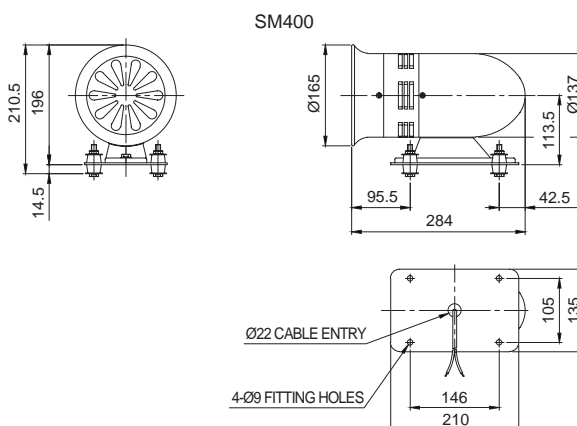
### Specifications

Model number	Volume	Voltage	Current	Certificates	Weight	Rated time
SM400	123dB	DC24V	12.000A	-	3.19kg	3 min
		AC110V	6.300A		3.75kg	
		AC220V	3.800A		3.75kg	



### Technical Diagram

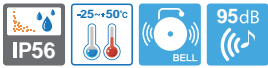
(Units : mm)





# SAB series

Alarm Bells with Lamp Attached for Vessels and Heavy Industrial Applications



**SAB130**  
-Bell housing Ø130mm

**SAB200**  
-Bell housing Ø200mm

## SAB130/ SAB200 Max 95dB

- Electric solenoid bell system provides excellent durability to vibration and shock for vessels and large facilities
- Special material for bell housing provides clear and crisp alarm sound
- Excellent vibration and shock resistant structure for superior durability
- Easy wiring and maintenance with terminal box attached
- Lamp attached provides visual signals
- Bell and lamp operation is synchronized. Each function can also operate separately
- Sound volume : Max 95dB at 1m
- Standard color : Housing-beige, Bell/ Lamp-Red
- Materials : Bell-Steel, Housing-ABS
- Ambient operating temperature : -25°C to +50°C
- Protection rating : IP56
- Cable entry : PG19

95dB



SAB130

95dB



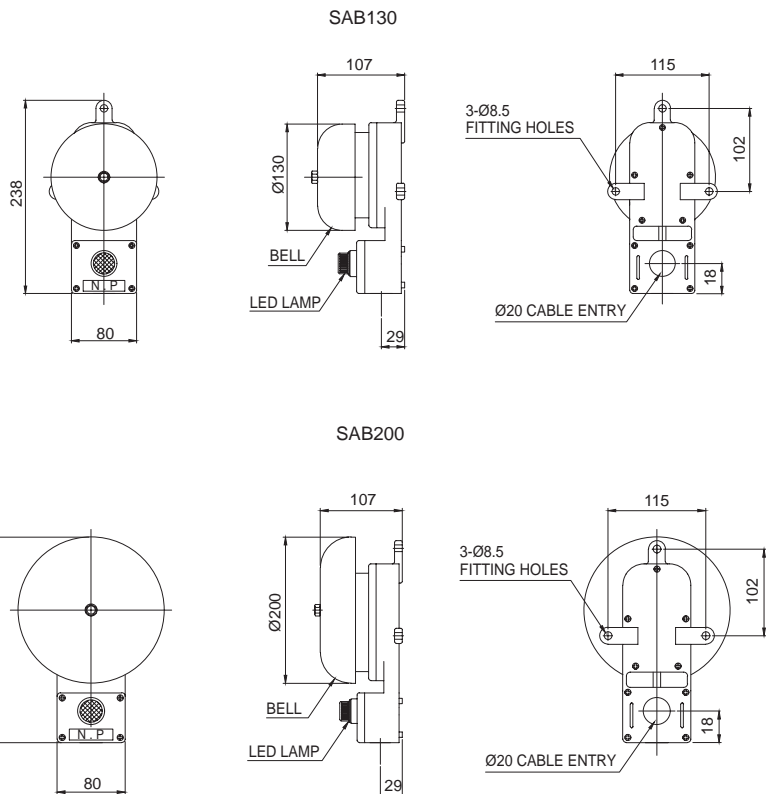
SAB200

### Specifications

Model number	Frequency	Volume	Bell diameter	Voltage	Current	Certificates	Weight	Bell/ Lamp color
SAB130	400-600Hz	95dB	130mm	DC24V	1.100A	CE	1.88kg	• R-Red
SAB200			200mm	AC110V	0.350A		2.00kg	
				AC220V	0.300A			

### Technical Diagram

(Units : mm)



### Customization

- Two way cable entries with PG19

### Ordering Specification

<b>SAB200</b>	-	<b>110</b>	-	<b>CG</b>
[Model number]		[Voltage]		[Cable gland]
<ul style="list-style-type: none"> <li>• SAB130</li> <li>• SAB200</li> </ul>		<ul style="list-style-type: none"> <li>• 24-DC24V</li> <li>• 110-AC110V</li> <li>• 220-AC220V</li> </ul>		<ul style="list-style-type: none"> <li>• Standard</li> <li>-Back wiring type</li> <li>• CG</li> <li>-Built-in cable gland type</li> </ul>

# Technical Certification

Qlight products are designed to meet strict quality and technical standards. Thus, the Qlight brand is widely recognized for its high quality and technical innovations from leading institutions around the world.

 <p><b>ISO</b> International Organization for Standardization</p> <p>Qlight quality assurance systems have been certified by ISO by applying the ISO 9001:2008, KS Q ISO 9001:2009 regulation.</p>	 <p><b>IECEX</b> International Explosion Proof Certification (IECEX)</p> <p>Certified that Qlight's products are being manufactured and managed according to international standards.</p>
 <p><b>ATEX</b> The European Regulatory Framework of Manufacture, Installation and Use of Equipment in Explosive Atmospheres</p> <p>Qlight explosion proof products comply with ATEX Directives 94/9/EC.</p>	 <p><b>NEPSI</b> National Supervision and Inspection Center for Explosion Protection and Safety of Instrumentation</p> <p>Qlight's design and manufacturing system meets the People's Republic of China National explosion proof Standard. (Chinese Standard-GB3836/GB12476)</p>
 <p><b>KCs</b> Explosion proof device safety Certification System</p> <p>The safety performance of machines and equipment subject to safety certification and Technical capability and production system have been certified safety certification standards.</p>	 <p><b>TIIS</b> Japan Explosion-proof Certification</p> <p>Japan explosion-proof certification is an international mutual certification system for explosion-proof electrical equipment. Qlight have been certified that explosion-proof products are manufactured and managed according to international standards.</p>
 <p><b>CCS</b> China Classification Society</p> <p>Qlight design and quality assurance system has been certified by the China Classification Society.</p>	 <p><b>RMRS</b> Russian Maritime Register of Shipping</p> <p>Qlight design and quality assurance system has been certified from Russian Maritime Register of Shipping.</p>
 <p><b>LR</b> Lloyd's Register</p> <p>Qlight design and quality assurance system has been certified from Lloyd's Register.</p>	 <p><b>KR</b> Korean Register of Shipping</p> <p>Qlight design and quality assurance system has been certified by the Korean Register of Shipping.</p>
 <p><b>E-mark</b> Commission Directive Regarding Vehicle Industry</p> <p>Qlight has obtained EU mark for approved vehicles and vehicle components sold into the EU(EEA : European Economic Area)</p>	 <p><b>KC</b> Korea Safety Certification</p> <p>Qlight products are certified by KC for preventing accident caused by fire.</p>
 <p><b>CCC</b> China Compulsory Certificate</p> <p>Qlight has obtained CCC which guarantees safety, protection against fraud, environment, etc.</p>	 <p><b>KCC</b> Conformity assessment of broadcasting communication equipments</p> <p>Qlight have been certified to protect the electromagnetic environment that causes unwanted electro-magnetic waves from the device, communication failure due to other devices or external radio waves, and malfunction of the device.</p>
 <p><b>UL</b> Underwriters Laboratories</p> <p>Qlight design and quality assurance system has been certified from UL to ensure the stability of consumption goods and to protect consumers.</p>	 <p><b>CCCF</b> China Certification Center for Security &amp; Protection</p> <p>Qlight have passed the rigorous examination process of "Passing Fire Protection Products Centering" in order to sell fire-fighting products such as fire alarm equipment to Chinese market.</p>
 <p><b>CE</b> European Commission</p> <p>Qlight has been certified by the European Commission.</p>	 <p><b>ICAO</b> International Civil Aviation Organization</p> <p>Qlight guarantees our products satisfy the criteria regulated by the International Civil Aviation Organization(ICAO, FAA).</p>
 <p><b>RoHS2</b> Restriction of Hazardous Substances Directive</p> <p>Qlight complies with the Restriction of Hazardous Substances Directive by limiting its use of hazardous materials.</p>	

# Bulb Specification

The table below summarizes bulb specifications that are equipped with Qlight's products. Please carefully review the bulb specification in case bulb replacement is needed. Otherwise it may cause part malfunction.

Layout	Part#	Feature	Spec	Voltage	Current	Product
	1	14V 5W	G14 9S	12V	0.357A	S50, ST45
	2	27V 5W	G14 9S	24V	0.185A	
	3	120V 5W	T16×28 9S	110V	0.042A	S50, ST45
	4	240V 5W	T16×28 9S	220V	0.021A	
	5	14V 5W	T16×35 15S	12V	0.357A	S60 S80, SR SJ, SJD
	6	27V 5W	T16×35 15S	24V	0.185A	
	7	120V 5W	T16×35 15D	110V	0.042A	S60
	8	240V 5W	T16×35 15D	220V	0.021A	
	9	14V 10W	T16×35 15S	12V	0.714A	S100 S125 SE ST56 ST80
	10	27V 10W	T16×35 15S	24V	0.370A	
	11	52V 10W	T16×35 15S	48V	0.192A	
	12	120V 10W	T16×35 15S	110V	0.083A	S100 S125 ST56 ST80
	13	240V 10W	T16×35 15S	220V	0.042A	
	14	52V 10W	T16×35 15D	48V	0.192A	S100E S125E
	15	120V 10W	T16×35 15D	110V	0.083A	
	16	240V 10W	T16×35 15D	220V	0.042A	
	17	14V 15W	G23 15S	12V	1.071A	SK S150, SH1 SH2, SED SD, SHD SHD2 SMD, SESA SEBA, SEA
	18	27V 15W	G23 15S	24V	0.556A	
	19	52V 15W	G23 15S	48V	0.288A	
	20	120V 15W	G23 15S	110V	0.125A	
	21	240V 15W	G23 15S	220V	0.063A	
	22	120V 15W	G23 15D	110V	0.125A	S150, SH1 SH2, SED SD, SHD SHD2 SMD, SESA SEBA, SEA
	23	240V 15W	G23 15D	220V	0.063A	
	24	12V 23W	S25 15S	12V	1.916A	S150, SH2 SD, SMD SESA SEBA, SEA
	25	24V 23W	S25 15S	24V	0.958A	
	26	52V 25W	T23×62 15D	48V	0.481A	S150, SH2 SD, SMD SESA SEBA, SEA
	27	120V 25W	T23×62 15D	110V	0.208A	
	28	240V 25W	T23×62 15D	220V	0.104A	
	29	14V 35W	RP35 15S	12V	2.500A	S180
	30	27V 35W	RP35 15S	24V	1.296A	

Layout	Part#	Feature	Spec	Voltage	Current	Product
	31	120V 35W	RP35 15S	110V	0.292A	S180
	32	240V 35W	RP35 15S	220V	0.146A	
	33	110V 60W	E26 ES	110V	0.545A	S150, SH2 SD, SMD SESA, SE SEBA, SEA
	34	220V 60W	E26 ES	220V	0.272A	
	35	12V 30W	A60 E26	12V	2.500A	S150, SH2 SD, SMD
	36	24V 60W	A60 E26	220V	2.500A	
	37	110V 60W	A60 E26	110V	0.545A	S150, SH2 SD, SMD
	38	220V 60W	A60 E26	220V	0.272A	
	39	14V 35W	15S Halogen	12V	2.500A	SKH
	40	27V 35W	15S Halogen	24V	1.296A	
	41	120V 35W	15D Halogen	110V	0.292A	S150, SH2 SD, SMD SESA, SE SEBA, SEA
	42	240V 35W	15D Halogen	220V	0.146A	
	43	14V 55W	15S Halogen	12V	3.929A	S150, SH2 SD, SMD SESA, SE SEBA, SEA
	44	27V 55W	15S Halogen	24V	2.037A	
	45	120V 55W	15D Halogen	110V	0.458A	S150, SH2 SD, SMD SESA, SE SEBA, SEA
	46	240V 55W	15D Halogen	220V	0.229A	
	47	220V -350V	BGA2120 -BBC I Type xenon lamp		4W	S80S, S80AS
	48	200V -550V	EUB0641 -1A(G) U Type xenon lamp		6W	S100S, S125S S150S, SJS SH1S, SH2S SEDS, SDS SHDS, SHD2S SMDs, SCDWS, SNE-S, SNES-S SESAS, SE-S SEBAS, SEAS ELMS, ELRS, ELPS
	49	280V -400V	BH0647(G) W Type xenon lamp		16W	S125HS, S150HS S180US, S180UHS SH1HS, SH2HS SEDHS, SDHS SHDHS, SHD2HS SMDHS SESAHS, SEAHS ELVS

# Light Source of Warning Light/ Signal Light

## SELECTION OF WARNING LIGHT

The selection of signaling devices will depend on the particular situation and environment.

- Whether the location of installation is dark or bright.
- Whether the signal transmission range should be short or long, or should have good visibility.
- Whether you need an economical but short lifetime product or upscale product with longer lifetime.
- Whether the environment is harsh with vibration and shock, or the environment is stable so that the life of the lights can be guaranteed.
- The selection of signaling device can be different depending on the situation and environment. The convenience and efficiency of maintenance should also be considered.

\* Factors to consider in signal selection

1. Purpose
2. Signal transmission
3. Environment
4. Budget
5. Ease of maintenance

## TYPE OF LIGHT SOURCE

### Bulb



Light bulb is a light source that uses temperature reflection generated by the current flowing through the light bulb filament (thin line of metal), tungsten wire coil filament is often used. The hot filament is protected from oxidation with a glass sphere injected with inert gas (Argon gas, etc.). Typical characteristics of the gas injected bulb is described below.

1. If the input voltage decreases more than 10% of the rated voltage, the bulb life increases four times than before, and the power consumption is reduced by 85%.
2. On the other hand, If input voltage is 10% higher than the rated voltage, the life of the bulb is shortened by about 30% and the power consumption increases about 16%, and the brightness is increased by about 40%. The standard service life of a normal bulb is about 1,000 - 1,500 hours.

### LED



The LED is a light emitting diode which emits light by injecting a current in the PN junction of the special semiconductor, semiconductors such as GaAs, GaP that Maximizes the electro-optical conversion effects are used. Like other semiconductors, over-voltage or ambient temperature affects the lifetime, but due to the absence of mechanical abrasion of the part, LED is shock/ vibration resistant so there is no need for proper seismic design. The standard service life of an LED is about 50,000 hours.

### Xenon Lamp



Xenon lamp is a flash type light source that emits bright light instantly by inserting high energy into the lamp. Compared with the steady type lamp, xenon lamps need a lot of input power instantly and a extremely large amount of light it is diffused.

The lamp is filled with xenon(Xe) gas due to the convenience of the production(choice of materials), its use, xenon lamp was named after the xenon gas that it uses. xenon lamps are also resistant to vibration due to its mounting method. In addition, it is visible even in bright environments not only because the spectacle distribution of the visible light is close to the sunlight, it uses the same method as the strobe of the camera.

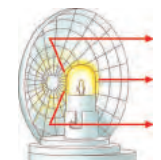


# Warning Light/ Indicator Light Operating Principle



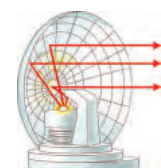
## Bulb Steady/ Flashing Type

- Highly diffusible light bulb that refracts light through a special lens and can be used in a steady or flashing state



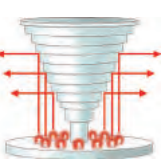
## Bulb Revolving Type

- By combining a highly diffusible light bulb and a reflector, light is reflected in a parallel beam with a rotating cycle
- Our bulb revolving model has a long lifetime enabled by using a high durability bulb and a power transfer system that minimizes noise and abrasion



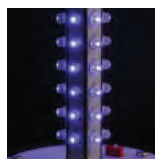
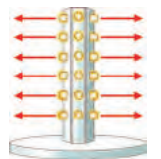
## LED Revolving Type

- The combination of an LED and a reflector creates a parallel light beam with a rotating cycle
- Our LED revolving model is patented for emitting light with the same level of uniformity and brightness compared to the bulb reflecting type



## LED Steady/ Flashing Type

- The indirect light distribution system uses a special structure to radiate a uniform light signal throughout the entire body of the lens by using a multi-stage reflector
- The direct light distribution system uses a high-intensity LED light and diffusion lens to transfer signal over a long distance. Qlight LED lights / flashing lights are equipped with two structures depending on the model type, Steady or Flashing Type



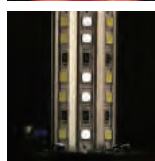
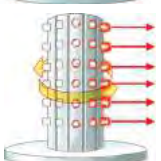
## LED Strobe-Type

- By shortening the LED flashing period and supplying the maximum current to the LED, it produces a flash effect just like the xenon lamp



## LED Simulated Revolving Type

- By uniformly arranging the LED lens in a 360 degree circumferential direction, it will produce a flash in a regular rotating sequence
- The visual effect looks just the same as the revolving model



## Xenon Lamp Strobe-Type

- The strobe type model uses a xenon lamp that instantly emits a high brightness light by supplying large energy
- Requires more power than other flashing type models, and the flash is brighter in comparison
- Has excellent vibration resistance compared to regular light bulbs but is not superior to LEDs
- Can spread strong light signals in all directions because of the light projecting structure

# Pre-recorded Sound Tone and Sound Combination Chart

## ■ 20 pre-recorded sound tones for standard type products

Sound Number	Sound Tone	Sound Number	Sound Tone
SND01	Fire.A-ANG	SND11	Piano Sonata
SND02	Emergency WA-U(Yelp)	SND12	Turkish March
SND03	Ambulance PI-PO(Hi-low)	SND13	Magic Flute
SND04	Abandon Alarm	SND14	Badinerie
SND05	Machinery Fault	SND15	Pine Apple Rag
SND06	High Expansion	SND16	Beep Intermittent
SND07	7 Short Pl. / 1 Long	SND17	Door Chime
SND08	Sweet Home	SND18	Phone Ring
SND09	For Elise	SND19	PI.PI.PI Short
SND10	Cuckoo's Waltz	SND20	Tripping Beat

## • Standard sound combination for WS/ WP type products

ON = 1 / OFF = 0

7 sounds per combination can be selected according to your preference.  
8 combinations are available.

No.	1	2	3	Ch1	Ch2	Ch3	Ch4	Ch5
1	1	0	0	SND01 Fire.A-ANG	SND02 Emergency WA-U	SND03 Ambulance PI-PO	SND05 Machinery Fault	SND06 High Expansion
2	0	1	0	SND01 Fire.A-ANG	SND04 Abandon Alarm	SND05 Machinery Fault	SND06 High Expansion	SND07 7 Short Pl. / 1 Long
3	1	1	0	SND01 Fire.A-ANG	SND02 Emergency WA-U	SND04 Abandon Alarm	SND05 Machinery Fault	SND06 High Expansion
4	0	0	1	SND01 Fire.A-ANG	SND03 Ambulance PI-PO	SND05 Machinery Fault	SND06 High Expansion	SND07 7 Short Pl. / 1 Long
5	1	0	1	SND02 Emergency WA-U	SND03 Ambulance PI-PO	SND04 Abandon Alarm	SND05 Machinery Fault	SND06 High Expansion
6	0	1	1	SND01 Fire.A-ANG	SND02 Emergency WA-U	SND03 Ambulance PI-PO	SND04 Abandon Alarm	SND07 7 Short Pl. / 1 Long
7	1	1	1	SND01 Fire.A-ANG	SND03 Ambulance PI-PO	SND04 Abandon Alarm	SND06 High Expansion	SND07 7 Short Pl. / 1 Long
8	0	0	0	SND02 Emergency WA-U	SND03 Ambulance PI-PO	SND04 Abandon Alarm	SND05 Machinery Fault	SND07 7 Short Pl. / 1 Long

※ You can select sound tones using the 3P switches located on the circuit board of the WS Type and WP Type products.

## • Standard sound combination for WM/ WA type products

ON = 1 / OFF = 0

13 sounds per combination can be selected according to your preference.  
8 combinations are available.

No.	1	2	3	Ch1	Ch2	Ch3	Ch4	Ch5
1	1	0	0	SND08 Sweet Home	SND09 For Elise	SND10 Cuckoo's Waltz	SND11 Piano Sonata	SND12 Turkish March
2	0	1	0	SND16 Beep Intermittent	SND17 Door Chime	SND18 Phone Ring	SND19 PI.PI.PI Short	SND20 Tripping Beat
3	1	1	0	SND08 Sweet Home	SND11 Piano Sonata	SND13 Magic Flute	SND17 Door Chime	SND19 PI.PI.PI Short
4	0	0	1	SND13 Magic Flute	SND14 Badinerie	SND15 Pine Apple Rag	SND08 Sweet Home	SND09 For Elise
5	1	0	1	SND10 Cuckoo's Waltz	SND11 Piano Sonata	SND17 Door Chime	SND18 Phone Ring	SND20 Tripping Beat
6	0	1	1	SND08 Sweet Home	SND12 Turkish March	SND16 Beep Intermittent	SND17 Door Chime	SND18 Phone Ring
7	1	1	1	SND08 Sweet Home	SND11 Piano Sonata	SND12 Turkish March	SND17 Door Chime	SND19 PI.PI.PI Short
8	0	0	0	SND11 Piano Sonata	SND12 Turkish March	SND13 Magic Flute	SND16 Beep Intermittent	SND18 Phone Ring

※ You can select sound tones using the 3P switches located on the circuit board of the WM Type and WA Type products.

# Pre-recorded Sound Tone and Sound Combination Chart

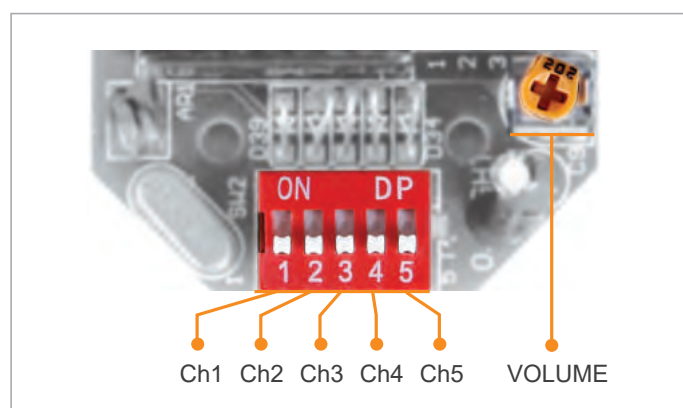
## ■ Sound tone combinations for standard type products

For standard type products, user can select from a variety of 5 pre-recorded sound combinations including 5 warning sounds, 5 special warning sounds, 5 melodies, 5 alarms, and 5 customizable sound.

	Sound Category	Channel	Sound Tone	Sound Combination #
WS	5 warning sounds	Ch1 Ch2 Ch3 Ch4 Ch5	Fire.A-ANG Emergency WA-U(Yelp) Ambulance PI-PO(Hi-low) Machinery Fault High Expansion	WS/ WP No.1
WP	5 special warning sounds	Ch1 Ch2 Ch3 Ch4 Ch5	Fire.A-ANG Abandon Alarm Machinery Fault High Expansion 7 Short Pl. / 1 Long	WS/ WP No.2
WM	5 melodies	Ch1 Ch2 Ch3 Ch4 Ch5	Sweet Home For Elise Cuckoo's Waltz Piano Sonata Turkish March	WM/ WA No.1
WA	5 alarms	Ch1 Ch2 Ch3 Ch4 Ch5	Beep Intermittent Door Chime Phone Ring PI.PI.PI Short Tripping Beat	WM/ WA No.2
WV	5 customizable sound	Ch1 Ch2 Ch3 Ch4 Ch5	<ol style="list-style-type: none"> <li>Voice messages are pre-recorded and provided from factory upon user's request</li> <li>Each channel has recording space for 16 sec</li> <li>5 channels available</li> <li>When only one channel is used, maximum recordable space is 80 sec</li> </ol>	-

※ Please refer to page144 for detailed information about selectable sound patterns.

## ■ Sound Selection of Signal Sounds



Standard specification : Use internal switches

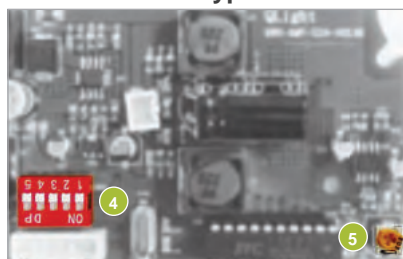
Turn on dip switches of each channel, designated sound will be played.

# Special Alarm Type Feature

## ■ How to set-up the special alarm type products

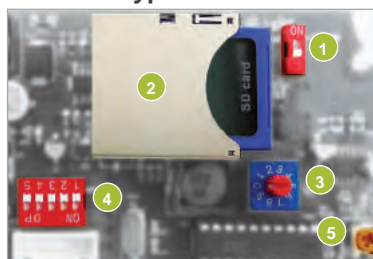
- A special alarm type products are classified into two models; basic model with special alarm and SDcard (MP3) model.
- The 2 models have 31 built-in sounds, which can be chosen and played by binary input method.
- When storing MP3 files on the SDcard (MP3) type models, you can select and play up to 31 sounds by using the binary input method. The bit input method can play 5 sound from #1 to #5, depending on the specifications given in the file name(For file specifications refer to Page144.)
- Includes eight play mode settings. For example, when the continuous playback setting/ function is selected the warning message is played continuously for conditions that require frequent playback.

### ■ Built-in sound type model



- 1 - 2 N/A
- 4 Sound select switch
- 5 Volume

### ■ SDcard type model



- 1 Sound setting switch
- 2 MP3 playable SDcard
- 3 Play mode setting switch
- 4 Sound select switch
- 5 Volume

\* Built-in sound type model can select and play 31 sounds by using the sound selection switch.

## ■ SDcard(MP3) type product feature

### 1 SOUND setting switch

- If the switch is ON the SDcard (MP3) will be played, and if the switch is OFF the built-in sounds will be played.

### 2 SDcards

- The SDcard is a compact flash memory card for storing MP3 files.
- After saving the MP3 files in the SDcard with the specified format, insert the card into the SDcard slot and switch the sound setting switch to ON so the sounds can be played from the SDcard.

### 3 PLAY MODE setting switch

- PLAY MODE setting switch is used to choose the channel input method or select various playing modes. Refer to the table below for switch features.
- Switch #0 and #9 is not used.

1	Bit Input Mode	5 sounds can be played from the selected group (choose one group from six groups) Play sound only once (if using sequential signal input or pulse signal input)
2	Binary Input Mode	Up to 31 sounds available for each model. Plays sound only once (sequential signal input only)
3	Bit Input Hold Playback Mode	5 sounds can be played from the selected group (choose one group from six groups) The sound is repeated if the input signal is maintained. (sequential signal input only) If the STOP signal is inputted, the sound is turned off, and if the STOP signal is disabled the sound is played repeatedly
4	Binary Input Hold Playback Mode	Up to 31 sounds available for each model The sound is repeated if the input signal is maintained. (sequential signal input only) If the STOP signal is inputted, the sound is turned off, and if the STOP signal is disabled the sound is played repeatedly
5	Bit Input Sound Reduction Mode	5 sounds can be played from the selected group (choose one group from six groups) You can reduce the volume(15dB) by using a separate volume reduction signal line (same as volume reduction signal input)
6	Binary Input Sound Reduction Mode	Up to 31 sounds available for each model You can reduce the volume(15dB) by using a separate volume reduction signal line (same as volume reduction signal input)
7	Bit Input Sequence Memory Playback Mode	5 sounds can be played from the selected group (choose one group from six groups) If the sound is inputted in a order, it will remember the order and play each sound about 3 seconds. The last input channel is fully played (bit input mode only)
8	Test Mode	In test mode, Ch1 of group is automatically played back repeatedly. To end the test mode, switch back to the other modes.

### 4 Channel selection switch

- By using 5 channel selection switches, one can choose the appropriate sound source depending on the Binary input and Bit input.

### 5 VOLUME

- You can adjust the speakers sound output by using the volume dial.



# Sound Pattern and Combination for Special Alarm Type

## ■ Sound pattern for special alarm type

- Special alarm type product has 31 pre-recorded sound tones.
- Supports binary input mode. 5ch switch allows for 31 sound tones.

## • Composition of binary input mode

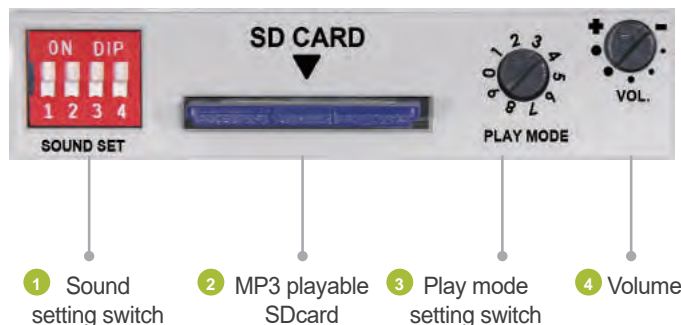
ON = 1 / OFF = 0						Left channel switch allows for choosing 31 sound tones. Channel switch will be substituted for an external wiring in case of LC type products.	
ON OFF	Ch1	Ch2	Ch3	Ch4	Ch5		
No.	1	2	3	4	5	Sound tone	Frequency
0	0	0	0	0	0	No sound	
1	0	0	0	0	1	Rel rel rel	730Hz-920Hz
2	0	0	0	1	0	Slow Ambulance PI-PO	820Hz-1.05kHz
3	0	0	0	1	1	Oit Oit warning sound	360Hz-1.56kHz
4	0	0	1	0	0	Emergency WA-U(Yelp)	770Hz-1.2kHz
5	0	0	1	0	1	Pi- buzzer	770Hz
6	0	0	1	1	0	7 Short PI. / 1 Long	715Hz
7	0	0	1	1	1	Pi o Pi o	940Hz-2.19kHz
8	0	1	0	0	0	Phone Ring	740Hz-910Hz
9	0	1	0	0	1	Pi- buzzer	600Hz
10	0	1	0	1	0	Pi pi pi short	420Hz
11	0	1	0	1	1	Di o Di o 2 tones buzzer	600Hz-1.14kHz
12	0	1	1	0	0	Oit Oit warning sound	500Hz-1.11kHz
13	0	1	1	0	1	Slow Ambulance PI-PO	380Hz-470Hz
14	0	1	1	1	0	Slow Di o Di o	680Hz-840Hz
15	0	1	1	1	1	Fast Li o li o	380Hz-470Hz
16	1	0	0	0	0	Fire.A-ANG	770Hz-1.11kHz
17	1	0	0	0	1	Fast Ambulance PI-PO	680Hz-840Hz
18	1	0	0	1	0	Slow Ambulance PI-PO	650Hz-840Hz
19	1	0	0	1	1	Ri ro ri ro warning sound	420Hz-470Hz
20	1	0	1	0	0	Repeat Di-o 3 times	680Hz-840Hz
21	1	0	1	0	1	Fire.A-ANG	500Hz-1kHz
22	1	0	1	1	0	Ambulance PI-PO	680Hz-840Hz
23	1	0	1	1	1	Slow Fire.A-ANG	480Hz-1.14kHz
24	1	1	0	0	0	Pi-pi- buzzer low frequency	690Hz
25	1	1	0	0	1	Pi-pi- buzzer high frequency	950Hz
26	1	1	0	1	0	Di-di- buzzer high frequency	800Hz
27	1	1	0	1	1	Di-di- buzzer low frequency	500Hz
28	1	1	1	0	0	Rising Po-ong	500Hz-1.2kHz
29	1	1	1	0	1	Fast Ambulance PI-PO	825Hz-1.07kHz
30	1	1	1	1	0	Rising frequency	150Hz-1kHz
31	1	1	1	1	1	Repeat A-ANG	1.4kHz-1.56kHz

# Multifunctional Type Feature

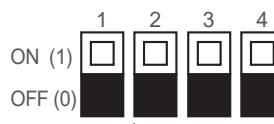
## ■ How to set up the multifunctional products(MP3)

- Multifunctional type products can play MP3 sounds by using an SDcard and can also play WS (5 Warning sounds), WP (5 special warning sounds 1<sup>st</sup> Group), WM (5 Melodies), WA (5 Alarms), WO (5 special warning sounds 2<sup>nd</sup> Group), and WN (5 special warning sounds 3<sup>rd</sup> Group) when not using a SDcard.
- Includes seven different functions. For example, it is able to playback the message continuously with the continuous playback function for warning message that needs to be repeated often.

## ■ Function setting



### 1 Sound setting switch



#### Group Choice in Bit Input Mode

- 001 : WS (5 Warning sounds)
- 010 : WP (5 special warning sounds 1<sup>st</sup> Group)
- 011 : WM (5 Melodies)
- 100 : WA (5 Alarms)
- 101 : WO (5 special warning sounds 2<sup>nd</sup> Group)
- 110 : WN (5 special warning sounds 3<sup>rd</sup> Group)

#### Sound Selection

- 0 : Built-in sound
- 1 : SDcard(MP3)

- #1 switch from the sound setting switch is for selecting Built-in sound/ SDcard
- #2 – #4 switch is for selecting a group of sound incase you have selected bit input mode

### 2 SDcards

- The SDcard is a compact flash memory card for storing MP3 files.
- After saving the MP3 files in the SDcard with the specified format, insert the card into the SDcard slot and switch the sound setting switch to ON so the product will be able to play sounds from the SDcard.

### 3 PLAY MODE setting switch

- PLAY MODE setting switch is used to choose the channel input method or select various play modes. Refer to the table below for switch features.
- Switch #0 and #9 is not used.

1	Bit Input Mode	5 sounds can be played from the selected group (choose one group from six groups) Play sound only once (if using sequential signal input or pulse signal input)
2	Binary Input Mode	Up to 30 sounds available for each model. Plays sound only once (sequential signal input only)
3	Bit Input Hold Playback Mode	5 sounds can be played from the selected group (choose one group from six groups) The sound is repeated if the input signal is maintained. (sequential signal input only) If the STOP signal is inputted, the sound is turned off, and if the STOP signal is disabled the sound is played repeatedly
4	Binary Input Hold Playback Mode	Up to 30 sounds available for each model The sound is repeated if the input signal is maintained. (sequential signal input only) If the STOP signal is inputted, the sound is turned off, and if the STOP signal is disabled the sound is played repeatedly
5	Bit Input Sound Reduction Mode	5 sounds can be played from the selected group (choose one group from six groups) You can reduce the volume(15dB) by using a separate volume reduction signal line (same as volume reduction signal input)
6	Binary Input Sound Reduction Mode	Up to 30 sounds available for each model You can reduce the volume(15dB) by using a separate volume reduction signal line (same as volume reduction signal input)
7	Bit Input Sequence Memory Playback Mode	5 sounds can be played from the selected group (choose one group from six groups) If the sound is inputted in a order, it will remember the order and play each sound about 3 seconds . The last input channel is fully played (bit input mode only)
8	Test Mode	In test mode, Ch1 of group is automatically played back repeatedly. To end the test mode, switch back to the other modes.

### 4 VOLUME

- You can adjust the speakers sound output by using the volume dial.

# Sound Pattern and Combination for Multifunctional Product

## ■ Sound patterns for multifunctional products

- Multifunctional product has 30 pre-recorded sound tones.
- 30 sound tones in binary input mode supported. Bit input mode has 5 sound tones within 1 group among 6 groups.

## • Bit input mode's sound tone combinations

		ON = 1 / OFF = 0													
		Ch1	Ch2	Ch3	Ch4	Ch5	Left channel switch allows to select 5 tons individually within designated group. (For group selection, please refer to page 140 "How to set-up the multifunctional products") Channel switch will be substituted for external wiring in case of LC type products.								
ON		<input type="checkbox"/>	<input type="checkbox"/>	<input type="checkbox"/>	<input type="checkbox"/>	<input type="checkbox"/>									
OFF		<input type="checkbox"/>	<input type="checkbox"/>	<input type="checkbox"/>	<input type="checkbox"/>	<input type="checkbox"/>									
Sound	Ch	Sound Tone					Sound	Ch	Sound Tone						
WS	5 Warning Sounds	Ch1	Fire.A-ANG(560Hz-1.5kHz)					WA	5 Alarms	Ch1	Beep Intermittent				
		Ch2	Emergency WA-U(Yelp)(600Hz-1.5kHz)							Ch2	Door Chime				
		Ch3	Ambulance PI-PO(Hi-low)(450Hz-900Hz)							Ch3	Phone Ring				
		Ch4	Machinery Fault(820Hz)							Ch4	PI.PI.PI Short				
		Ch5	High Expansion(1kHz)							Ch5	Tripping Beat				
WP	5 Special Warning Sounds (1 <sup>st</sup> Group)	Ch1	Fire.A-ANG(560Hz-1.5kHz)					WO	5 Special Warning Sounds (2 <sup>nd</sup> Group)	Ch1	Rel rel rel(730Hz-920Hz)				
		Ch2	Abandon Alarm(820Hz)							Ch2	Slow Ambulance PI-PO(820Hz-1.05kHz)				
		Ch3	Machinery Fault(820Hz)							Ch3	Wye yong Wye yong(770Hz-1.2kHz)				
		Ch4	High Expansion(1kHz)							Ch4	Phone ring 2(740Hz-910Hz)				
		Ch5	7 Short Pl. / 1 Long(1kHz)							Ch5	Fire.A-ANG(770Hz-1.11kHz)				
WM	5 Melodies	Ch1	Sweet Home					WN	5 Special Warning Sounds (3 <sup>rd</sup> Group)	Ch1	Oit Oit(500Hz-1.11kHz)				
		Ch2	For Elise							Ch2	Pi o Pi o(940Hz-2.19kHz)				
		Ch3	Cuckoo's Waltz							Ch3	Slow Di o Di o(680Hz-840Hz)				
		Ch4	Piano Sonata							Ch4	Li long Li ling(420Hz-470Hz)				
		Ch5	Turkish March							Ch5	911 Siren(500Hz-1kHz)				

## • Binary input mode's sound tone combinations

		ON = 1 / OFF = 0											
		Ch1	Ch2	Ch3	Ch4	Ch5	Left channel switch allows the user to select from 30 available sound tones. Channel switch will be substituted for external wiring in case of LC type products.						
ON		<input type="checkbox"/>	<input type="checkbox"/>	<input type="checkbox"/>	<input type="checkbox"/>	<input type="checkbox"/>							
OFF		<input type="checkbox"/>	<input type="checkbox"/>	<input type="checkbox"/>	<input type="checkbox"/>	<input type="checkbox"/>							
No.	1	2	3	4	5	Sound tone	Frequency						
0	0	0	0	0	0	No sound							
1	0	0	0	0	1	Fire.A-ANG	560Hz-1.5kHz						
2	0	0	0	1	0	Emergency WA-U(Yelp)	600Hz-1.5kHz						
3	0	0	0	1	1	Ambulance PI-PO(Hi-low)	450Hz-900Hz						
4	0	0	1	0	0	Pi-ik Pi-ik	820Hz						
5	0	0	1	0	1	Machinery Fault	820Hz						
6	0	0	1	1	0	High Expansion	1kHz						
7	0	0	1	1	1	Alarm	1kHz						
8	0	1	0	0	0	Sweet Home	-						
9	0	1	0	0	1	For Elise	-						
10	0	1	0	1	0	Cuckoo's Waltz	-						
11	0	1	0	1	1	Piano Sonata	-						
12	0	1	1	0	0	Turkish March	-						
13	0	1	1	0	1	Magic Flute	-						
14	0	1	1	1	0	Badinerie	-						
15	0	1	1	1	1	Pineapple Rag	-						
16	1	0	0	0	0	Beep Intermittent	-						
17	1	0	0	0	1	Door Chime	-						
18	1	0	0	1	0	Phone Ring	-						
19	1	0	0	1	1	PI.PI.PI Short	-						
20	1	0	1	0	0	Tripping Beat	-						
21	1	0	1	0	1	Rel rel rel	730Hz-920Hz						
22	1	0	1	1	0	Slow Ambulance PI-PO	820Hz-1.05kHz						
23	1	0	1	1	1	Wye yong Wye yong	770Hz-1.2kHz						
24	1	1	0	0	0	Phone ring 2	740Hz-910Hz						
25	1	1	0	0	1	Fire.A-ANG	770Hz-1.11kHz						
26	1	1	0	1	0	Oit Oit	500Hz-1.11kHz						
27	1	1	0	1	1	Pi o Pi o	940Hz-2.19kHz						
28	1	1	1	0	0	Slow Di o Di o	680Hz-840Hz						
29	1	1	1	0	1	Li long Li ling	420Hz-470Hz						
30	1	1	1	1	0	911 Siren	150Hz-1kHz						

# How to Use a MP3 Type Product

MP3-type models have 30 or 31 built-in alarm sounds and the users can play their voice messages or music files(MP3). You can choose two methods for playing up to 31 sounds with the binary input method. While the bit input method can only play 5 sounds from #1 to #5.

## ■ What is a MP3?

- MP3 is a audio compression technology(Audio layer-3) design by MPEG (Motion Picture Experts Group)  
MP3 (MPEG-1 Audio Layer-3) is a standard technology and format for compressing a sound sequence into a very small file while preserving the original level of sound quality when it is played.
- Extension of the MP3 file can be found as “\*.mp3”, and any voice message, alarm message, and music can be played and saved as MP3 files.

## ■ What is a SDcard?



SD memory card is a compact flash memory card for storing various data such as MP3s or document files, Models with MP3 features can save voice messages or alarm messages in the SDcard.

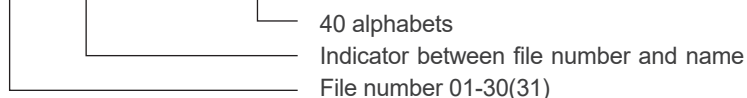
\* SDcard sold separately.

## Saving a MP3 file

- MP3 file can be saved and played in accordance with the standards specified by filename.
- Using binary input method according to the specifications given in the file name, a SDcard which is used in special alarm type models(MP3) can save up to 31 sounds, multifunctional type models can save and play up to 30 sounds.
- Using bit input method according to the specifications given in the file name, you can select and play up to five sounds from the MP3 file.

### User-defined sound(MP3) type

23 \_ For Elise .mp3



[Example]

- 01\_Fire alarm.mp3
- 02\_Emergency alarm.mp3
- 03\_For Elise.mp3
- ...
- 30\_Cuckoo Waltz.mp3

## Binary input and Bit input method

Special alarm type models and multifunctional type models are divided into Binary input method or Bit input method depending on the source selection method.

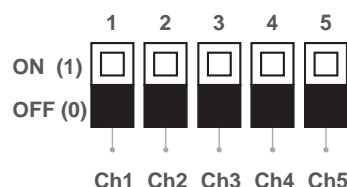
### ■ Binary input

ON = 1 / OFF = 0

	1	2	3	4	5
ON	<input type="checkbox"/>	<input type="checkbox"/>	<input type="checkbox"/>	<input type="checkbox"/>	<input type="checkbox"/>
OFF	<input type="checkbox"/>	<input type="checkbox"/>	<input type="checkbox"/>	<input type="checkbox"/>	<input type="checkbox"/>
No.	1	2	3	4	5
0	0	0	0	0	0
1	0	0	0	0	1
2	0	0	0	1	0
:	:	:	:	:	:
31	1	1	1	1	1

You can only show 2 numbers with 1 switch “0”, “1”. With 5 switches you can have 31 combinations. Selecting one sound from 5 switches is the Binary input method.

### ■ Bit input



The Bit input method only recognizes one of the 5 switches at a time. This method doesn't support two inputs at once. The number of combinations is small, but it is much more convenient to remember the channel number.

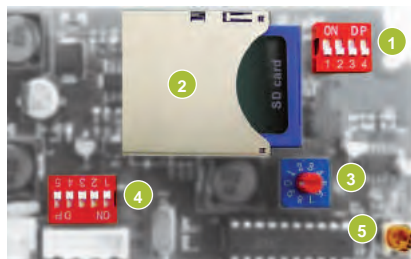


# How to Use a MP3 Type Product

## ■ MP3 supported model basic description

- MP3 supported products can play 30-31 built-in sounds or MP3 files saved in an SDcard.
- Binary input method can play up to 30 - 31 sounds, and Bit input method can play 5 sounds in accordance with the standards specified by filename.
- Can choose and play 5 sounds from #1 to #5.

<Switch select type>

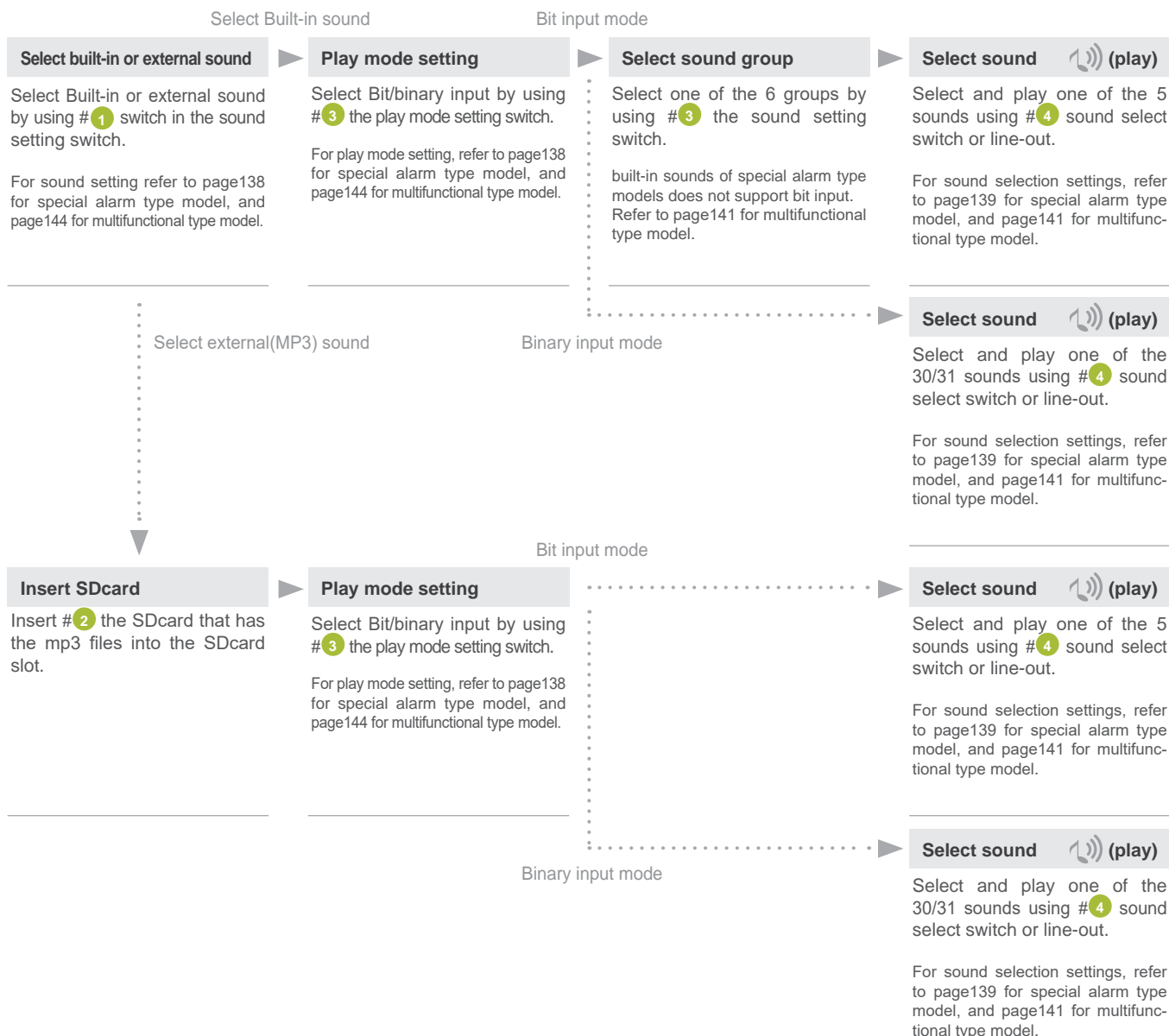


<Line-out type>



- 1 Sound setting switch
- 2 MP3 playable SDcard
- 3 Play mode setting switch
- 4 Sound select switch
- 5 Volume

## ■ How to set-up a MP3 type product



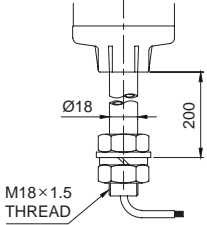


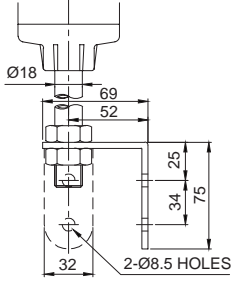

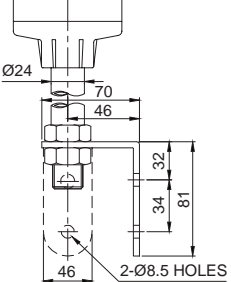


# Tower Light Mounting Brackets

## Tower Light Mounting Brackets



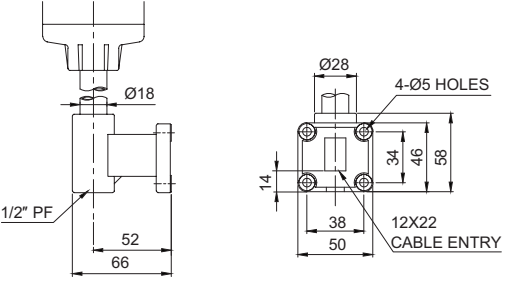


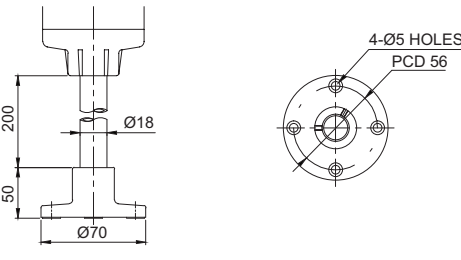

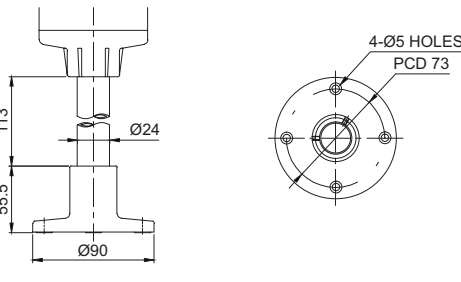
User can select from a variety of mounting brackets options depending on their application conditions.

(Units : mm)

Features	Product Image	Technical Diagram for Applicable Models
<p>Standard type pole mount installation. There is a screw at the end of the pole and it is equipped with nut for installation.</p> <p>Material : Steel</p> 	 <p>18mm SCREW &amp; NUT (Standard Type)</p>	 <p>ST45B, ST45BF, ST45L, ST45LF, ST56B, ST56BF, ST56L, ST56LF, ST56EL, ST56ELF, STC45L, STC56EL, STC56L, QT50L, QT50LF, QT50LS, QT50LR, STG40L, STG40LF, STG50L, STG50LF, ST45L-ETN, ST56EL-ETN, ST56L-ETN, ST45L-USB, ST56EL-USB, ST56L-USB</p>
<p>L-type bracket is attached to the pole mount tower light for installation to the side of the equipment.</p> <p>Material : Steel</p> 	 <p>LB18</p>	 <p>ST45B, ST45BF, ST45L, ST45LF, ST56B, ST56BF, ST56L, ST56LF, ST56EL, ST56ELF, ST56WL, STC45L, STC56EL, STC56L, QT50L, QT50LF, QT50LS, QT50LR, STG40L, STG40LF, STG50L, STG50LF, ST45L-ETN, ST56EL-ETN, ST56L-ETN, ST45L-USB, ST56EL-USB, ST56L-USB</p>
	 <p>LB24</p>	 <p>ST80B, ST80BF, ST80L, ST80LF, ST80EL, ST80ELF, STC80L, STC80LF, STC80EL, STC80ELF, QT70L, QT70LF, QT70LS, QT70LR, ST80EL-ETN, ST80L-ETN, ST80EL-USB, ST80L-USB</p>



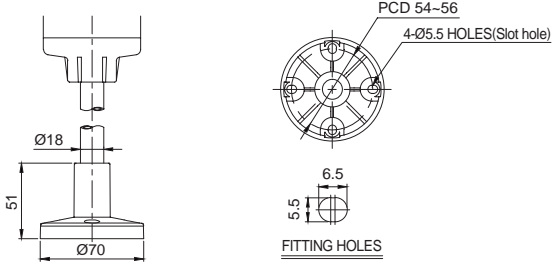


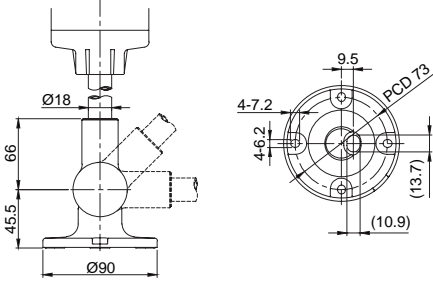

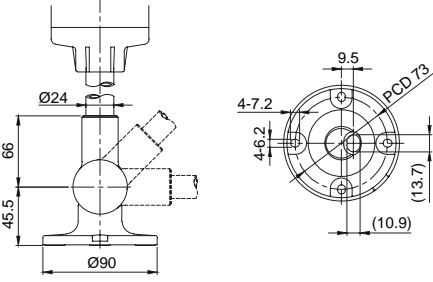
# Tower Light Mounting Brackets

(Units : mm)

Features	Product Image	Technical Diagram for Applicable Models
<p>High-end L-type bracket is attached to the pole mount tower light for side of equipment installations. Wires can be threaded through the side of the bracket or come out at the bottom. The threads inside the bottom of the bracket can enable use of cable connectors.</p> <p>Material : PC Color : Ivory</p> 	 <p>LW18</p>	 <p>ST45B, ST45BF, ST45L, ST45LF, ST56B, ST56BF, ST56L, ST56LF, ST56EL, ST56ELF, STC45L, STC56EL, STC56L, QT50L, QT50LF, QT50LS, QT50LR, STG40L, STG40LF, STG50L, STG50LF</p>
<p>Round-shaped bracket for horizontal surface installation.</p> <p>Material : Al Color : Silver</p> 	 <p>SZ18</p>	 <p>ST45B, ST45BF, ST45L, ST45LF, ST56B, ST56BF, ST56L, ST56LF, ST56EL, ST56ELF, STC45, STC56EL, STC56L, QT50L, QT50LF, QT50LS, QT50LR, STG50L, STG40LF, STG50L, STG50LF</p>
	 <p>SZ24</p>	 <p>ST80B, ST80BF, ST80L, ST80LF, ST80EL, ST80ELF, STC80L, STC80LF, STC80EL, STC80ELF, QT70L, QT70LF, QT70LS, QT70LR</p>

# Tower Light Mounting Brackets

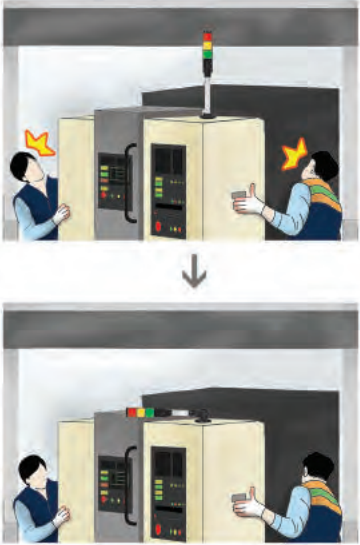

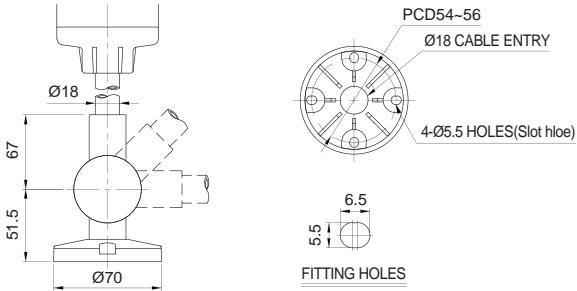


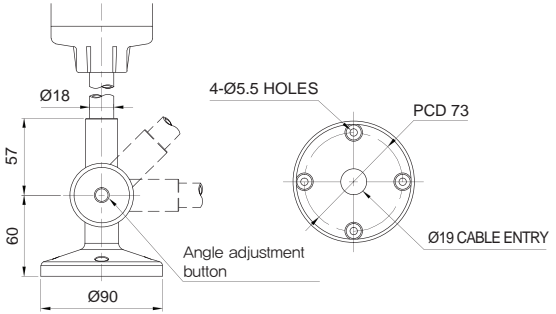


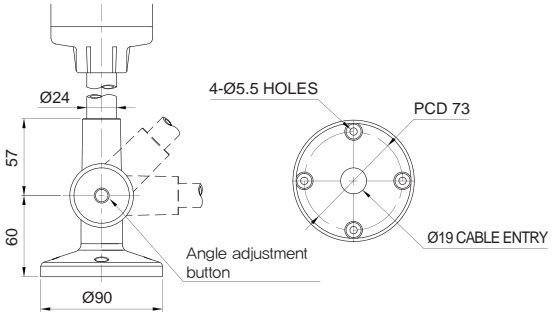
(Units : mm)

Features	Product Image	Technical Diagram for Applicable Models
<p>Round-shaped bracket for horizontal surface installation.</p> <p>Material : PC Color : Black</p> 	 <p>QZ18</p>	 <p>ST45B, ST45BF, ST45L, ST45LF, ST56B, ST56BF, ST56L, ST56LF, ST56EL, ST56ELF, STC45L, STC56EL, STC56L, QT50L, QT50LF, QT50LS, QT50LR, STG40L, STG40LF, STG50L, STG50LF</p>
<p>A angle adjustable bracket (15 degree intervals for a range of 0-180 degrees) enables easy vertical, horizontal, and slanted installation.</p> <p>Material : Al Color : Silver</p> 	 <p>SL18</p>	 <p>ST45B, ST45BF, ST45L, ST45LF, ST56B, ST56BF, ST56L, ST56LF, ST56EL, ST56ELF, STC45L, STC56EL, STC56L, QT50L, QT50LF, QT50LS, QT50LR, STG40L, STG40LF, STG50L, STG50LF</p>
	 <p>SL24</p>	 <p>ST80B, ST80BF, ST80L, ST80LF, ST80EL, ST80ELF, STC80L, STC80LF, STC80EL, STC80ELF, QT70L, QT70LF, QT70LS, QT70LR</p>



# Tower Light Mounting Brackets

(Units : mm)



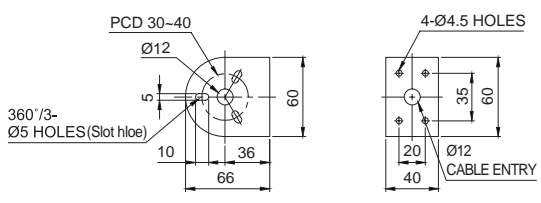

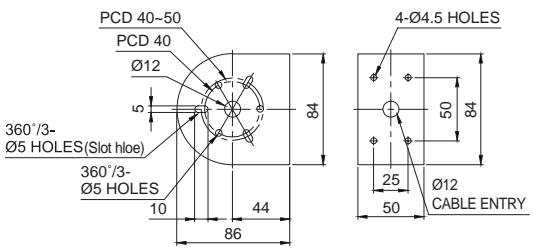


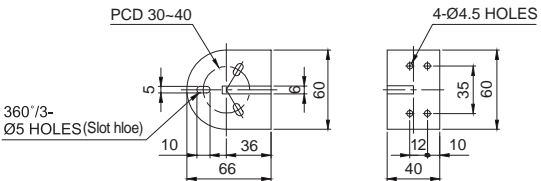

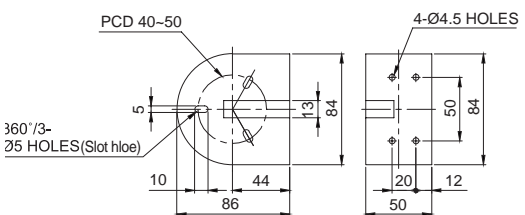
Features	Product Image	Technical Diagram for Applicable Models
<p>A angle adjustable bracket (5 degree intervals for a range of 0-180 degrees) enables easy vertical, horizontal, and slanted installation.</p> <p>Material : PC Color : Black</p> 	 <p>QL18</p>	 <p>ST45B, ST45BF, ST45L, ST45LF, ST56B, ST56BF, ST56L, ST56LF, ST56EL, ST56ELF, STC45, STC56EL, STC56L, QT50L, QT50LF, QT50LS, QT50LR, STG40L, STG40LF, STG50L, STG50LF</p>
<p>QLA bracket is angle-adjustable with the adjustment button located on the side. It enables 3 angle adjustments at 0, 45, 90 degrees.</p> <p>Material : PC Color : Black</p> 	 <p>QLA18</p>	 <p>ST45B, ST45BF, ST45L, ST45LF, ST56B, ST56BF, ST56L, ST56LF, ST56EL, ST56ELF, STC45, STC56EL, STC56L, QT50L, QT50LF, QT50LS, QT50LR, STG40L, STG40LF, STG50L, STG50LF, STG40L, STG40LF, STG50L, STG50LF</p>
	 <p>QLA24</p>	 <p>ST80B, ST80BF, ST80L, ST80LF, ST80EL, ST80ELF, STC80L, STC80LF, STC80EL, STC80ELF, QT70L, QT70LF, QT70LS, QT70LR</p>

# Warning/ Signal Light Mounting Brackets

## Bracket instructions for warning/ signal lights


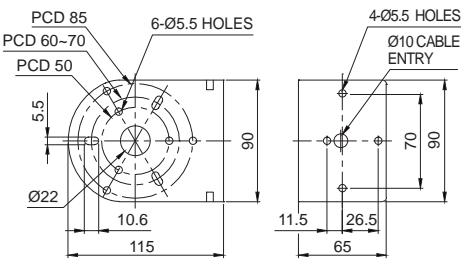

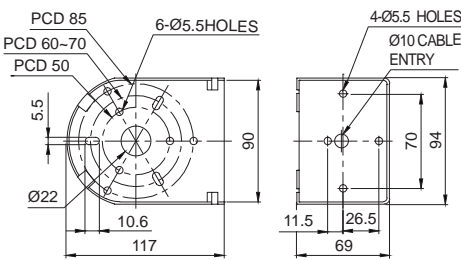
User can select from a variety of bracket options depending on their application conditions.

(Units : mm)

Features	Product Image	Technical Diagram for Applicable Models
<p>Bracket options for direct mount warning/ signal light installation.</p> <p>Material : Steel</p> 	 <p>TWS45</p>	 <p>S50B, S50L, S60R, S60LR, S60L, MFL60</p>
	 <p>TWS80</p>	 <p>S80R, S80RLR, S80U, S80LR, S80L, S80S, S80SOL, MFL80, SMCL80, QMCL80</p>
<p>Bracket options for direct mount warning/ signal light installation.</p> <p>Bracket structure allows for contained and tidy wiring with no exposed wires.</p> 	 <p>TWA45</p>	 <p>S50B, S50L, S60R, S60LR, S60L, MFL60</p>
	 <p>TWA80</p>	 <p>S80R, S80RLR, S80U, S80LR, S80L, S80S, S80SOL, MFL80, SMCL80, QMCL80</p>

# Warning/ Signal Light Mounting Brackets

(Units : mm)

Features	Product Image	Technical Diagram for Applicable Models
<p>Bracket options for direct mount warning/ signal light installation.</p> <p>Material : Steel Color : Ivory</p>	 <p style="text-align: center;">SWP125</p>	 <p>S100R, S100E, S100RLR, S100UR, S100URLR, S100U, S100UA, S100LR, S100L, S100S, S125R, S125E, S125RL, S100D, S125D, STDL, STNDL, STND100, STND125</p>
<p>Bracket options for direct mount warning/ signal light installation</p> <p>Bracket structure allows for contained and tidy wiring with no exposed wires.</p> <p>Material : PC Color : Ivory</p>	 <p style="text-align: center;">SWM125</p>	 <p>S100R, S100E, S100RLR, S100UR, S100URLR, S100U, S100UA, S100LR, S100L, S100S, S125R, S125E, S125RL, S100D, S125D, STDL, STNDL, STND100, STND125</p>

# Icon Description

This catalogue helps users quickly identify the product's specifications and features by using several types of icons. If you understand the concept for each icon, you will find it easy to understand the catalogue information.

## Light Source and Operating Mode Icons

Icon	Operating Mode	Icon	Operating Mode
	Bulb steady type		Bulb steady/flashing type
	Bulb revolving type		LED revolving type
	LED steady type		LED steady/ flashing type
	LED simulated revolving type		LED strobe type
	Xenon lamp strobe type		

## Acoustic Signal Icons

Icon	Operating Mode	Icon	Operating Mode
	Buzzer		Speaker
	Horn		Bell
	Motor siren		MP3
	Decibel		

## Specifications Icons

Icon	Operating Mode	Icon	Operating Mode
	Magnet type		Ambient operating temperature
	NPN type transistor		PNP type transistor
	IP rating		Wireless Network

## Detail Icons

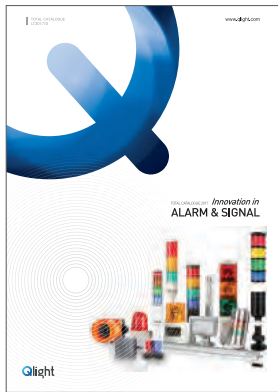
Icon	Operating Mode	Icon	Operating Mode
	Common specification		External view drawing
	Wiring		Mounting
	User specifications		Model selection



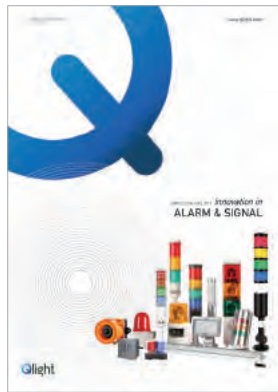
# Qlight Catalogue Introduction

Qlight produces a wide variety of product categories which offers the customer the ability to select the suitable device for their application needs and environments.

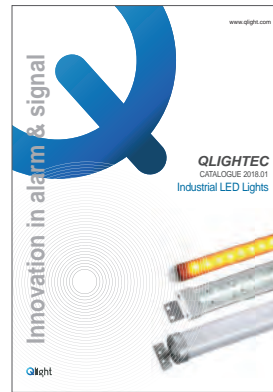
There are warning/signal lights, electric signal horns, signal tower lights, warning light bars, PC control tower lights, industrial LED lights, aviation obstruction lights, and limit switches.



Total Catalogue



Simple Catalogue



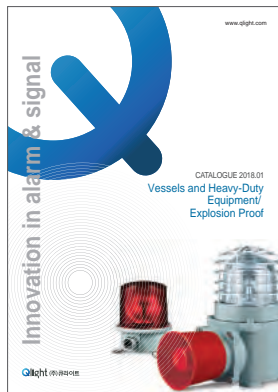
Industrial LED Lights



Signal Tower Lights



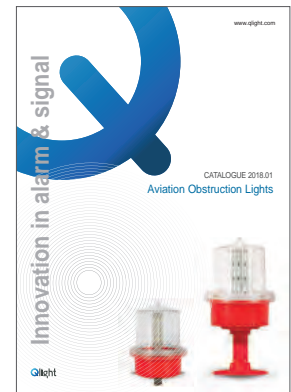
Warning/ Signal Electric Horn



Vessels and Heavy-Duty Signalings/ Explosion Proof



Warning Light Bar



Aviation Obstruction Lights



Wireless Network System



Agriculture Machine Warning Light



Limit Switch



For Steel Manufacturing Facilities



FOR YOUR SAFETY

Specification and dimensions listed in this catalogue are subject to change without prior notice for product quality improvement. The newest product information is available on our web site. (www.qlight.com) Please read the Instruction Manual attached to the product carefully before installation and use.

## ***Qlight Catalogue Introduction***

*Signal Tower Lights*

*Warning/ Signal & Electric Horn*

*Vessels and Heavy-Duty & Equipment/ Explosion Proof*

*Warning Light Bar*

*Aviation Obstruction Lights*

*Industrial LED Lights*

**Qlight Co., Ltd.** [www.qlight.com](http://www.qlight.com) | [trade@qlight.com](mailto:trade@qlight.com)

Head Office | Suite #1510, STX-V Tower, 128 Gasan digital 1-ro, Geumcheon-gu, Seoul, Korea Tel +82-2-2679-6152 Fax +82-2-2679-6154

Factory | 185-25, Mukbang-Ro, Sangdong-Myeon, Gimhae-si, Gyeongsangnamdo, Korea Tel. +82-55-328-1111 Fax : +82-55-328-4064

Qlight Overseas Sales Dept | 704 Nakdong-daero, Sasang-gu, Busan, Korea(Eomgung-Dong) Tel : +82-51-620-4100 Fax : +82-51-243-9826

Qlight Public Relations & Marketing Team Office | 704 Nakdong-daero, Sasang-gu, Busan, Korea(Eomgung-Dong) Tel : +82-51-245-0017

---

**Qlight USA, Inc.** [www.qlight.com](http://www.qlight.com) [www.qlightusa.com](http://www.qlightusa.com) | [sales@qlightusa.com](mailto:sales@qlightusa.com)

3003 North First Street, Suite #341, San Jose, CA 95134 USA Tel. +1-408-519-5740 Fax. +1-408-519-5739

---

**SHANGHAI Qlight Electronic Co., Ltd.** [www.qlight.com](http://www.qlight.com) [www.qlightcn.com](http://www.qlightcn.com) | [qlightcn@qlight.com](mailto:qlightcn@qlight.com)

China Factory/ Shanghai Sales Office | #19, Nanda Road, Baoshan Area, Shanghai, China Tel. +86-21-6651-7100 Fax. +86-21-6315-3929

# **Qlight**



WARNING LIGHT | ELECTRONIC HORN | SIGNAL TOWER LIGHT | EMERGENCY LIGHT BAR | LED OBSTRUCTION LIGHT | LED WORK LIGHT

## **GET IN TOUCH**

1300 881 876 [sales@pacificautomation.com.au](mailto:sales@pacificautomation.com.au)

[pacificautomation.com.au](http://pacificautomation.com.au)

NEW SOUTH WALES • QUEENSLAND • VICTORIA • WESTERN AUSTRALIA

# **PACIFIC** AUTOMATION