



INNOVATION IN ALARM & SIGNAL

World-Leading Provider of Visual and Audible Status Indicating Systems and Solutions

Pacific Automation are authorised Australian distributions for the Qlight range.

Qlight

PACIFIC
AUTOMATION

GET IN TOUCH

1300 881 876 sales@pacificautomation.com.au

NEW SOUTH WALES • QUEENSLAND • VICTORIA • WESTERN AUSTRALIA

pacificautomation.com.au

INNOVATION IN ALARM & SIGNAL

CONTENTS

04	Company Introduction / History
06	R&D Center / Explosion Proof Testing Laboratory
08	Explosion Proof Warning Lights
10	Heavy-Duty Warning Lights
14	Signal Tower Lights
18	Special Controllable USB Interface/ Ethernet Tower lights
20	Electric Horns
22	Warning Beacons for General Use
26	LED Light Bars/ Work Lights

INNOVATION IN ALARM & SIGNAL

World-Leading Provider of Visual and Audible Status Indicating Systems and Solutions

Qlight Gives You a Brighter Future!

Qlight has been a world-leading provider of visual and audible status indicating systems and solutions for the last three decades. We pride ourselves in developing products which help our customer's improvement, productivity, safety, and quality control in the industrial automation and commercial improve. Our strong dedication to innovative products, quality assurance, well-established supply chain, customizable manufacturing and strong customer relationships have helped us earn the top market share in Korea and China. These core values have also been fundamental to our continued growth into new markets. Qlight's products are certified by the International Quality management System (ISO9001), IECEx, ATEX, UL, CE, Lloyd, KIMM, and KOSHA which display our dedication to stringent quality control and product development based on safety-pursuing industry standards. Our assembly lines in Busan, South Korea and Shanghai, China presently provide a variety of more than 450 of products to more than 40 countries, based on sales offices in South Korea (Seoul, Busan) China (Shanghai, Shenzhen, Shenyang, Tianzhen, Tianjin, Wenzhou), and the U.S. (Silicon Valley). The Qlight brand reflects 30 years of research and development, certification, and manufacturing experience. We will continue to establish ourselves as a industry-leading provider by pushing the boundaries of technology in order to enhance our customer's efficiency and safety in every industry and region of the world.





Company History

QLight has been striving to accomplish our mission to provide visual and audible status indicating systems and solutions to enhance our customer's work safety and efficiency for the last three decades.

Future : Continued Growth and Globalization

QLight will continue to take our chances for the second growth and globalization to establish itself as the world-leading provider in the automation manufacturing industry.

• 2011-2016

New Engines of Growth

- Obtained UL certificate for LED Signal lights Q series
- Obtained UL certificate for LED Work light (QPL, QPLC200/300/400/500)
- The second headquarter factory built
- Obtained RMRS(Russian maritime Register of Shipping) certificates for three items including SW2TS limit switch
- Obtained UL certificates for LED work lights for QML150/250 and QMFL500/600
- Explosion Proof product family including SNE, SNES, SESA, SEA, SPNA acquired IECEx certificates
- ATEX (European certification of explosion proof) certificate acquired
- Venture company certificate acquired
- Technology innovation company (INNOBIZ) certificate acquired
- CCS (Chinese classification society) certificate acquired
- ICAO (International Civil Aviation Organization) certificate acquired
- Selected as a promising export company by the Small & medium Business Admin., Korea

• 2006 - 2010

A Great Leap Forward & Business Restructuring

- Established Research & Development Center
- ABS and Kimm explosion proof certificates acquired
- explosion proof Certificate from Korea Industrial Safety Health Agency acquired
- Obtained a patent for revolving bulb warning light
- Obtained a patent for LED rotating warning light
- NEPSI (National Supervision and Inspection Center for explosion Protection and Safety of Instrumentation) Certificate acquired
- Products applied in Hyundai motors factories in Beijing, India and Czech Republic
- Products applied in Hyundai motors factory automation equipments in Alabama- Products applied in highway Safety signal system of Korea Expressway Corp.
- UL Certificate for signal tower lights acquired

• 1993 - 2005

Growing as a Signal Transmission Device Specialist

- UL (Underwriters Laboratory) certificate acquired
- CE (conformity marking within European Economic Area) certificate acquired
- Lloyd's (UK's maritime classification society) certificate acquired
- 17 types of ABS (American classification society) certificates acquired
- ISO 9001 and 2000 certificates acquired
- Products applied in KIA motors automation equipment
- Products applied in kTx (Korea High Speed Rail) safety systems
- KR (Korean Register of Shipping) certificate acquired
- Nominated for developing domestic Explosion Proof warning lights by Korean Ministry of Science & Technology
- Established Shanghai QLight Electronic Co., Ltd. in China
- Established QLight Limited

• 1986 - 1992

Business Foundation and Consolidation

- Established in 1986
- Nominated as the Company for development of Domestic Explosion-Proof Warning Light by Korean Ministry of Science & Technology
- Established Shanghai QLight Electronic Co., Ltd. in China
- Quality Assurance Company Certificate acquired

Qlight Creative / Precision / Quality

R&D Center

Qlight's R&D Laboratory continually strives to enhance our technology in the areas of product miniaturization, unmanned operation, and strengthened durability in order to develop products that can satisfy our customer's sophisticated needs. Considering our customer's diverse operational conditions, we constantly pursue the best product quality by testing and measuring our products under the most extreme conditions. We achieve our high quality through standardized processes acknowledged by world-leading certificate organizations such as UL, CE, ATEX, IECEx and etc.

Research Achievements

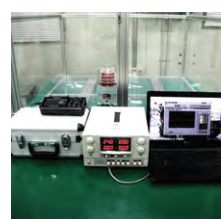
- 01 Interchangeable layer type tower lights
- 02 Warning light globes applying optical-path direction lighting system
- 03 Floodlight with high efficiency LED for inspecting cracks in industrial sites and industrial machinery
- 04 A lens that helps deliver the LED's light in the lateral direction, and bulbs applying this lens (LR-transparent)
- 05 High intensity LED revolving warning lights applying multi-directional reflector
- 06 Explosion Proof electric horns applying sintered flame arrester
- 07 Brushless DC Motor
- 08 Rotors applying V-belt drive, featuring high energy efficiency and minimized noise
- 09 Multiple color LED warning lights
- 10 Signal lights applying LED bulbs as light source
- 11 Solar powered warning lights
- 12 Direct-drive warning lights
- 13 Special driving gear for revolving warning lights
- 14 LED Bulb applying special lens
- 15 Warning lights for heavy industry applying multi lens system
- 16 Signal horns embedded in the enclosure body that functions as a light source
- 17 LED work light bars specifically designed for machine tools with IP69K protection rating

Explosion Proof Testing Laboratory

To maximize our efficiency in developing products within market driven timelines, Qlight has invested our own explosion proof test facilities in order to quickly develop new technologies and conduct pre-certification testing.

The pre-certification testing follows the strict IEC 60079-0, IEC 60079-1 standards to ensure our quality and smooth certification process when submitted to universal standards bodies.

Process of Explosion Proof Testing



MAXIMUM SURFACE TEMPERATURE MEASUREMENT

- DATA LOGGER
- CONSTANT TEMP & HUMIDITY CHAMBER

Step 01



TEST FOR THERMAL SHOCK & THERMAL ENDURANCE TO HEAT

- CONSTANT TEMP & HUMIDITY CHAMBER

Step 02



TEST OF RESISTANCE TO IMPACT

- IMPACT TEST EQUIPMENT

Step 03



AERATION MEASUREMENT

- DIGITAL MICROSCOPE

Step 04



REFERENCE PRESSURE MEASUREMENT & TEST FOR FLAME SPREAD

- EXPLOSION CHAMBER
- GAS MIX CYLINDER
- GAS ANALYZER
- BLASTING MACHINE
- GAS MIX TUBE

Step 05



PRESSURE TEST

- WATER PRESSURE TESTER

Step 06

Explosion Proof Warning Lights

Applications for potentially explosive gas and dust atmospheres and harsh environmental conditions



SESA

Explosion proof warning light and electric horn combination



Product Specifications

- Dimensions
 - Cage ≈ Ø167mm
 - Depth ≈ 327mm
 - Height ≈ 333mm
- Sound Volume - Max.118dB
- Materials
 - Body : Die Cast Al
 - Lens : Hard Glass
- Operating Voltages
 - DC12V, 24V, AC110V, 220V
- Protection Rating - Exd II C T6 IP66
- Cable Entry - 1/2"NPT, 3/4"NPT, M20

SNES

Compact and lightweight explosion proof warning light with built-in buzzer



Product Specifications

- Dimensions
 - Cage ≈ Ø152mm
 - Depth ≈ 189mm
 - Height ≈ 226mm
- Sound Volume - Max.105dB
- Materials
 - Body : Die Cast Al
 - Lens : Hard Glass
- Operating Voltages
 - DC12V, 24V, AC110V, 220V
- Protection Rating - Exd II C T6 IP66
- Cable Entry - 1/2" NPT, M20

SEA

Explosion proof warning light with enhanced long-distance visibility and excellent luminance



Product Specifications

- Dimensions
 - Cage ≈ Ø167mm
 - Depth ≈ Ø172mm
 - Height ≈ 287mm
- Materials
 - Body : Die Cast Al
 - Lens : Hard Glass
- Operating Voltages
 - DC12V, 24V, AC110V, 220V
- Protection Rating - Exd II C T6 IP66
- Cable Entry - 1/2"NPT, 3/4"NPT, M20

SNE

Economical and lightweight explosion proof warning light



Product Specifications

- Dimensions
 - Cage ≈ Ø152mm
 - Depth ≈ 189mm
 - Height ≈ 226mm
- Materials
 - Body : Die Cast Al
 - Lens : Hard Glass
- Operating Voltages
 - DC12V, 24V, AC110V, 220V
- Protection Rating - Exd II C T6 IP66
- Cable Entry - 1/2"NPT, M20

SPNA

High decibel explosion proof electric horn with a variety of built-in sounds



Product Specifications

- Horn Dimension \approx \varnothing 134mm
- Length \approx 327mm
- Sound Volume - Max.118dB
- Materials
- Body : Die Cast Al
- Horn : SUS316L
- Operating Voltages
- DC12V, 24V, AC110V, 220V
- Protection Rating - Exd II C T6 IP66
- Cable Entry - 1/2"NPT, 3/4"NPT, M20

SEBA

Explosion proof warning light and alarm bell combination



Product Specifications

- Dimensions
- Cage \approx \varnothing 167mm
- Depth \approx 240mm
- Height \approx 333mm
- Sound Volume - Max.95dB
- Materials
- Body : Die Cast Al
- Lens : Hard Glass
- Bell Housing : Al
- Operating Voltages
- DC12V, 24V, AC110V, 220V
- Protection Rating - Exd II C T6 IP55
- Cable Entry - 1/2"NPT, 3/4"NPT, M20

QEAL1

Economical and compact low intensity aviation obstruction light- explosion proof and pressure resistant



Product Specifications

- Dimensions
- Cage \approx \varnothing 152mm
- Depth \approx 189mm
- Height \approx 226mm
- Materials
- Lens : Hard Glass
- Body : Die Cast Al
- Light Pattern - Steady LED Light
- Operating Voltages
- DC12V, 24V, AC110V, 220V
- Protection Ratings - Exd II C T4, IP66
- Cable Entry - 1/2"NPT, M20

QEAL2

Low intensity aviation obstruction light for general use featuring excellent long-distance visibility



Product Specifications

- Dimensions
- Cage \approx \varnothing 167mm
- Depth \approx \varnothing 172mm
- Height \approx 287mm
- Materials
- Lens : Hard Glass
- Body : Die Cast Al
- Light Pattern - Flashing LED Light
- Operating Voltages
- DC12V, 24V, AC110V, 220V
- Protection Ratings - Exd II C T4, IP66
- Cable Entry - 1/2"NPT, M20

QTEX, QTEXB

Explosion proof LED tower lights with protection rating of Exd II C T6 Gb, suitable for potentially flammable and hazardous explosive environments



Product Specifications

- Dimensions \approx \varnothing 144mm
- Height \approx 472mm
- Materials
- Lens : Hard Glass
- Body : Al
- Buzzer - Max.80dB
- Operating Voltages
- DC12V, 24V, AC110V, 220V
- Protection Type
- Ex d IIC T6 Gb, IP66
- Protection Rating - IP66
- Cable Entry : 3/4" NPT

ST45ML-Ex, STB45ML-Ex

Explosion proof LED signal towers, suitable for environments with high possibility of fire and explosion



Product Specifications

- Dimensions \approx \varnothing 45mm
- Height \approx 114-317mm
- Buzzer - Max.80dB
- Materials
- Lens : PC
- Body : PC
- Ex Under Body : Al
- Operating Voltages - DC12V, 24V
- Protection Type - Ex nR II T4
- Protection Ratings - IP54

Heavy-Duty Warning Lights

Applications for vessels, offshore rigs, petrochemical industries, and harsh environmental conditions



QA70HLS

LED warning light particularly designed for industrial vehicles and agricultural machines



Product Specifications

- Dimensions ≈ Ø72mm
- Height ≈ 108mm
- Materials
 - Lens : PC
 - Body : ABS+GF
- Flash Rate - 45-55 fpm
- Operating Voltage - DC12V-24V
- Protection Rating - IP66

QA115HLS, QA115HLSP

High-intensity LED strobe lights featuring excellent light efficiency with special light diffusion lens



Product Specifications

- Dimensions
 - Lens ≈ Ø107mm
 - Body ≈ Ø150mm
- Height
 - Standard ≈ 112 mm
 - Pole Type ≈ 325mm
- Materials
 - Lens : PC
 - Housing : PC
- Flashes Rate - 45-55 fpm
- Operating Voltage
 - DC12-24V
- Protection Rating - IP66

QA125HLS, QA125HLSP

High-intensity LED strobe lights with excellent light efficiency with special light diffusion lens



Product Specifications

- Dimensions ≈ Ø123 diameter
- Height
 - Standard ≈ 125mm
 - Pole Type ≈ 321mm
- Materials
 - Lens : PC
 - Housing : PC
- Flashes Rate - 60-80 fpm
- Operating Voltage
 - DC12-24V
- Protection Rating - IP66

QA140HLSP

Power LED strobe light applying Qlight's exclusive energy efficient light dispersing lens system – suitable for heavy industries



Product Specifications

- Dimensions ≈ Ø140mm
- Height ≈ 325mm
- Pole - 80mm, Ø24mm
- Materials
 - Lens : PC
 - Body : PC
- Flash Rate - 60-80 fpm
- Operating Voltages - DC12V, 24V
- Protection Rating - IP66

SH1

Heavy-duty warning light with superior long-distance visibility and durability for vessels and offshore applications



Product Specifications

- Dimensions
 - Lens ≈ Ø119mm
 - Body ≈ Ø136mm
 - Height ≈ 178mm
- Materials
 - Body : Die Cast Al
 - Lens : PC
- Operating Voltages
 - DC12V, 24V, AC110V, 220V
- Protection Rating - IP66
- Cable Entry - 1/2"PF

SH1T

Heavy-duty warning light featuring a terminal box for easy wiring and repair, suitable for harsh environment conditions



Product Specifications

- Dimensions
 - Lens ≈ Ø119mm
 - Body ≈ Ø136mm
 - Height ≈ 178mm
 - Length ≈ 234mm
- Materials
 - Body : Die Cast Al
 - Lens : PC
- Operating Voltages
 - DC12V, 24V, AC110V, 220V
- Protection Rating - IP66
- Cable Entry - 1/2"PF

SH2

Large warning light with enhanced visibility, particularly suitable for large vessels and offshore rigs



Product Specifications

- Dimensions
 - Lens ≈ Ø137mm
 - Body ≈ Ø154mm
 - Height ≈ 210mm
- Materials
 - Body : Die Cast Al
 - Lens : PC
- Operating Voltages
 - DC12V, 24V, AC110V, 220V
- Protection Rating - IP66
- Cable Entry - 1/2"PF

SH2T

Large warning light featuring a terminal box attached for easy wiring and repair, particularly suitable for large vessels



Product Specifications

- Dimensions
 - Lens ≈ Ø137mm
 - Body ≈ Ø154mm
 - Height ≈ 210mm
 - Length ≈ 250mm
- Materials
 - Body : Die Cast Al
 - Lens : PC
- Operating Voltages
 - DC12V, 24V, AC110V, 220V
- Protection Rating - IP66
- Cable Entry - 1/2"PF

SHD

Heavy-duty warning light and electric horn combination with aluminum housing



Product Specifications

- Lens Dimensions ≈ Ø119mm
- Height ≈ 237mm
- Length ≈ 255mm
- Sound Volume - Max.118dB
- Materials
 - Body : Die Cast Al
 - Lens : PC
- Operating Voltages
 - DC12V, 24V, AC110V, 220V
- Protection Rating - IP66
- Cable Entry - 1/2"PF

SHD2

Heavy-Duty warning light and dual-facing electric horns combination with aluminum housing



Product Specifications

- Lens Dimensions ≈ Ø119mm
- Height ≈ 237mm
- Length ≈ 343mm
- Sound Volume - Max.118dB X 2
- Materials
 - Body : Die Cast Al
 - Lens : PC
- Operating Voltages
 - DC12V, 24V, AC110V, 220V
- Protection Rating - IP66
- Cable Entry - 1/2"PF

SCD

Special polycarbonate housed warning light and electric horn combination with enhanced sealing and durability for vessels and offshore rigs



Product Specifications

- Lens Dimensions ≈ Ø119mm
- Height
- SCDW ≈ 313mm, SCDF ≈ 322mm
- Depth
- SCDW ≈ 176mm, SCDF ≈ 167mm
- Sound Volume - Max.118dB
- Materials
- Body : PC + GF10%
- Lens : PC
- Operating Voltages
- DC12V, 24V, AC110V, 220V
- Protection Rating - IP66
- Cable Entry - 1/2"PF

SED

Wall mount Ø125mm warning light and electric horn combination with terminal box attached



Product Specifications

- Lens Dimensions ≈ Ø119mm
- Height ≈ 380mm
- Depth ≈ 175mm
- Sound Volume - Max.118dB
- Materials
- Body : Die Cast Al
- Lens : PC
- Operating Voltages
- DC12V, 24V, AC110V, 220V
- Protection Rating - IP66
- Cable Entry - 1/2"PF

SD

Wall mount Ø150mm warning light and electric horn combination with terminal box attached



Product Specifications

- Lens Dimensions ≈ Ø138mm
- Height ≈ 410mm
- Depth ≈ 175mm
- Sound Volume - Max.118dB
- Materials
- Body : Die Cast Al
- Lens : PC
- Operating Voltages
- DC12V, 24V, AC110V, 220V
- Protection Rating - IP66
- Cable Entry - 1/2"PF

SMD

Wall mount Ø150mm warning light and electric horn combination with terminal box attached, perfect for extremely noisy and harsh environments



Product Specifications

- Lens Dimensions ≈ Ø138mm
- Height ≈ 462mm
- Depth ≈ 210mm
- Sound Volume - Max.120dB
- Materials
- Body : Die Cast Al
- Lens : PC
- Operating Voltages
- DC12V, 24V, AC110V, 220V
- Protection Rating - IP66
- Cable Entry - 1/2"PF

SC

Customizable product - warning light and electric horn combination



Product Specifications

- SC1
- Width ≈ 150mm
- Depth ≈ 200mm
- Height ≈ 287mm
- SC2
- Width ≈ 174mm
- Depth ≈ 232mm
- Height ≈ 312mm
- SC3
- Width ≈ 244mm
- Depth ≈ 292mm
- Height ≈ 381mm

SSL

LED signal lights for container spreaders which provides excellent durability to extreme vibration and shock



Product Specifications

- Lens Dimensions ≈ Ø93mm
- Height ≈ 180-615mm
- Depth ≈ 43mm
- Materials
- Lens : PC
- Body : Al
- Operating Voltages
- DC12V, 24V, AC110V, 220V
- Protection Rating - IP68
- Cable Entry - M12-5PIN connector

QWH35, QWH35SD, QWH50, QWH50SD

Wall mount smart electric horn embedded in the enclosure body, provides 31 variety of built-in sounds with 30 variety of SD card supported sounds



Product Specifications

- Dimensions
- 168X222mm
- Depth ≈ 163mm
- Materials
- Body Cover : ABS
- Body : ABS
- Horn Cover : PC
- Volume - Max.123dB
- Operating Voltages
- DC12V,24V,AC110V-220V
- Protection Rating - IP66
- Cable Entry - Ø21

SN

Small electric horn, features superior durability with steel housing



Product Specifications

- Horn Dimension ≈ Ø119mm
- Length ≈ 167mm
- Body material - Steel
- Sound Volume - Max.105dB
- Operating Voltages
- DC12V, 24V, AC110V, 220V
- Protection Rating - IP55

SEHN50

Heavy-duty electronic siren with steel housing - Excellent for long-distance transmission of sounds in noisy environments



Product Specifications

- Horn Dimension ≈ Ø167mm
- Length ≈ 242mm
- Materials
- Horn : Steel
- Body : Steel
- Sound Volume - Max.120dB
- Operating Voltages
- DC12V, 24V, AC110V, 220V
- Protection Rating - IP55

SANA200, SANA400, SANA700

Lightweight air horn with polycarbonate housing, corrosion resistant



Product Specifications

- Horn Length
- SANA200 ≈ 333mm
- SANA400 ≈ 193mm
- SANA700 ≈ 144mm
- Materials
- Horn : PC
- Body : ABS
- Operating Voltages
- DC24V, AC110V, 220V
- Protection Rating - IP56
- Cable Gland - 20C

SEWN30

Water, dust, and corrosion resistant – suitable for harsh environment conditions such as the steel, ship, and outdoor plant facilities



Product Specifications

- Horn Dimension ≈ Ø120mm
- Length ≈ 175mm
- Materials
- Horn : PC, SUS316L
- Body : Die Cast Al
- Sound Volume - Max.118dB
- Operating Voltages
- DC12V, 24V, AC110V, 220V
- Protection Rating - IP56
- Cable Entry : 1/2"PF

SEWN50

Water and dust proof product with high volume sound, suitable for vessels, heavy industrial areas, and noisy environments



Product Specifications

- Horn Dimension ≈ Ø172mm
- Length ≈ 208mm
- Materials
- Horn : SUS316L
- Body : Die Cast Al
- Sound Volume - Max.120dB
- Operating Voltages
- DC12V, 24V, AC110V, 220V
- Protection Rating - IP56
- Cable Entry : 1/2"PF

Signal Tower Lights

Applications for semiconductor manufacturing facilities, robotic production lines, and remote monitoring systems



STA25SLM

Ø25mm super slim LED tower light which provides excellent visibility by using a high brightness LED with a special diffusion lens



Product Specifications

- Dimensions ≈ Ø25mm
- Height ≈ 368-488mm
- Materials
 - Body : Al
 - Lens : AS
- Operating Voltages
 - DC12V, 24V, AC110V, 220V
- Protection Rating
 - IP44

STA35SL, STA35SLM

Ø35mm slim LED tower light which provides excellent visibility by using a high brightness LED with a special diffusion lens



Product Specifications

- Dimensions ≈ Ø35mm
- Height
 - STA35SL ≈ 85-265mm
 - STA35SLM ≈ 205-385mm
- Materials
 - STA35SL - Body : ABS, Lens : AS
 - STA35SLM - Body : Al, Lens : AS
- Operating Voltages
 - DC12V, 24V, AC110V, 220V
- Protection Rating
 - IP44

STA45SLM, STA45SLMP

Ø45mm slim LED tower light which provides excellent visibility by using a high brightness LED with a special diffusion lens



Product Specifications

- Dimensions ≈ Ø45mm
- Height
 - STA45SLM ≈ 198-378mm
 - STA45SLMP ≈ 398-568mm
- Materials
 - Body : Al - Lens : AS
- Operating Voltages
 - DC12V, 24V, AC110V, 220V
- Protection Ratings
 - IP23(with Buzzer)
 - IP44(without Buzzer)

QT56HEX

Hexagon shaped metal housing, excellent impact resistance with use of die casted housing



Product Specifications

- Dimensions ≈ Ø45mm
- Height ≈ 397mm
- Materials
 - Lens : PC
 - Housing : Al
 - Mounting bracket : Al
- Operating Voltage
 - DC24V
- Protection Ratings
 - IP23(with Buzzer)
 - IP44(without Buzzer)

ST45B, ST56B, ST80B

Bulb steady/flashing tower lights which adopts a light bulb with excellent durability and longevity



Product Specifications

- Dimensions
 - ST45B \approx \varnothing 45mm
 - ST56B \approx \varnothing 56mm
 - ST80B \approx \varnothing 80mm
- Materials
 - Body : ABS - Lens : AS - Pole : Al
- Buzzer - Max.90dB
- Flash Rate - 60-80 fpm
- Operating Voltages
 - DC12V, 24V, AC110V, 220V
- Protection Ratings
 - Built-in Buzzer type : IP23
 - Without Buzzer : IP44

ST56EL, ST80EL

LED signal towers, suitable for semiconductor manufacturing facilities, robotic production lines, and remote monitoring systems



Product Specifications

- Dimensions
 - ST56EL \approx \varnothing 56mm
 - ST80EL \approx \varnothing 80mm
- Materials
 - Body : ABS - Lens : AS
 - Pole : Al
- Buzzer - Max.90dB
- Flash Rate - 60-80 fpm
- Operating Voltages
 - DC12V, 24V, AC110V, 220V
- Protection Ratings
 - With Built-in Buzzer : IP23
 - Without Buzzer : IP44

ST45L, ST56L, ST80L

High intensity power LED signal towers with built-in alarm - can select between steady/flashing function



Product Specifications

- Dimensions
 - ST45L \approx \varnothing 45mm
 - ST56L \approx \varnothing 56mm
 - ST80L \approx \varnothing 80mm
- Materials
 - Body : ABS - Lens : AS - Pole : Al
- Buzzer - Max.90dB
- Flash Rate - 60-80 fpm
- Operating Voltages
 - DC12V, 24V, AC110V, 220V
- Protection Ratings
 - Built-in Buzzer type : IP23
 - Without Buzzer : IP44

ST45L-W, ST56L-W, ST80L-W

High intensity LED signal tower and electric horn combinations with 5 selectable sound patterns



Product Specifications

- Dimensions
 - ST45WL \approx \varnothing 45mm
 - ST56WL \approx \varnothing 56mm
 - ST80WL \approx \varnothing 80mm
- Materials
 - Body : ABS
 - Lens : AS
 - Pole : Al
- Sound Volume - Max.85dB
- Flash Rate - 60-80 fpm
- Operating Voltages
 - DC12V, 24V, AC110V, 220V
- Protection Rating - IP23

STC45, STC56, STC80

Multi-Color LED tower lights that can deliver two to three signals with one layer



Product Specifications

- Dimensions
 - STC45 \approx \varnothing 45mm
 - STC56 \approx \varnothing 56mm
 - STC80 \approx \varnothing 80mm
- Materials
 - Body : ABS - Lens : AS - Pole : Al
- Buzzer - Max.90dB
- Flash Rate - 60-80 fpm
- Operating Voltages
 - DC12V, 24V, AC110V, 220V
- Protection Ratings
 - Built-in Buzzer type : IP23
 - Without Buzzer : IP44

QT56MCL

High brightness LED steady tower light that can be configured with 7 colors in 1 unit



Product Specifications

- Dimensions \approx \varnothing 45mm
- Height \approx 397mm
- Materials
 - Lens : PC
 - Housing : Al
 - Mounting bracket : Al
- Operating Voltage
 - DC24V
- Protection Ratings
 - IP23(with Buzzer)
 - IP44(without Buzzer)

STG40, STG50

Layer re-arrangeable LED steady/flashing tower lights, vertical lens contact structure allows for easy assembly and layer re-arrangement



Product Specifications

- Dimensions
 - STG40 \approx \varnothing 40mm
 - STG50 \approx \varnothing 50mm
- Materials
 - Lens : AS
 - Body : ABS
 - Pole : Al
- Buzzer - Min. 50dB - Max. 85dB
- Flash Rate - 60-80 fpm
- Operating Voltages
 - DC12V, 24V, AC110V-220V
- Protection Ratings
 - Built-in Buzzer type : IP54
 - Without Buzzer : IP65

QTG50, QTG60, QTG70

LED steady/flashing tower lights featuring excellent far visibility with special color diffusion lens



Product Specifications

- Dimensions
 - QTG50 \approx \varnothing 50mm
 - QTG60 \approx \varnothing 60mm
 - QTG70 \approx \varnothing 70mm
- Materials
 - Lens : AS - Body : ABS
 - Pole : Al
- Buzzer - Min. 50dB - Max. 85dB
- Flash Rate - 60~80 fpm
- Operating Voltages
 - DC12V, 24V, AC110V~220V
- Protection Ratings
 - Built-in Buzzer type : IP54
 - Without Buzzer : IP65

QTC50, QTC60, QTC70

LED steady/flashing tower lights with separate color filter lens inside the outer lens helping provide a clear signal



Product Specifications

- Dimensions
 - QTC50 \approx \varnothing 50mm
 - QTC60 \approx \varnothing 60mm
 - QTC70 \approx \varnothing 70mm
- Materials
 - Lens : AS - Body : ABS
 - Pole : Al
- Buzzer - Min. 50dB - Max. 85dB
- Flash Rate - 60~80 fpm
- Operating Voltages
 - DC12V, 24V, AC110V~220V
- Protection Ratings
 - Built-in Buzzer type : IP54
 - Without Buzzer : IP65

QTR50, QTR60, QTR70

LED steady/flashing tower lights with milky translucent inner color filter providing comfortable viewing for the operator



Product Specifications

- Dimensions
 - QTR50 \approx \varnothing 50mm
 - QTR60 \approx \varnothing 60mm
 - QTR70 \approx \varnothing 70mm
- Materials
 - Lens : AS - Body : ABS
 - Pole : Al
- Buzzer - Min. 50dB - Max. 85dB
- Flash Rate - 60~80 fpm
- Operating Voltages
 - DC12V, 24V, AC110V~220V
- Protection Ratings
 - Built-in Buzzer type : IP54
 - Without Buzzer : IP65

SJ, SR

LED tower lights for small equipment applications



Product Specifications

- Dimensions
 - SJ \approx 95X95mm
 - SR \approx \varnothing 83mm
- Materials
 - Body : ABS
 - Lens : AS
 - Pole : Al
- Operating Voltages
 - DC12V, 24V, AC110V, 220V
- Protection Rating - IP44

QWT

Wall mount LED tower light that minimizes the chance of breakage from moving obstacles or personnel



Product Specifications

- Dimensions \approx \varnothing 70mm
- Height \approx 122~286mm
- Materials
 - Lens : PC
 - Cover : ABS
 - Body : ABS
- Buzzer - Max. 85 dB
- Flash Rate - 60~80 fpm
- Operating Voltages
 - DC12V, 24V, AC110V~220V
- Protection Rating - IP54

QT50L, QT70L

Modular LED signal tower
- interchangeable modules to customer specification



Product Specifications

- Dimensions
 - QT50L \approx \varnothing 50 / QT70L \approx \varnothing 70
- Materials
 - Lens : PC
 - Cover : ABS
 - Base Modular : PC
 - Pole : Al
- Flash Rate - 60~80 fpm
- Operating Voltages
 - DC12V, 24V, AC110V, 220V
- Protection Rating - IP65

QT50L-BZ, QT70L-BZ

Modular LED signal tower with built-in buzzer
- interchangeable modules to customer specification



Product Specifications

- Dimensions
 - QT50L-BZ \approx \varnothing 50 / QT70L-BZ \approx \varnothing 70
- Materials
 - Lens : PC
 - Cover : ABS
 - Base Modular : PC
 - Pole : Al
- Buzzer - Max.90dB
- Flash Rate - 60~80 fpm
- Operating Voltages
 - DC12V, 24V, AC110V, 220V
- Protection Rating - IP54

QT50L-W, QT70L-W

Modular LED signal tower and horn combination with
5 selectable sound patterns



Product Specifications

- Dimensions
 - QT50L-W \approx \varnothing 50mm
 - QT70L-W \approx \varnothing 70mm
- Materials
 - Lens : PC
 - Cover : ABS
 - Base Modular : PC
 - Pole : Al
- Speaker
- QT50L-W : 85dB, QT70L-W : 85dB
- Flash Rate - 60~80 fpm
- Operating Voltages - DC12V, 24V
- Protection Rating - IP54

QT56L-WN

Wireless controllable signal tower with
LED Steady, LED Flashing, LED Revolving Flashing,
LED Strobe light functions



Product Specifications

- Dimensions \approx \varnothing 50mm
- Materials
 - Lens : AS
 - Cover : ABS
 - Housing : ABS
- Type
 - LED Steady, LED Flashing, LED Revolving Steady, LED Strobe
- Buzzer : Max. 80dB
- Operating Voltages
 - DC12V, 24V, AC110V, 220V
- Protection Rating - IP65

SWT

Wall mount LED tower light - featuring enhanced
visibility with a special light diffusion filter that directly
radiates light to the user



Product Specifications

- Half-circle diameters \approx \varnothing 90mm
- Height \approx 216mm
- Depth \approx 46mm
- Materials
 - Lens : PC
 - Body : ABS
 - Cover : ABS
- Volume - Max.90dB
- Flash Rate - 60~80 fpm
- Operating Voltages
 - DC12V, 24V, AC110V, 220V
- Protection Rating - IP55

SWTC

Multi-color LED tower light with a large enclosure,
excellent visibility with a special light diffusing filter that
directly radiates light to the user



Product Specifications

- Half circle diameters \approx \varnothing 90mm
- Height \approx 216mm
- Depth \approx 46mm
- Materials
 - Lens : PC
 - Body : ABS
 - Cover : ABS
- Volume : 90dB
- Flash Rate - 60~80 fpm
- Operating Voltages
 - DC12V, 24V, AC110V, 220V
- Protection Rating - IP55

Special controllable USB Interface/ Ethernet Tower Lights

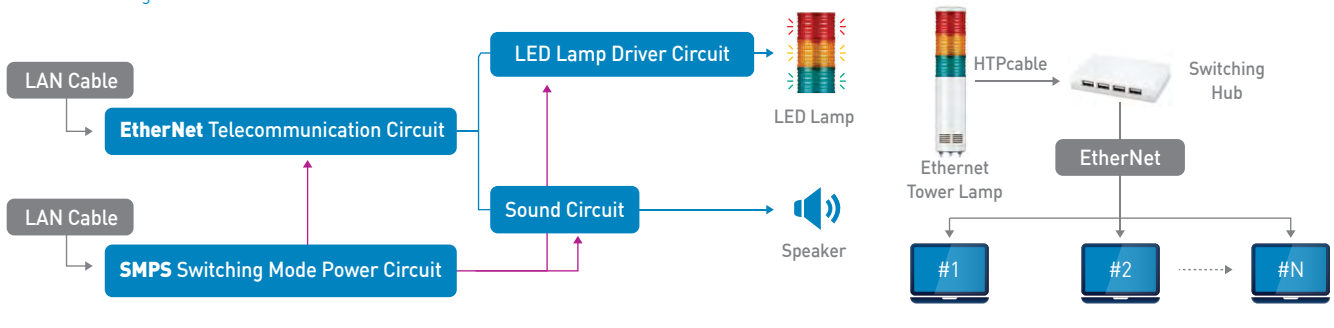
Ethernet LED signal tower connected and controlled by TCP/IP Ethernet communication through internet or LAN/USB interface LED signal tower powered by PC's USB port



Ethernet

What is Ethernet? Ethernet is one of the computer networking technologies for local area (LAN) and larger networks, which was standardized as IEEE (Institute of Electrical and Electronics Engineers) 802.3.

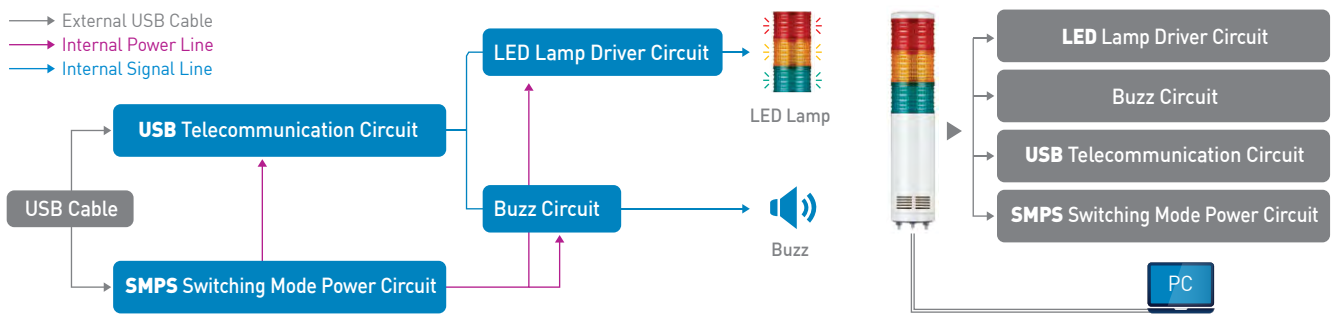
- External Power & LAN Cable
- Internal Power Line
- Internal Signal Line



USB

What is USB? USB is an industry standard that defines cables, connectors, and communication protocols used in bus between PCs and its peripherals. A single host controller of USB can connect to up to 127 devices without rebooting the connected PC or installation process.

- External USB Cable
- Internal Power Line
- Internal Signal Line



ST45L-USB, ST56EL-USB, ST80EL-USB

USB interface LED signal towers powered by PC's USB port



Product Specifications

- Dimensions
 - ST45L– USB ≅ Ø45mm
 - ST56EL– USB ≅ Ø56mm
 - ST80EL– USB ≅ Ø80mm
- Materials
 - Body : ABS
 - Lens : AS
 - Pole : Al
- Buzzer – Max.90dB
- Speaker – Max.85dB
- Flash Rate – 60~80 fpm
- Operating Voltage – USB DC 5V
- Protection Ratings – IP23

ST45L-ETN, ST56EL-ETN, ST80EL-ETN

Ethernet LED signal towers connected and controlled by TCP/IP Ethernet communication through internet or LAN



Product Specifications

- Dimensions
 - ST45L– ETN ≅ Ø45mm
 - ST56EL– ETN ≅ Ø56mm
 - ST80EL– ETN ≅ Ø80mm
- Materials
 - Body : ABS – Lens : AS
 - Pole : Al
- Buzzer – Max.90dB
- Speaker – Max.85dB
- Flash Rate – 60~80 fpm
- Operating Voltages
 - DC12V, 24V, AC110V, 220V
- Protection Rating – IP23

QT50L-USB, QT70L-USB

Modular LED signal tower remotely controlled and monitored through PC application program



Product Specifications

- Dimensions
 - QT50L– USB ≅ Ø50mm
 - QT70L– USB ≅ Ø70mm
- Materials
 - Lens : PC – Cover : ABS
 - USB Modular : PC – Pole : Al
- Buzzer, Speaker
 - QT50L– USB : 85dB
 - QT70L– USB : 90dB
- Flash Rate – 60~80 fpm
- Operating Voltage – USB DC 5V
- Protection Rating – IP54

QT50L-ETN, QT70L-ETN

Ethernet LED signal tower light controlled remotely through internet and LAN



Product Specifications

- Dimensions
 - QT50L– ETN ≅ Ø50mm
 - QT70L– ETN ≅ Ø70mm
- Materials
 - Lens : PC – Cover : ABS
 - ETN Modular : PC – Pole : Al
- Buzzer, Speaker
 - QT50L– ETN : 85dB
 - QT70L– ETN : 90dB
- Flash Rate – 60~80 fpm
- Operating Voltages – DC12V, 24V
- Protection Rating – IP54

STDEL-USB

USB controllable tower light and electric horn combination



Product Specifications

- Dimensions
 - Lens ≅ Ø80mm
 - Body ≅ Ø119mm
 - ST80EL– USB ≅ Ø80mm
- Materials
 - Body : ABS
 - Lens : AS
- Sound Volume – Max.105dB
- Flash Rate – 60~80 fpm
- Operating Voltages
 - DC12, 24V, AC110V, 220V
- Protection Rating – IP54

Electric Horns

Wide range of electric horns with clear and high volume for various purposes



SPK

Panel mount speaker that plays 8 clear and periodic sound tones



Product Specifications

- Dimension : 120X120mm
- Depth ≈ 75mm
- materials
 - Housing Cover : ABS
 - Housing : ABS
- Volume – Max.98dB
- Operating Voltages
 - DC12V, 24V, AC110V, 220V
- Protection Rating – IP23

QMPS

Panel mount multi-functional smart electric horn, provides 30 variety of pre-recorded sounds and SD card supported sounds



Product Specifications

- Dimensions : 120×120mm
- Depth ≈ 69mm
- Materials
 - Housing Cover : ABS
 - Housing : ABS
- Volume : Max. 98dB
- Operating Voltages
 - DC12–24V, AC110–220V
- Protection Rating – IP54

SRN

Economical, compact, and lightweight horn with high-volume sound



Product Specifications

- Horn Dimension ≈ Ø125mm
- Length ≈ 185mm
- Body material – ABS
- Sound Volume – Max.108dB
- Operating Voltages
 - DC12V, 24V, AC110V, 220V
- Protection Rating – IP55

SEN15/25

Electric horn with clear and high-volume sound, suitable for extremely noisy environments



Product Specifications

- Horn Dimension – 130X130mm
- Length ≈ 200mm
- Body material – ABS
- Sound Volume – Max.108dB/115dB
- Operating Voltages
 - DC12V, 24V, AC110V, 220V
- Protection Rating – IP55

S60ADH

Wall mount high buzzer horn with resonance structure realizes low power consumption and high sound tone



Product Specifications

- Horn Dimension ≈ Ø75mm
- Length ≈ 158mm
- Body material – ABS
- Sound Volume – Max.100dB
- Operating Voltages
 - DC12V, 24V, AC110V, 220V
- Protection Ratings – IP54

QAD80HC, QAD80BZC

Ø80mm wall mount smart electric horn (QAD80HC) / buzzer (QAD80BZC) with 30 variety of pre-recorded sounds



Product Specifications

- Dimensions ≈ Ø83mm
- Height ≈ 129mm
- Material
 - Housing : ABS
- Buzzer : Max. 105dB
- Electric Horn : Max. 100dB
- Operating Voltages
 - DC12V, 24V
- Protection Rating – IP65

QAD100HC, QAD100BZC

Ø100mm wall mount smart electric horn (QAD100HC) / buzzer (QAD100BZC) with 30 variety of pre-recorded sounds



Product Specifications

- Dimensions ≈ Ø97mm
- Height ≈ 137mm
- Material
 - Housing : ABS
- Buzzer : Max. 105dB
- Electric Horn : Max. 100dB
- Operating Voltages
 - DC12V~24V, AC110V~220V
- Protection Rating – IP65

QAD125HC, QAD125BZC

Ø125mm wall mount smart electric buzzer (QAD125HC) and electric horn(QAD125BZC) with 30 variety of pre-recorded sound binary input and SD card sound input supported



Product Specifications

- Dimensions ≈ Ø116mm
- Height ≈ 149mm
- Material
 - Housing : ABS
- Buzzer : Max. 105dB
- Electric Horn : Max. 115dB
- Operating Voltages
 - DC12V~24V, AC110V~220V
- Protection Rating – IP65

SMP35/ 50

Self-stand smart electric horn with max. sound input of 115dB/m (SMP35 type) and 123dB/m (SMP50 type) with 30 variety of pre-recorded sound binary input and SD card sound input supported



Product Specifications

- Dimensions ≈ 145×177mm
- Length ≈ 216mm
- Materials
 - Housing : ABS
 - Mount : STS
- Volume
 - SMP35 ≈ Max. 115dB
 - SMP50 ≈ Max. 123dB
- Operating Voltages
 - DC12~24V, AC110~220V
- Protection Rating – IP65

SN-1

Compact and economical electric horn with 1 warning sound and, for DC only



Product Specifications

- Horn Dimension ≈ Ø135mm
- Length ≈ 140mm
- Body material – Steel
- Sound Volume – Max.100dB
- Operating Voltages
 - DC12V, 24V
- Protection Rating – IP55

Warning Beacons for General Use

Applications for vehicles and road safety



S80NS

Ø80mm LED strobe signal light featuring superior visibility with special direct light distribution system



Product Specifications

- Dimensions ≈ Ø83mm
- Height ≈ 111mm
- Materials
 - Lens : PC
 - Body : ABS+GF
- Operating Voltage
 - DC12V-24V
- Protection Rating - IP66

S80SM

Powerful strobe light for emergency road safety – easy attachment and removal through use of a magnetic base mount



Product Specifications

- Dimensions ≈ Ø83mm
- Height ≈ 106mm
- Materials
 - Lens : AS
 - Body : ABS
- Operating Voltages
 - DC12V, 24V, AC110V, 220V
- Protection Rating - IP54

S80LS

LED strobe signal light specifically designed for fork lifts applications, features great visibility with special light diffusion system



Product Specifications

- Dimensions ≈ Ø83mm
- Height ≈ 106mm
- Materials
 - Lens : PC
 - Body : ABS
- Operating Voltage
 - DC12V-24V
- Protection Rating - IP65

S80ALR

Wall mount high intensity power LED warning light with an attractive cube-shaped globe



Product Specifications

- Dimensions ≈ Ø83mm
- Height ≈ 127mm
- Materials
 - Lens : AS
 - Body : ABS
- Operating Voltages
 - DC12V, 24V, AC110V, 220V
- Protection Rating - IP44

S60ADL

Lightweight and compact warning light with built-in buzzer, suitable for tight work environments



Product Specifications

- Dimensions
 - Lens \approx \varnothing 70mm
 - Body \approx \varnothing 75mm
 - Height \approx 233mm
- Volume - Max.100dB
- Materials
 - Lens : AS
 - Body : ABS
- Operating Voltages
 - DC12V, 24V, AC110V, 220V

QLV-1250/ 1150/ 885

Aerodynamic LED light bar suitable for high speed emergency vehicles



Product Specifications

- Dimensions
 - QLV1250 \approx 1250x300mm
 - QLV1150 \approx 1150x300mm
 - QLV885 \approx 885x300mm
- Height \approx 129mm
- Volume - Max.126dB
- Materials
 - Lens : PC
 - Board : Al
- Operating Voltage - DC12V
- Protection Rating - IP56

QMCL60/ 80/ 100/ 125

Multi-color LED steady signal lights with 7 color modes in one unit, milky translucent color when off, the subdued LED illuminates designated colors when on.



Product Specifications

- Dimensions
 - QMCL60 \approx \varnothing 69mm
 - QMCL80 \approx \varnothing 83mm
 - QMCL100 \approx \varnothing 97mm
 - QMCL125 \approx \varnothing 116mm
- Height
 - QMCL60 \approx 80mm
 - QMCL80 \approx 85mm
 - QMCL100 \approx 95mm
 - QMCL125 \approx 110mm
- Materials
 - Lens : AS - Body : ABS
- Buzzer : Max. 80dB
- Operating Voltages
 - DC12V, 24V
- Protection Rating - IP65

MFL60/ 80/ 100/ 125

Signal lights with multi-light functions of selectable steady/flashing, strobe, and simulated revolving mode in one unit, available in 4 different sizes



Product Specifications

- Dimensions
 - MFL60 \approx \varnothing 69mm
 - MFL80 \approx \varnothing 83mm
 - MFL100 \approx \varnothing 97mm
 - MFL125 \approx \varnothing 116mm
- Height
 - MFL60 \approx 100mm
 - MFL80 \approx 120mm
 - MFL100 \approx 136mm
 - MFL125 \approx 155mm
- Materials
 - Lens : PC - Body : ABS
- Buzzer : Max. 80dB
- Operating Voltages
 - DC12V-24V, AC110V-220V
- Protection Rating - IP65

SKM

Streamlined warning light suitable for emergency response vehicles



Product Specifications

- Dimensions \approx \varnothing 124mm
- Depth \approx 183mm
- Height \approx 138-142mm
- Materials
 - Lens : PC
 - Body : PC
- Operating Voltages - DC12V, 24V
- Protection Rating - IP54
- Power Line
 - IEC42(0.75sq) X 2P 2m

SKTLM, SKTLBM

Cube-shaped LED signal light for emergency response vehicles with superior outdoor visibility and durability



Product Specifications

- Dimensions \approx 105x105mm
- Height \approx 90mm
- Materials
 - Lens : PC
 - Housing : PC
- Buzzer : Max. 105dB
- Operating Voltages
 - DC12V, 24V
- Protection Rating - IP66

Q125LP

Standard size dome-shaped warning light, easy wall mount / pole mount application



Product Specifications

- Dimensions ≈ Ø125mm
- Height ≈ 171~313mm
- Materials
 - Lens : PC
 - Body : ABS
 - Pole : Al
- Operating Voltages
 - DC12V, 24V, AC110V, 220V
- Protection Rating – IP65

QWCD35, QWCD35SD, QWCD50, QWCD50SD

Qlight's innovative patent holding LED light emitting horn enclosures with max. sound input of 123dB, features tight seal and superior dust and water protection of IP66



Product Specifications

- Dimensions
 - QWCD35 ≈ 136×179mm
 - QWCD50 ≈ 168×222mm
- Materials
 - Horn : PC
 - Housing : ABS
- Volume
 - QWCD35 = Max. 115dB
 - QWCD50 = Max. 123dB
- Operating Voltages
 - DC12-24V, AC110-220V
- Protection Rating – IP66
- Cable Entry : Ø21

S100D

Ø100mm warning light and electric horn combination with both audible and visual signaling capability in one unit



Product Specifications

- Dimensions
 - Lens ≈ Ø101mm
 - Body ≈ Ø119mm
- Height ≈ 226mm
- Sound volume – Max. 105dB
- Materials
 - Lens : AS
 - Body : ABS
- Operating Voltages
 - DC12V, 24V, AC110V, 220V
- Protection Rating – IP54

S125D

Ø125mm compact signal light and electric horn combination with a variety of selectable sound patterns



Product Specifications

- Dimensions
 - Lens ≈ Ø115mm
 - Body ≈ Ø119mm
- Height ≈ 215mm
- Sound volume – Max. 105dB
- Materials
 - Lens : AS
 - Body : ABS
- Operating Voltages
 - DC12V, 24V, AC110V, 220V
- Protection Rating – IP54

STDL

Ø80mm tower light and horn combination with excellent luminance and high-volume sound



Product Specifications

- Dimensions
 - Lens ≈ Ø80mm
 - Body ≈ Ø119mm
- Height ≈ 233~513mm
- Sound volume – Max. 105dB
- Materials
 - Lens : AS
 - Body : ABS
- Operating Voltages
 - DC12V, 24V, AC110V, 220V
- Protection Rating – IP54

QWTD

Wall mount LED tower light and electric horn combination that minimizes the chance of breakage from moving obstacles and personnel



Product Specifications

- Dimensions ≈ Ø70mm
- Height ≈ 154~318mm
- Materials
 - Lens : AS
 - Housing : ABS
- Volume – Max. 85dB
- Flashes Rate – 60~80 fpm
- Operating Voltages
 - DC12V, 24V, AC110V~220V
- Protection Rating – IP54

QAD80H, QAD80BZ

Ø80mm dome-shaped signal LED light and smart electric horn (QAD80H) / high-volume buzzer (QAD80BZ) combinations



Product Specifications

- Dimensions ≈ Ø83mm
- Height ≈ 198mm
- Materials
 - Lens : PC
 - Housing : ABS
- Buzzer : Max. 105dB
- Electric Horn : Max. 100dB
- Flashes Rate – 60~80 fpm
- Operating Voltages
 - DC12V, 24V
- Protection Rating – IP65

QAD100H, QAD100BZ

Ø100mm dome-shaped signal LED light and smart electric horn (QAD100H) / high-volume buzzer (QAD100BZ) combinations



Product Specifications

- Dimensions ≈ Ø97mm
- Height ≈ 215mm
- Materials
 - Lens : PC
 - Housing : ABS
- Buzzer : Max. 105dB
- Electric Horn : Max. 100dB
- Flashes Rate – 60~80 fpm
- Operating Voltages
 - DC12V, 24V, AC110V~220V
- Protection Rating – IP65

QAD125H, QAD125BZ

Ø125mm dome-shaped signal LED light and smart electric horn (QAD125H) / high-volume buzzer (QAD125BZ) combinations



Product Specifications

- Dimensions ≈ Ø116mm
- Height ≈ 244mm
- Materials
 - Lens : PC
 - Housing : ABS
- Buzzer : Max. 105dB
- Electric Horn : Max. 115dB
- Flashes Rate – 60~80 fpm
- Operating Voltages
 - DC12V, 24V, AC110V~220V
- Protection Rating – IP65

STNDL

LED tower light and smart electric horn combination, provide 30 variety of pre-recorded sounds and SD card supported sounds



Product Specifications

- Dimensions
 - Lens ≈ Ø80mm
 - Body ≈ Ø119mm
- Height ≈ 267~547mm
- Sound volume – Max.105dB
- Materials
 - Lens : AS
 - Body : ABS
- Operating Voltages
 - DC12V, 24V, AC110V, 220V
- Protection Rating – IP54

STND100LR, STND100L, STND100R

Ø100mm LED warning light and smart electric horn combinations, provide 30 variety of pre-recorded sounds and SD card supported sounds



Product Specifications

- Dimensions
 - Lens ≈ Ø101mm
 - Body ≈ Ø119mm
- Height ≈ 261mm
- Sound volume – Max.105dB
- Materials
 - Lens : AS
 - Body : ABS
- Operating Voltages
 - DC12V, 24V, AC110V, 220V
- Protection Rating – IP54

STND125LR, STND125L, STND125R

Ø125mm LED warning light and smart electric horn combinations, provide 30 variety of pre-recorded sounds and SD card supported sounds



Product Specifications

- Dimensions
 - Lens ≈ Ø115mm
 - Body ≈ Ø119mm
- Height ≈ 250mm
- Sound volume – Max.105dB
- Materials
 - Lens : AS
 - Body : ABS
- Operating Voltages
 - DC12V, 24V, AC110V, 220V
- Protection Rating – IP54

LED Light Bars/ Work Lights

Applications for CNC machine, panel board and general industrial purposes



QWSL-150-K, QWSL-250-K

LED work light for general use – improves work efficiency



Product Specifications

- Length ≈ 150~250mm
- Luminance – 570~920Lux
- Materials
 - Lens : Tempered Glass
 - Body : Die Cast Al
- Operating Voltage – DC24V
- Protection Rating – IP67

QWHL-150-K, QWHL-250-K

High intensity LED work light – improves work accuracy and management efficiency



Product Specifications

- Length ≈ 150~250mm
- Luminance – 3,200~5,200Lux
- Materials
 - Lens : Tempered Glass
 - Body : Die Cast Al
- Operating Voltage – DC24V
- Protection Rating – IP67

QML-150-K, QML-250-K

Waterproof high intensity LED work light, resistant to oil, dust, and particles



Product Specifications

- Length ≈ 155mm~255mm
- Luminance – 620~890Lux
- Materials
 - Body : Die Cast Al
 - Diffuser Plate : PC
 - Lens : Chemical Tempered Glass
- Operating Voltages
 - DC24V, AC110V, 220V
- Protection Ratings – IP67 / IP69K

QMHL-150-MF, QMHL-250-MF

Waterproof high intensity LED work light with bracket attached - resistant to oil, dust, and particles



Product Specifications

- Length ≈ 155mm~255mm
- Luminance – 1,000~1,900Lux
- Materials
 - Body : Die Cast Al
 - Diffuser Plate : PC
 - Lens : Chemical Tempered Glass
- Operating Voltages
 - DC24V, AC110V, 220V
- Protection Ratings – IP67 / IP69K

QMFL-200/ 300/ 400/ 500/ 600

LED work light bars with translucent lens - high pressure and water resistant, suitable for factory machinery



Product Specifications

- Length ≈ 190mm~600mm
- Luminance – 200~650 Lux at 1m
- Materials
 - Body : AL
 - Cover : Die Cast Al
 - Diffuser Plate : PC
 - Lens : Chemical Tempered Glass
- Operating Voltages
 - DC24V, AC110V, 220V
- Protection Ratings – IP67 / IP69K

QMFHL-200/ 300/ 400/ 500/ 600

High intensity LED work light bars with transparent lens, water and high pressure resistant



Product Specifications

- Length ≈ 190~600mm
- Luminance – 460~2,300Lux at 1m
- Materials
 - Body : AL
 - Cover : Die Cast Al
 - Inner Lens : PC
 - Lens : Chemical Tempered Glass
- Operating Voltages
 - DC24V, AC110V, 220V
- Protection Ratings – IP67 / IP69K

QFL-200/ 300/ 400/ 500/ 600/ 1200

LED work light bars - provides enhanced luminance and high intensity light with low maintenance cost



Product Specifications

- Length ≈ 200~1,150mm
- Luminance – 120~1,200 Lux at 1m
- Materials
 - Lens : PC
 - Cover : Al
 - Heat Sink : Al
- Operating Voltages
 - DC24V, AC110V, 220V
- Protection Rating – IP67

QCML-200/ 300/ 400/ 500/ 600/ 900/ 1200/ 1500

LED work light bars - available in four lengths of 200mm, 300mm, 600mm, and 1200mm



Product Specifications

- Length ≈ 257~1,557mm
- Luminance – 85~550 Lux at 1m
- Materials
 - Body : PC
 - Cover : PC
 - Heat Sink : Al
- Operating Voltage – DC24V
- Protection Ratings – IP67 / IP69K

QPL200/ 300/ 400/ 500, QPHL200/ 300/ 400/ 500

High-end waterproof LED light bars - provides stable illumination intensity with low energy consumption



Product Specifications

- Length ≈ 200~500mm
- QPL Luminance
 - 50~215 Lux at 1m
- QPHL Luminance
 - 124~308 Lux at 1m
- Materials
 - Lens : PC
 - Cover : ABS
 - HeatSink : AL
- Operating Voltages
 - DC24V, AC110V, 220V
- Protection Class – IP65

QGL-200/ 300/ 400/ 500

LED light bars for general indoor use - color temperature provides a natural contrast most like sunlight



Product Specifications

- Length ≈ 200~500mm
- Luminance – 70~300 Lux at 1m
- Materials
 - Body : AL
 - Cover : ABS
 - Lens : PC
- Operating Voltages
 - DC24V, AC110V, 220V
- Protection Rating
 - Non-Waterproof



Qlight

INNOVATION in ALARM & SIGNAL
PRODUCT BROCHURE

Qlight Co.,Ltd. Headquarters www.qlight.com | qlightkr@qlight.com

BUSAN HEAD OFFICE / FACTORY

185-25, Mukbang-Ro, Sangdong-Myeon, Gimhae-Si, Gyeongsangnam-Do, Korea Tel. +82 . 55 . 328 . 4082 Fax. +82 . 55 . 328 . 4064

SEOUL OFFICE

A-412, 579 Kyungin-Ro, Guro-Gu, Seoul, Korea(Ansyng B/D, Shindorim-Dong) Tel. +82 . 2 . 2679 . 6152 Fax. +82 . 2 . 2679 . 6154

PUBLIC RELATIONS / MARKETING TEAM

Nakdong-daero, Sasang-gu, Busan, Korea(Qlight building, Eomgung-Dong) Tel. +82 . 51 . 245 . 0017 Fax. +82 . 51 . 243 . 9826

QLIGHT USA, Inc. www.qlight.com www.qlightUSA.com | sales@qlightusa.com

3003 North First Street, Suite #341, San Jose, CA 95134 USA Tel. +1 . 408 . 519 . 5740 Fax. +1 . 408 . 519 . 5739

Qlight China Corporation www.qlight.com www.qlightcn.com | qlightcn@qlight.com

SHANGHAI HEAD OFFICE / FACTORY

#19, Nanda Road, Baoshan Area, Shanghai, China Tel. +86 . 21 . 6651 . 7100 / 7200 / 7106 Fax. +86 . 21 . 6315 . 3929
www.qlight.com | www.qlightcn.com | qlightcn@qlight.com



FOR YOUR SAFETY

Specification and dimensions listed in this catalogue are subject to change without prior notice for product quality improvement.
The newest product information confirms from the web site (www.qlight.com)
Please read the Instruction Manual attached to the product carefully before installing and using.



GET IN TOUCH

1300 881 876 sales@pacificautomation.com.au

pacificautomation.com.au

NEW SOUTH WALES • QUEENSLAND • VICTORIA • WESTERN AUSTRALIA

PACIFIC
AUTOMATION