

## QNES Ø92mm Explosion Proof LED Signal/Warning Light and Electric Sounder Combination

**LED Steady/Flashing**  
Repeat operation of LED light on/off.

**LED Strobe**  
Short LED steady/flashing. Creates a xenon flashing effect by providing maximum electric current.

**LED Simulated Revolving/Flashing**  
LED flashes steadily around the cylindrical LED filaments which makes a simulated revolving effect.



- IP66
- RoHS
- 40 ~ +60°C
- 40 ~ +50°C
- HORN
- 115dB
- IECEX

Flame proof LED signal light that features **steady/flashing, strobe, and simulated revolving light functions in one unit.**



QNES

QNES-SUS

### SPECIFICATIONS (QNES/QNES-SUS/QNES-BS)

- Explosion-proof, multi-functional, compact LED signal light and electric sounder combination designed for use in explosive gas environments with Ex d IIC rating
- Features excellent shock and vibration resistance, maintenance significantly reduced with long-lasting LED light source
- Features superior durability with aluminum housing (QNES)
- Stainless housing provides superior durability and corrosion resistance (QNES-SUS)
- Fully enclosed structure with protection rating of IP66
- Housing standard color: Red, MUNSELL No. 7.5BG 7/2
- Cable entry: M20
- Sound volume: Max. 110dB at 1m
- Flashing rate(LF type): 60-80 flashes/min
- Strobe rate(LS type): 70-80 flashes/min
- Simulated revolving rate(LR type) : 120-140RPM
- Materials:-
  - Lens: Tempered glass      Protection cage: Stainless 316L
  - Inner lens: PC                      Housing: Aluminium (QNES)
  - Bracket: Stainless 304                      Stainless 316L (QNES-SUS)
- Certificates: ATEX, IECEX, KCs, NEPSI, CCC
- Protection rating: IECEX - Ex db IIC T5/T6 Gb, IP66
- Ambient operating temperature: -40°C ≤ Tamb ≤ +60°C(T5)  
-40°C ≤ Tamb ≤ +45°C(T6)

#### Instruction for Light Function Switch

ON=1 / OFF=0

Can select 4 different kinds of light functions with switch configuration



No.	1	2	Operation
0	0	0	LED Steady
1	0	1	LED Flashing
2	1	0	LED Strobe
3	1	1	LED Simulated revolving flashing

### GET IN TOUCH

1300 881 876      sales@pacificautomation.com.au  
[pacificautomation.com.au](http://pacificautomation.com.au)





## SPECIFICATIONS



### QNES Explosion Proof Signal/Warning Light and Electric Sounder Combination

Features superior durability with aluminum housing.

Model number	Voltage	Current	Sound pattern and volume	Certificates	Weight	Color
QNES	DC12V-24V	Max. 1.872A	<ul style="list-style-type: none"> <li>WS-5 Warning sounds: 110dB</li> <li>WP-5 Special warning sounds: 110dB</li> <li>WM-5 Melodies: 105dB</li> <li>WA-5 Alarms: 105dB</li> <li>WV-5 Customizable voices: 103dB</li> </ul>		3.15kg	Red Amber Green Blue
	AC110V-230V	Max. 0.301A				



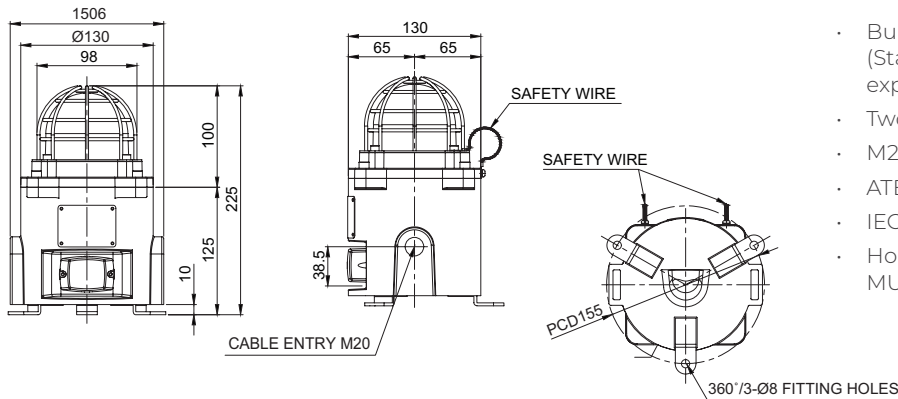
### QNES-SUS Explosion Proof Signal/Warning Light & Electric Sounder Combination

Stainless housing provides superior durability and corrosion resistance.

Model number	Voltage	Current	Sound pattern and volume	Certificates	Weight	Color
QNES-SUS	DC12V-24V	Max. 1.872A	<ul style="list-style-type: none"> <li>WS-5 Warning sounds: 110dB</li> <li>WP-5 Special warning sounds: 110dB</li> <li>WM-5 Melodies: 105dB</li> <li>WA-5 Alarms: 105dB</li> <li>WV-5 Customizable voices: 103dB</li> </ul>		7.60kg	Red Amber Green Blue
	AC110V-230V	Max. 0.301A				



## TECHNICAL DIAGRAM



## CUSTOMISATION

- Built-in explosion proof cable gland (Standard type does not provide explosion proof cable gland)
- Two way cable entries
- M20x1.5 cable entry
- ATEX certified type
- IECEx certified type
- Housing, housing cover color: MUNSSELL No. 7.5BG 7/2



## ORDERING SPECIFICATION

QNES MODEL NUMBER	WS SOUND	12/24 VOLTAGE	R COLOR	HOUSING MATERIAL	IECEx-M20
QNES	<ul style="list-style-type: none"> <li>• WS = Warning sounds</li> <li>• WP = Special warning sounds</li> <li>• WM = Melodies</li> <li>• WA = Alarms</li> <li>• WV = Customizable sounds</li> </ul>	<ul style="list-style-type: none"> <li>• 12/24 = DC12V - 24V</li> <li>• 110/230 = AC110V - 230V</li> </ul>	<ul style="list-style-type: none"> <li>• R = Red</li> <li>• A = Amber</li> <li>• G = Green</li> <li>• B = Blue</li> </ul>	<ul style="list-style-type: none"> <li>• (Blank) = Aluminium</li> <li>• SUS = Stainless</li> </ul>	

E.g. **QNES-WS-12/24 - R - IECEx-M20**

## GET IN TOUCH

1300 881 876      sales@pacificautomation.com.au  
**pacificautomation.com.au**

