

QWCD LED Strobe Signal Light & Electric Horn Combinations

A new concept of using the **horn cover as a light globe**



ADVANTAGES

- By using the horn cover as a light globe, the size of the product has been reduced significantly.
- Available in red, yellow, green, or blue.
- Product has two models: the basic model with 31 built-in sounds, and an external sound (MP3) type model.
- Includes seven different playback functions; one function is the continuous playback function which provides constant message notification.
- There are 31 built-in sounds that can be played in various environments, and supports a binary input method.
- You can save and play up to 31 MP3 files using an external SD Card.
- Easily setup the sounds using a PC.
- Polycarbonate horn cover is durable and weather resistant.
- Ideal for heavy-duty, ship, or outdoor applications requiring waterproof & dust-proof protection (IP66).

QWCD series	
QWCD35(T)	Built-in standard sound
QWCD35(T)SD	MP3(SD Card)
QWCD50	Built-in standard sound, large output sound
QWCD50SD	SD Card(MP3), Large output sound

COMMON SPECIFICATIONS

- Easily customised with built-in sound selection function, volume adjustment function, and an SD Card slot for user inputted tones.
- Easy wiring through external terminal box (QWCD35T, QWCD35TSD, QWCD50T, QWCD50TSD).
- Flashing rate: 60-80 flashes/min.
- Materials: Horn-PC, Body-PC+ABS.
- Ambient operating temperature:
 - 50°C to +60°C (Standard type)
 - 20°C to +50°C (SD Card type)
- Protection Rating: IP66
- Certificates: CE Compliant, UL Listed, CCS
- Compliant with RoHS directive.

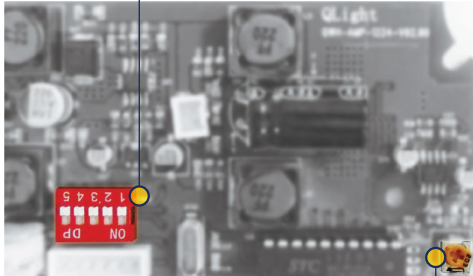
GET IN TOUCH

1300 881 876 sales@pacificautomation.com.au
pacificautomation.com.au



BUILT-IN SOUND TYPE

sound selection switch

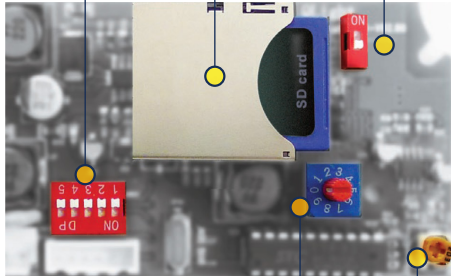


volume

SD CARD(MP3) TYPE

MP3 playable SD Card

sound selection switch sound setting switch



play mode setting switch

volume

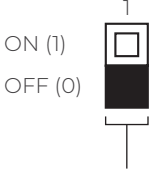
THE INPUT METHOD OF BUILT-IN SOUND TYPE

	1	2	3	4	5
No.	1	2	3	4	5
0	0	0	0	0	0
1	0	0	0	0	1
2	0	0	0	1	0
:	:	:	:	:	:
31	1	1	1	1	1

Built-in sound type model supports Binary input mode which provides a selection of 31 different input combinations for five kinds of sounds.

You can only select 2 numbers with 1 switch; "0", "1". With 5 switches you can have 31 combinations. Selecting one sound from 5 switches is the Binary input method.

THE SOUND SELECTION METHOD OF SD CARD TYPE



The sound selection
0 : Select built-in sound
1 : Select SD Card

- 31 built-in special warning sounds
- Supports SD Card (MP3)
- Binary Input: 31Ch
- Bit Input: 5Ch (SD Card only)
- A multi-functional product that can play MP3 files using an SD Card
- Please refer to Page 144 in the manual for detailed settings
- Built-in sound is set to #1 as default

SPECIFICATIONS

QWCD35 SERIES



Model number	Voltage	Current	Sound Pattern and Volume	Certificates	Weight	Color
QWCD35 Built-in standard sound	DC12V-24V	MAX.1.300A	Bit Input: 5Ch (SD Card) Binary Input: 31Ch Warning Sounds: 115dB	CE CCS UL	1.10kg	Red Amber Green Blue
	AC110V-220V	MAX.0.350A				
QWCD35SD MP3	DC12V-24V	MAX.1.200A	MP3 Messages: 113dB	DC only	1.15kg	
	AC110V-220V	MAX.0.310A				

QWCD50 SERIES



Model number	Voltage	Current	Sound Pattern and Volume	Certificates	Weight	Color
QWCD50 Built-in standard sound	DC12V-24V	MAX. 5.450A	Bit Input: 5Ch (SD Card) Binary Input: 31Ch Warning Sounds: 123dB	CE UL	2.70kg	Red Amber Green Blue
	AC110V-220V	MAX.0.900A				
QWCD50SD MP3	DC12V-24V	MAX.3.800A	MP3 Messages: 118dB	DC only	3.00kg	
	AC110V-220V	MAX.0.720A				

* DC type model has a free-voltage range of 10V-30V.
* AC type model has a free-voltage range of 100V-240V

GET IN TOUCH

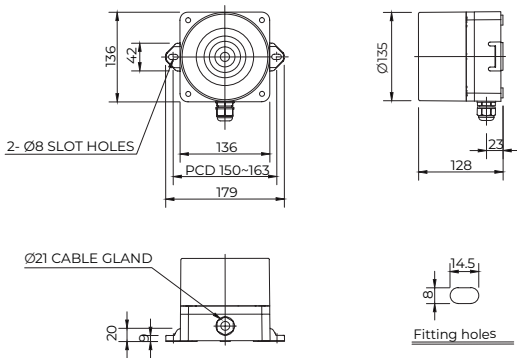
1300 881 876 sales@pacificautomation.com.au
pacificautomation.com.au



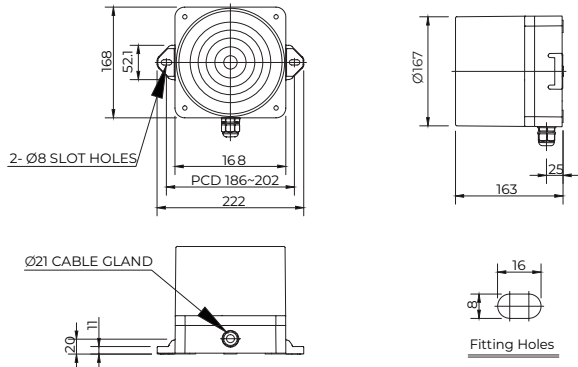


TECHNICAL DIAGRAM

QWCD35 / QWCD35SD



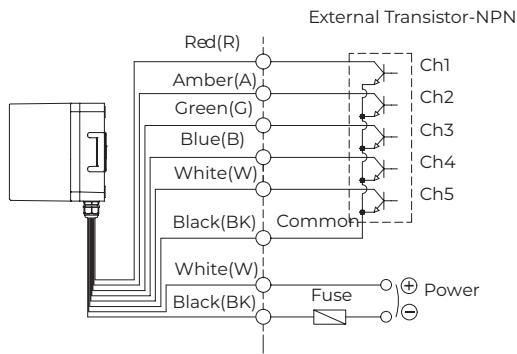
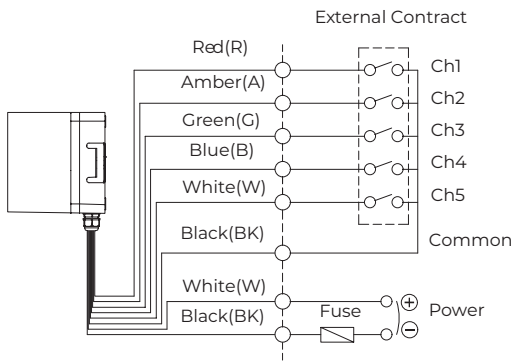
QWCD50 / QWCD50SD



WIRING INSTRUCTION

- Standard specification: Uses internal switches
- Customization: Uses external contact
- Wiring to external contact and transistor
- Wiring to transistor, use the NPN transistor
- Power line standard UL1015 AWG18(0.75sq)×2C 400mm
- Signal line standard UL1007 AWG22(0.3sq) 400mm

- DC type: Black output line is negative (-)
 - Channel selection: Bit input, 5 sound tones for each group
 - Binary input 31 sound tones output
- * Please refer to Page 146 in the manual for set of channel input. (If wiring is changed by channel selection switch)



CUSTOMISATION: External sound selection line (Model number: -LC)



ORDERING SPECIFICATION

QWCD50 MODEL NUMBER	110/220 VOLTAGE	R COLOR	LC SOUND SELECTION
QWCD50 QWCD50SD	• 12/24 = DC12V - 24V • 110/230 = AC110V-220V	• R = Red • A = Amber • G = Green • B = Blue	• (Blank) – Standard type • LC Type – Uses external contact

GET IN TOUCH

1300 881 876 sales@pacificautomation.com.au
pacificautomation.com.au

