

Hour meters / timers, electronic

LCD hour meters	Max. time range 99999 h 59 min or 99999.99 h	Codix 134
------------------------	---	------------------



The Codix 134 is a simple battery-powered hour meter for PNP, NPN and high voltage applications.

Its 7-digit LCD display with optional backlighting can display various time ranges.



Battery powered	Timer	Input type	Pulse voltage 4 ... 30 V	Pulse voltage 10 ... 260 V	Temperature range -10°... +60°C	High protection level IP65	DIN front bezel DIN 48x24	LCD display 7 LCDs	Lockable reset

Powerful

- High quality LCD display with 8 mm high figures – optional display backlighting.
- Time range hours with minutes or industry minutes
1 pulse = 36 sec programmable via control input.
- Battery lifetime 8 years.
- High voltage versions for 10 ... 260 V AC/DC voltage pulses, thus to be connected directly via contactors, relays and motors.
- Very high accuracy: 100 ppm.

Simple

- Screw terminals, RM 5 mm.
- Reset key lockable via the input 'Reset Enable'.
- According to version for PNP, NPN switching level or high voltage version for 10 ... 260 V AC/DC switching voltage.
- Accumulated time is always readable thanks to battery powering.
- High protection level IP65.

Order code	6.134 . 012 . 8XX
	<small>a b</small>

a Backlighting
5 = without ¹⁾
6 = with

b Input type: operating hours counting

Input type	INP A		INP B	
0 = adding ¹⁾	–		0 ... 0.7 V DC	NPN
1 = adding ¹⁾	–		4 ... 30 V DC	PNP
3 = adding ¹⁾	10 ... 260 V AC/DC	AC/DC	10 ... 260 V AC/DC	AC/DC

Delivery specification

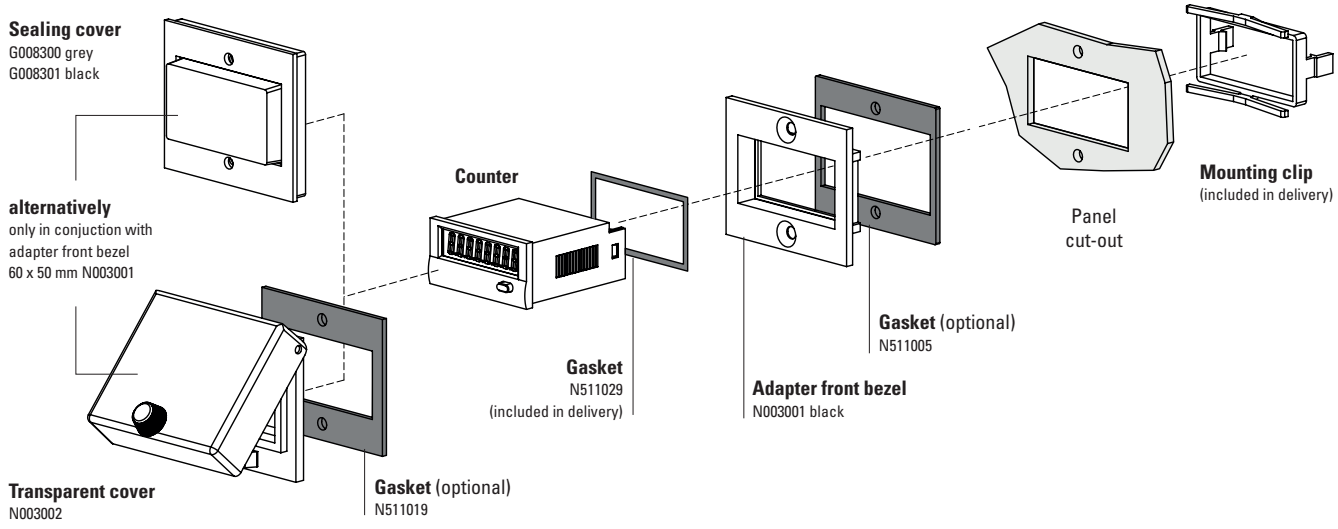
- Timer
- Mounting clip
- Front bezel for screw mounting (T008181) 56 x 40 mm [2.20 x 1.57"], panel cut-out 50 x 25 mm [1.97 x 0.98"]
- Front bezel for clip mounting (T008180) 53 x 28 mm [2.09 x 1.10"], panel cut-out 50 x 25 mm [1.97 x 0.98"]
- Gasket
- Instruction manual, multilingual

1) Stock types

Hour meters / timers, electronic

LCD hour meters	Max. time range 99999 h 59 min or 99999.99 h	Codix 134
------------------------	---	------------------

Accessories / Mounting examples



		Type / size	Description		Order no.	suitable gasket
Adapter front bezel		53 x 28 mm [2.09 x 1.10"]	for cut-out 50 x 25 mm [1.97 x 0.98"] to cut-out 45 x 22.2 mm [1.77 x 0.94"]	grey black anthracite	T008164 T008165 T008180	N511015
		56 x 40 mm [2.20 x 1.57"]	for cut-out 50 x 25 mm [1.97 x 0.98"] to cut-out 45 x 22.2 mm [1.77 x 0.94"] screw mounting	black anthracite	T008161 T008181	N511045
		72 x 36 mm [2.83 x 1.42"]	for cut-out 68 x 33 mm [2.68 x 1.30"] to cut-out 45 x 22.2 mm [1.77 x 0.94"]	black and silver anodised as set	162704Set	–
		60 x 50 mm [2.36 x 1.97"]	for cut-out 54 x 29 mm [2.13 x 1.14"] to cut-out 45 x 22.2 mm [1.77 x 0.94"] screw mounting	black	N003001	N511005
		48 x 48 mm [1.89 x 1.89"]	for cut-out 45 x 45 mm [1.77 x 1.77"] to cut-out 45 x 22.2 mm [1.77 x 0.94"]	black	T008883	–
Sealing cover IP65		K1	only in conjunction with adapter front bezel 60 x 50 mm N003001	transparent / grey transparent / black	G008300 G008301	–
Transparent cover IP65		1 Dv (mounted on bezel)	cover lockable, for cut-out 54 x 29 mm [2.13 x 1.14"], only in conjunction with adapter front bezel 60 x 50 mm N003001	transparent / black	N003002	N511019
Gasket counter			48 x 24 mm (for installation in adapter front bezel) 49 x 25 mm		N511029 N511034	
Mounting frame		cut-out 50 x 25 mm [1.97 x 0.98"]	via adapter T008180 for snap-on mounting on 35 mm [1.38"] top-hat DIN rail	chromated	G300004	–
Enclosure blind		48 x 24 mm [1.89 x 0.94"]	for cut-out 45 x 22.2 mm [1.77 x 0.94"] and cut-out 50 x 25 mm [1.97 x 0.98"]	anthracite	G003836	–

incl. in delivery

Hour meters / timers, electronic

LCD hour meters	Max. time range 99999 h 59 min or 99999.99 h	Codix 134
------------------------	---	------------------

Technical data

General technical data	
Display	LCD, 7 digits, 8 mm [0.31"] high
Backlighting	external electrical source 24 V DC $\pm 20\%$, 50 mA
Modes	adding
Display range	see next page
Reset	manual and electrical
Working temperature	-10 °C ... +55 °C [+14 °F ... +131 °F] (non-condensing)
Operating temperature	-10 °C ... +60 °C [+14 °F ... +140 °F] (non-condensing)
Storage temperature	-20 °C ... +70 °C [-4 °F ... +158 °F]
Relative humidity	< 85 % (non-condensing)
Altitude	up to 2000 m [6562']

Electrical characteristics	
Supply voltage	internal lithium battery approx. 8 years at 20 °C [68 °F]
Device safety	designed to EN 61010 part 1 protection class 2 application area pollution level 2
Measuring error	per Start/Stop cycle a maximum error in the order of the smallest measuring time selected can occur

Mechanical characteristics	
Housing	dark grey RAL 7021
Protection	IP65 (front side)
Weight	approx. 50 g [1.76 oz]

Count input	
A. Timer inputs DC versions (max. 30 V DC) INP B	
Timer input	NPN or PNP depending on the type (see table)
Switching level	NPN LOW: 0 ... 0.7 V DC HIGH: 3 ... 30 V DC
	PNP LOW: 0 ... 0.7 V DC HIGH: 4 ... 30 V DC
Counting start	NPN for LOW signal at the timer input PNP for HIGH signal at the timer input
B. Timer inputs high voltage versions (10 ... 260 V DC/V AC) INP A	
Timer input	optocoupler input
Min. pulse time	16 ms
Switching level	LOW: 0 ... 2 V DC/V AC HIGH: 10 ... 260 V DC/V AC
Counting start	for HIGH signal at the timer input
C. Time range change (Mode)	
Contact input	open collector (switching at 0 V) NPN LOW 0 ... 0.7 V DC HIGH 3 ... 5 V DC
Time range	depending on the circuit (s. order inform.)
D. Reset input for DC (reset) and High voltage (INPB)	
Min. pulse time	DC 50 ms High voltage 16 ms
Contact input DC	NPN LOW 0 ... 0.7 V DC HIGH 3 ... 30 V DC
High voltage input	10 ... 260 V AC/DC
E. Reset locking input (for DC and AC)	
Electrical reset key locking	
Input not active	reset key locked
Contact input	open collector NPN (switching at 0 V)
Switching level	NPN LOW 0 ... 0.7 V DC HIGH 3 ... 5 V DC

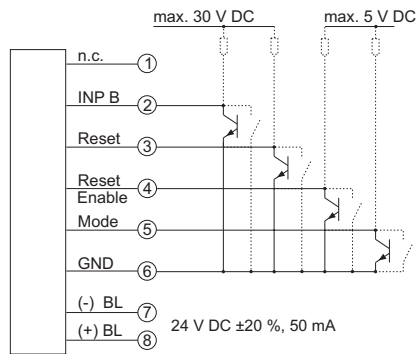
Approvals	
UL compliant in accordance with	File no. E128604
CE compliant in accordance with	
EMC Directive	2014/30/EU
RoHS Directive	2011/65/EU
Low Voltage Directive	2014/35/EU

Hour meters / timers, electronic

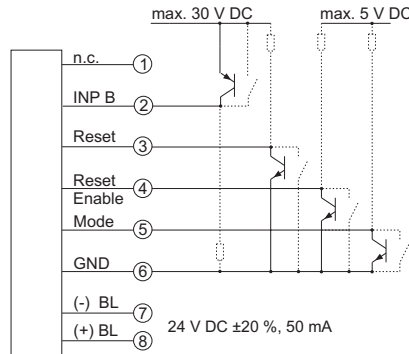
LCD hour meters	Max. time range 99999 h 59 min or 99999.99 h	Codix 134
------------------------	---	------------------

Terminal assignment

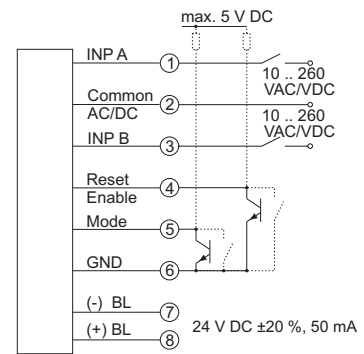
DC type: 6.134.012.8x0



DC type: 6.134.012.8x1



AC type: 6.134.012.8x3



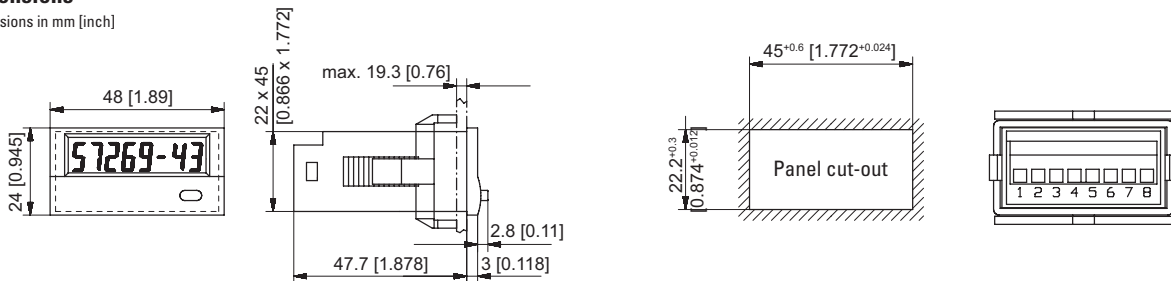
BL = backlighting

Display and time ranges

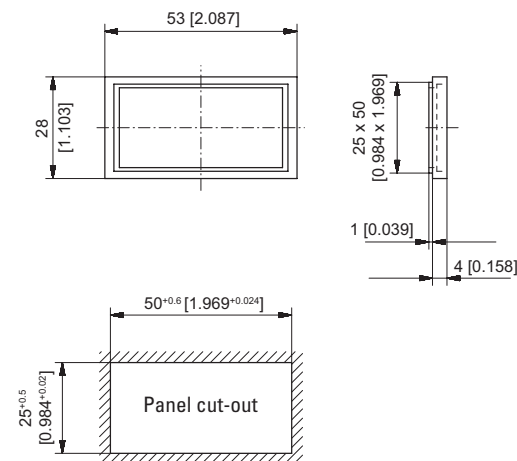
time range	display
99999 h 59 m	99999 - 59
99999.99 h	99999 - 99

Dimensions

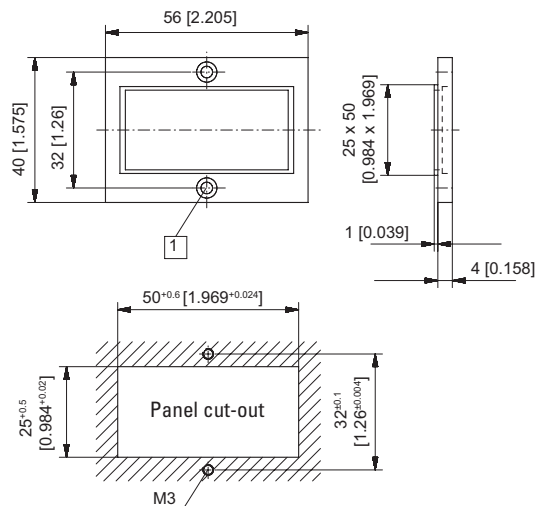
Dimensions in mm [inch]



Front bezel for clip mounting (included in delivery)



Front bezel for screw mounting (included in delivery)



□ Countersinking Af3, DIN 74