

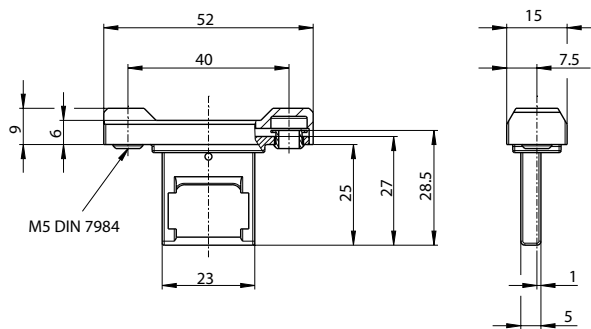
Actuator for SK, SKI, SKT

Actuator M1



Product selection

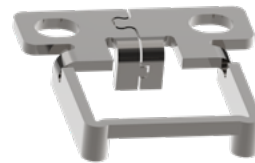
Article number	Designation
6016999190	Actuator M1



Mechanical data

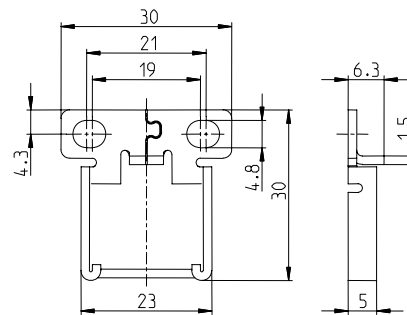
Actuator/Cap	St-Niro/Thermoplastic PA
Minimum actuating radius	R_{min} 150 mm

Actuator M2



Product selection

Article number	Designation
6016999191	Actuator M2



Mechanical data

Actuator	St-Niro
Minimum actuating radius	R_{min} 150 mm

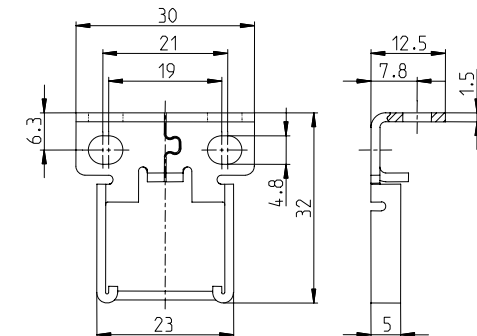
Fastening 90° offset to the actuating direction

Actuator M3



Product selection

Article number	Designation
6016999192	Actuator M3



Mechanical data

Actuator	St-Niro
Minimum actuating radius	R_{min} 150 mm

Fastening in actuation direction

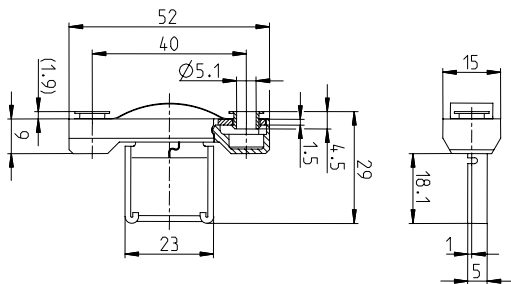
The respective actuator is not included in the scope of delivery of the guard locking and must be ordered separately.

Actuator M4



Product selection

Article number	Designation
6016999193	Actuator M4



Mechanical data

Actuator/Cap	St-Niro/Thermoplastic PA
Minimum actuating radius	R_{min} 150 mm

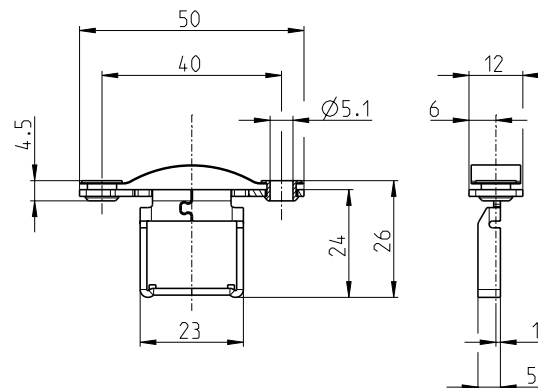
Fastening in actuating direction, with cover and spring

Actuator M5



Product selection

Article number	Designation
6016999194	Actuator M5



Mechanical data

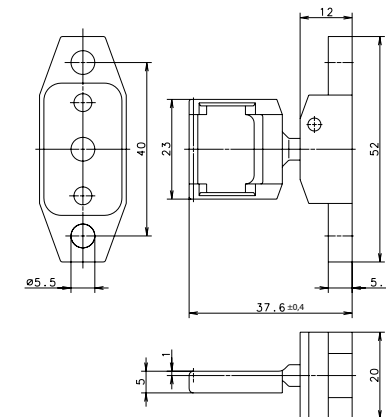
Actuator	St-Niro
Minimum actuating radius	R_{min} 150 mm

Actuator M6



Product selection

Article number	Designation
6016999195	Actuator M6



Mechanical data

Actuator	St-Niro/Brass
Minimum actuating radius	R_{min} 50 mm

Developed for swivel actuation (hook latch), slightly spring-loaded, actuation radius can be preset.